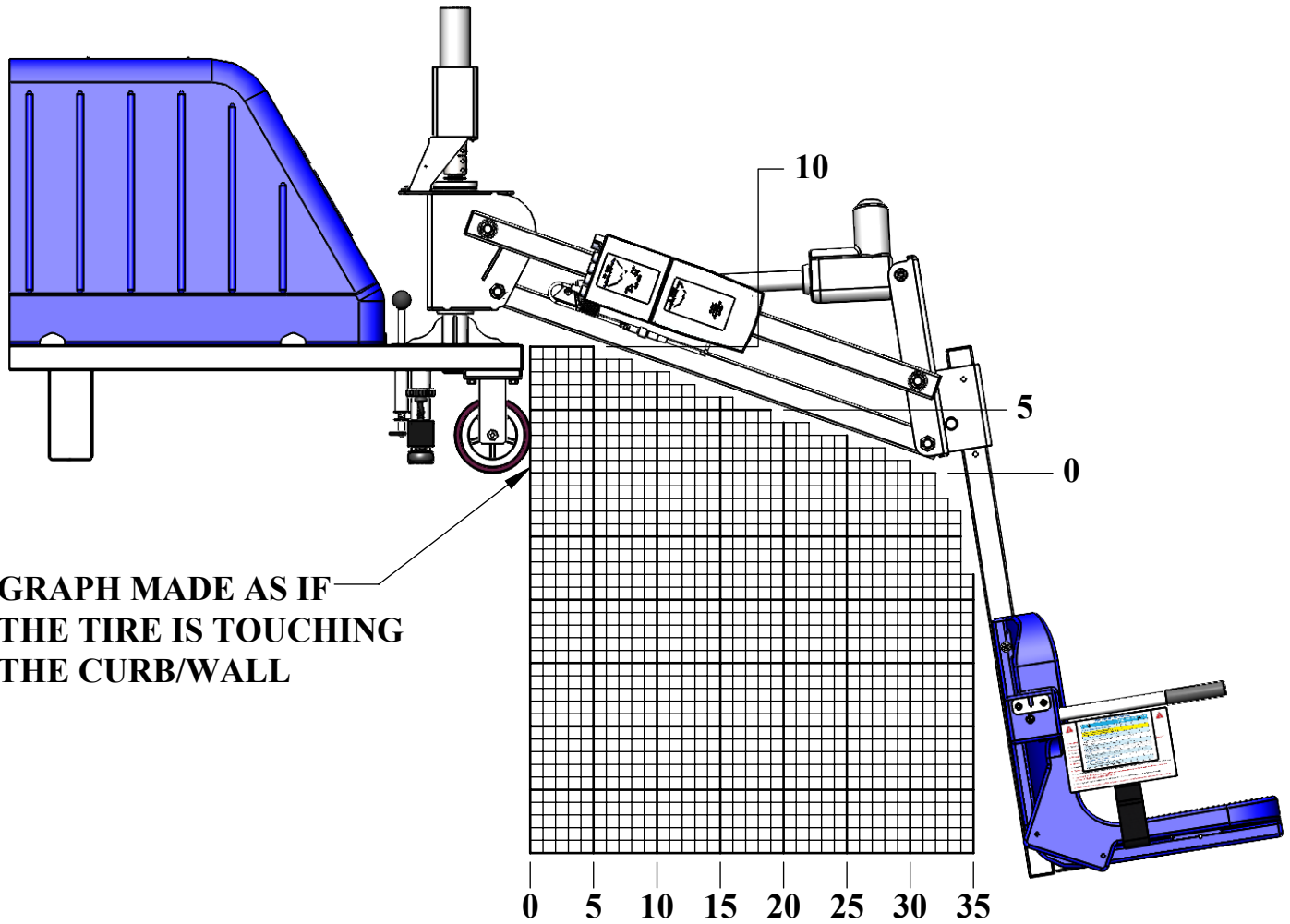


VOYAGER GRAPH CHART

DRAW YOUR PROFILE ON THE GRAPH USING THE FRONT OF THE WHEELS AS YOUR STARTING POINT. ALL GRAPH LINES ARE IN 1" INCREMENTS.



**GRAPH MADE AS IF
THE TIRE IS TOUCHING
THE CURB/WALL**



NOTE:
*SPECIFICATIONS ARE SUBJECT TO CHANGE WITHOUT NOTICE

PRODUCT:		VOYGER LIFT	
PART #:		F-VGRPL	
SCALE:	1:14	DATE:	9/10/2020
DRAWN BY:	KR	REVISION:	00