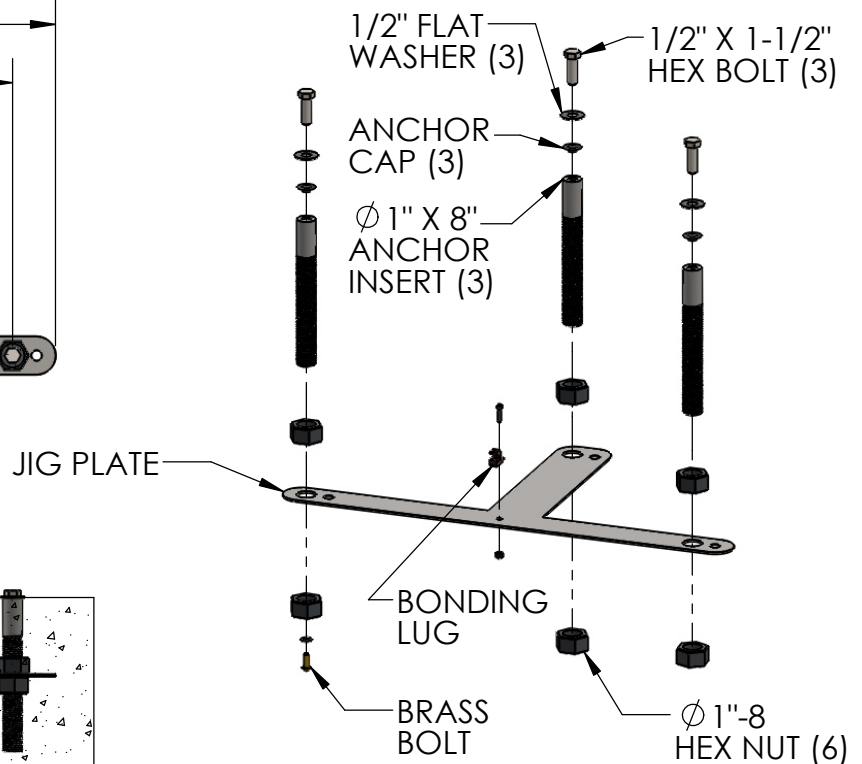
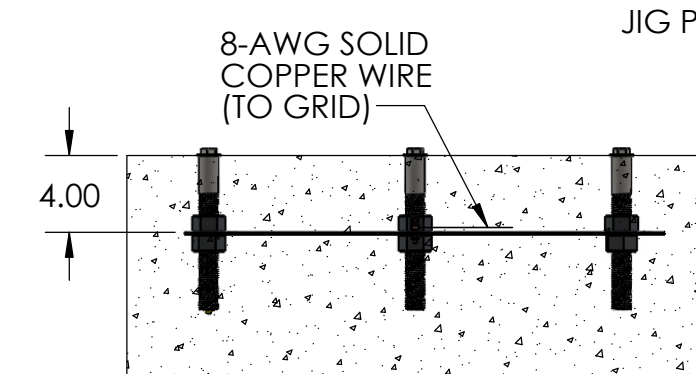
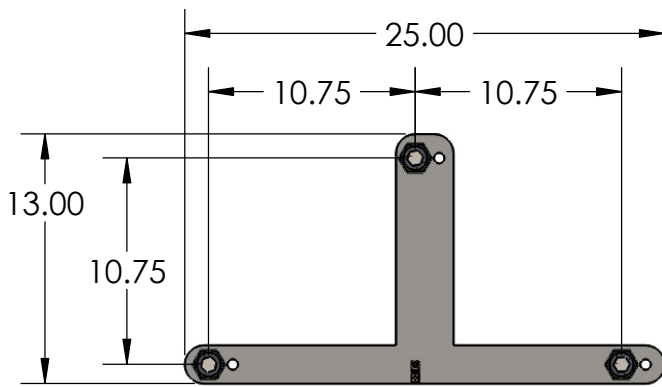


SPA LIFT ELITE/ULTRA ANCHOR KIT



PURPOSE:

FOR NEW OR RETROFIT INSTALLATION OF THE ADA COMPLIANT SPA LIFT ON ABOVE GROUND OR PARTIALLY RAISED POOLS AND SPAS. FOLLOW PRODUCT INSTALLATION INSTRUCTIONS.

TESTING & SAFETY:

INDEPENDENTLY VERIFIED TO MEET 2009 INTERNATIONAL BUILDING CODE, THE 2010 CALIFORNIA BUILDING CODE, AND ASCE7-05 WITH A SAFETY FACTOR OF 1.2 FOR THE DEAD LOAD AND 1.6 FOR THE LIVE LOAD WHEN INSTALLED ACCORDING TO INSTRUCTIONS. STRUCTURAL CALCULATIONS AVAILABLE UPON REQUEST.

INSTALLATION:

FOR INSTALLATION INTO REBAR REINFORCED CONCRETE POOL DECKS NO SMALLER THAN 3'-3" SQUARE BY 10" DEEP. REFER TO LIFT INSTALLATION INSTRUCTIONS FOR SPECIFICS. MUST BE BONDED ACCORDING TO NEC ARTICLE 680. OTHER CODES MAY APPLY; CHECK YOUR LOCAL CODE ENFORCEMENT AGENCY FOR SPECIFICS AND PERMIT REQUIREMENTS.



NOTE:
*SPECIFICATIONS ARE SUBJECT TO CHANGE WITHOUT NOTICE

| | | |
|-----------|--------------------|-------------------------|
| PRODUCT: | F-SPAACK8 | |
| DWG #: | F-SPAACK8-1 | |
| SCALE: | 1:10 | DATE: 12/19/2016 |
| DRAWN BY: | KR | REVISION: A |