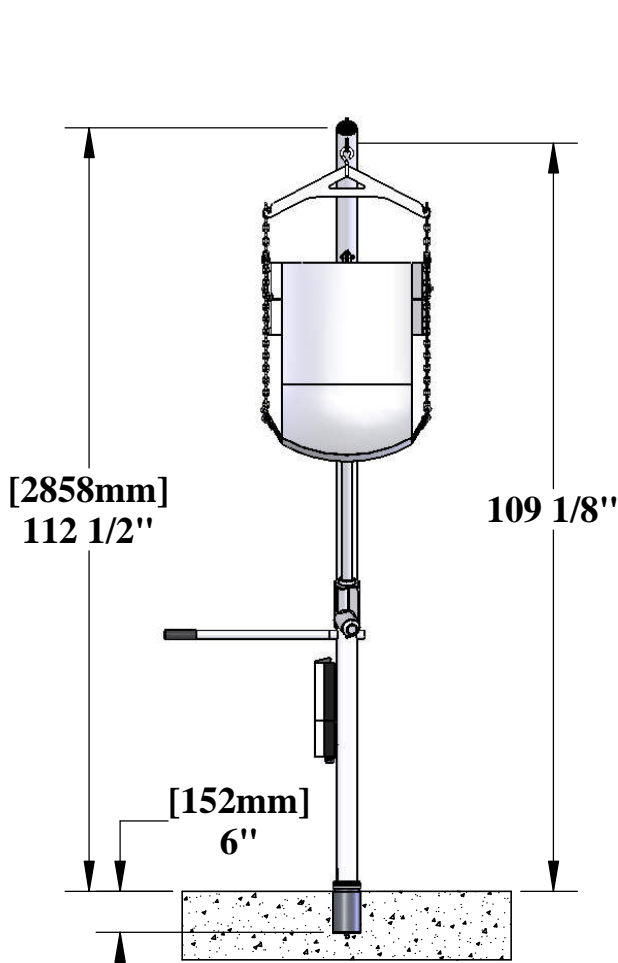
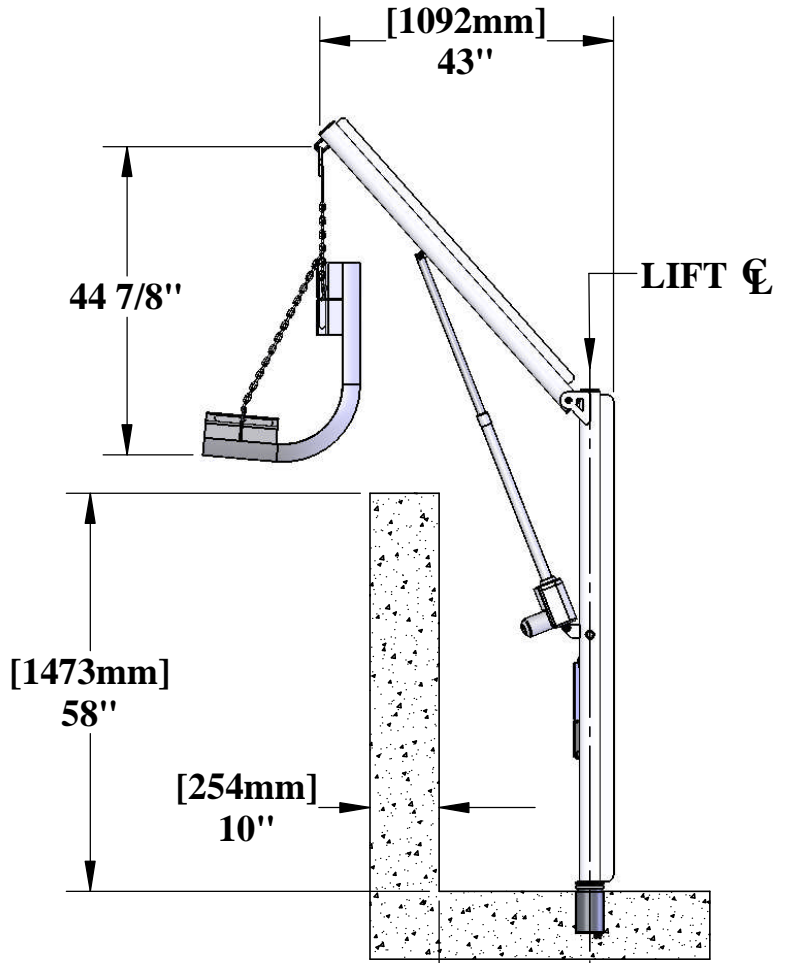


SUPER POWER-EZ LIFT

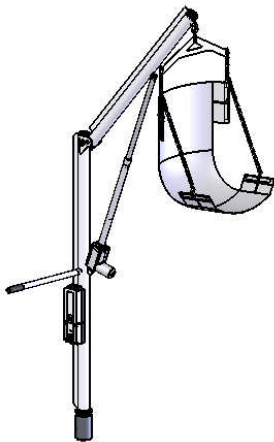


FRONT VIEW

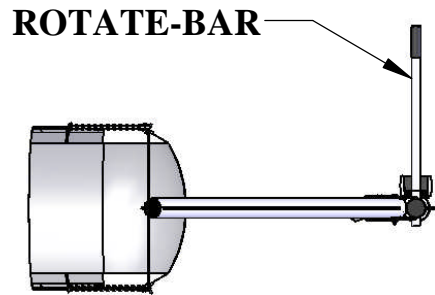


**[533mm - 610mm]
21" MIN - 24" MAX
SETBACK**

SIDE VIEW



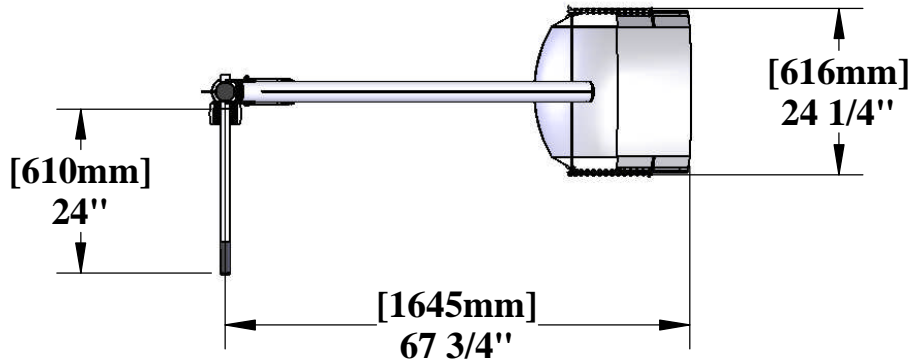
ISOMETRIC VIEW



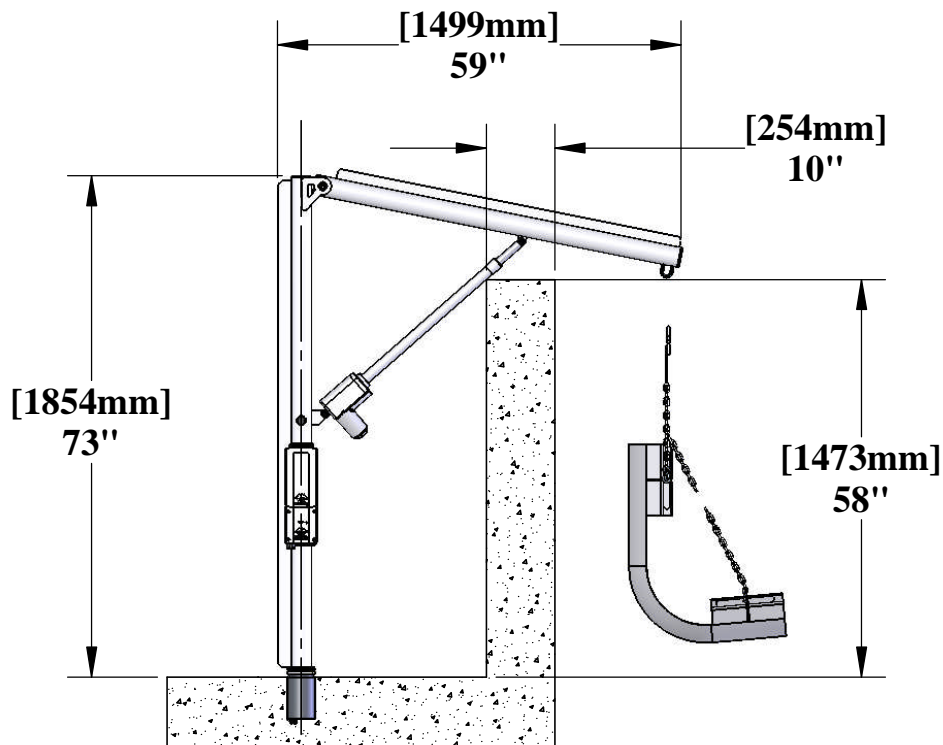
TOP VIEW

PRODUCT:	
DWG #:	
SCALE: 1:28	DATE: 10/31/14
DRAWN BY: KR	REVISION: E

SUPER POWER-EZ LIFT



TOP VIEW
(LIFT IN WATER)



SIDE VIEW
(LIFT IN WATER)

PRODUCT:	
DWG #:	
SCALE:	1:28
DATE:	10/31/14
DRAWN BY:	KR
REVISION:	E

SUPER POWER-EZ LIFT

SPECIFICATIONS:

LIFTING CAPACITY: 400 lbs [181 kg]
STATIC LOAD CAPACITY: 600 lbs [272 kg]

MAX. SETBACK (SEE PAGE 1): 24" [610mm]

OVERALL HEIGHT (MAX): 112 1/2" [2857.5mm]
MAX. WIDTH (DEPLOYED): 24 1/4" [616mm]
MAX. LENGTH (DEPLOYED): 59" [1499mm]

WEIGHT: 70 lbs [32kg]

MATERIALS:

MAST & BOOM ARM: TYPE 304 STAINLESS STEEL
CHAINS: TYPE 316 STAINLESS STEEL
SLING: 100% POLYESTER MESH
POWDER COATING: OFF-WHITE POLYESTER [PN: 1PC-108-1912 BX50]

STANDARD EQUIPMENT:

24V BATTERY & CHARGER
ROTATE BAR
CHAIN SET & SLING BARS
MESH SLING

ELECTRONICS COVER
HANGER BAR
WATER RESISTANT HANDSET/REMOTE

ACCESSORIES:

HARD SEAT OPTION
LOCKABLE COVER
YOUTH SLING
EXTRA LENGTH SLING
UPGRADE PACK

HARD SEAT COVER
ADULT SLING WITH SEATBELT
YOUTH SLING WITH SEATBELT
RIGID SEAT WITH SEATBELT



NOTE:
*SPECIFICATIONS ARE SUBJECT TO CHANGE WITHOUT NOTICE

PRODUCT:	F-190PHBL	
DWG #:	F-190PHBL-1	
SCALE:	1:1	DATE: 10/31/14
DRAWN BY:	KR	REVISION: E