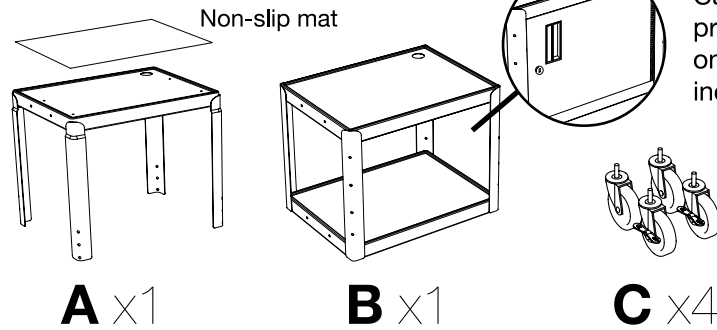


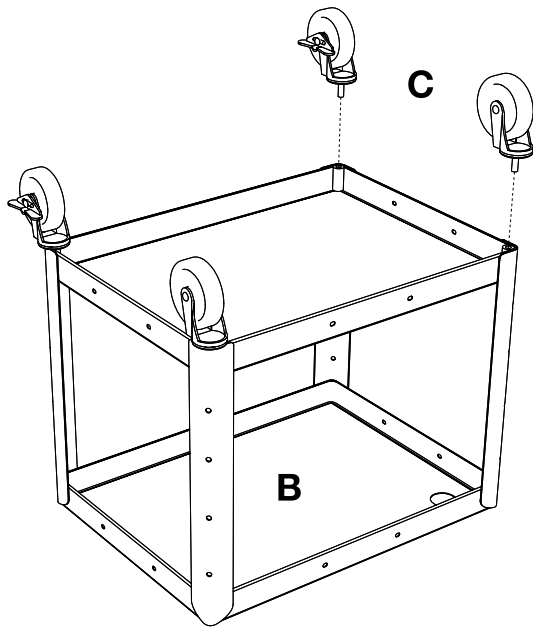
## Adjustable Height Metal Cart Instructions

### Parts List



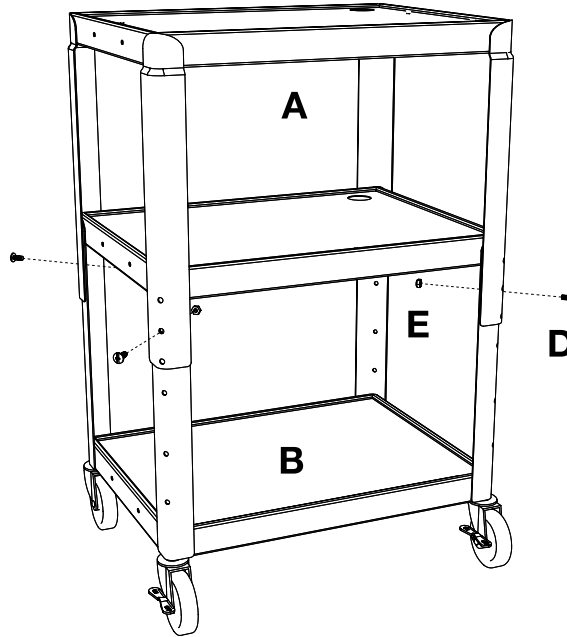
### Tools Required

- Phillips Screwdriver
- Rubber Mallet
- Pliers or Adjustable Wrench



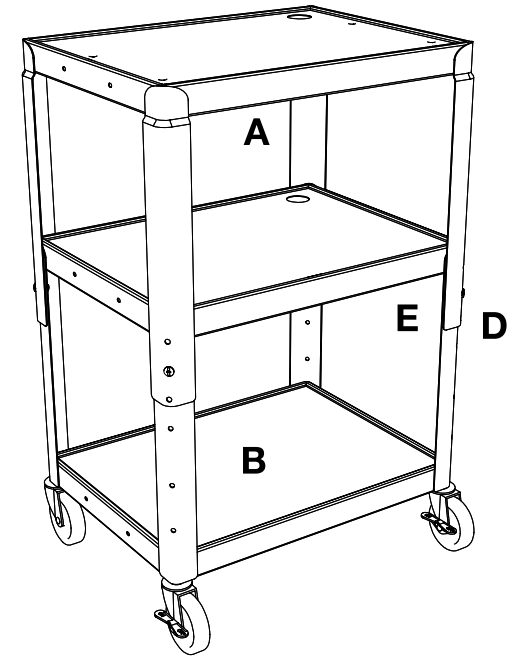
**1**

Position the bottom shelf **B** so that the caster holes are facing up. Insert caster **C** into the caster holes on the bottom of shelf **B**. Use a mallet to set the casters properly.



**2**

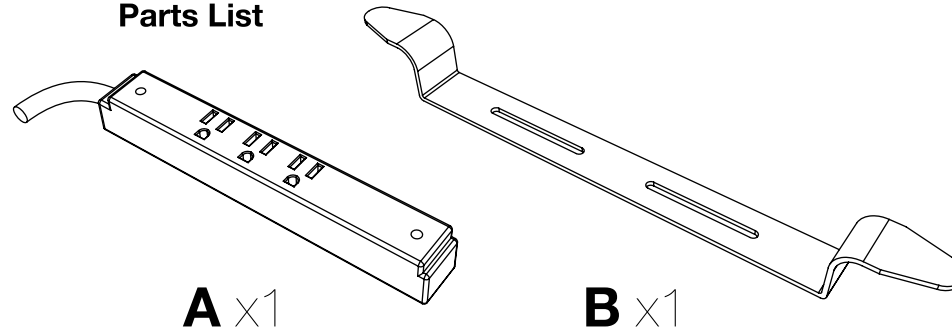
Flip bottom shelf **B** so that it is on its side. Set top shelf **A** so that it overlaps bottom shelf **B**. Align the screw holes so that the top shelf **A** is at the desired height.



**3**

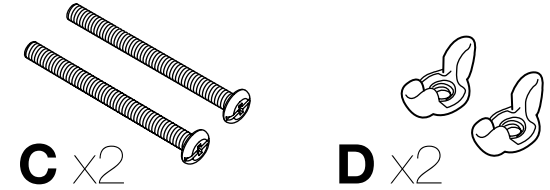
Insert screw **D** through the aligned screw hole of **A** and **B** and fasten nut **E** with pliers and screwdriver. Place Non-slip mat on desired shelf. The cart is now complete.

## Parts List



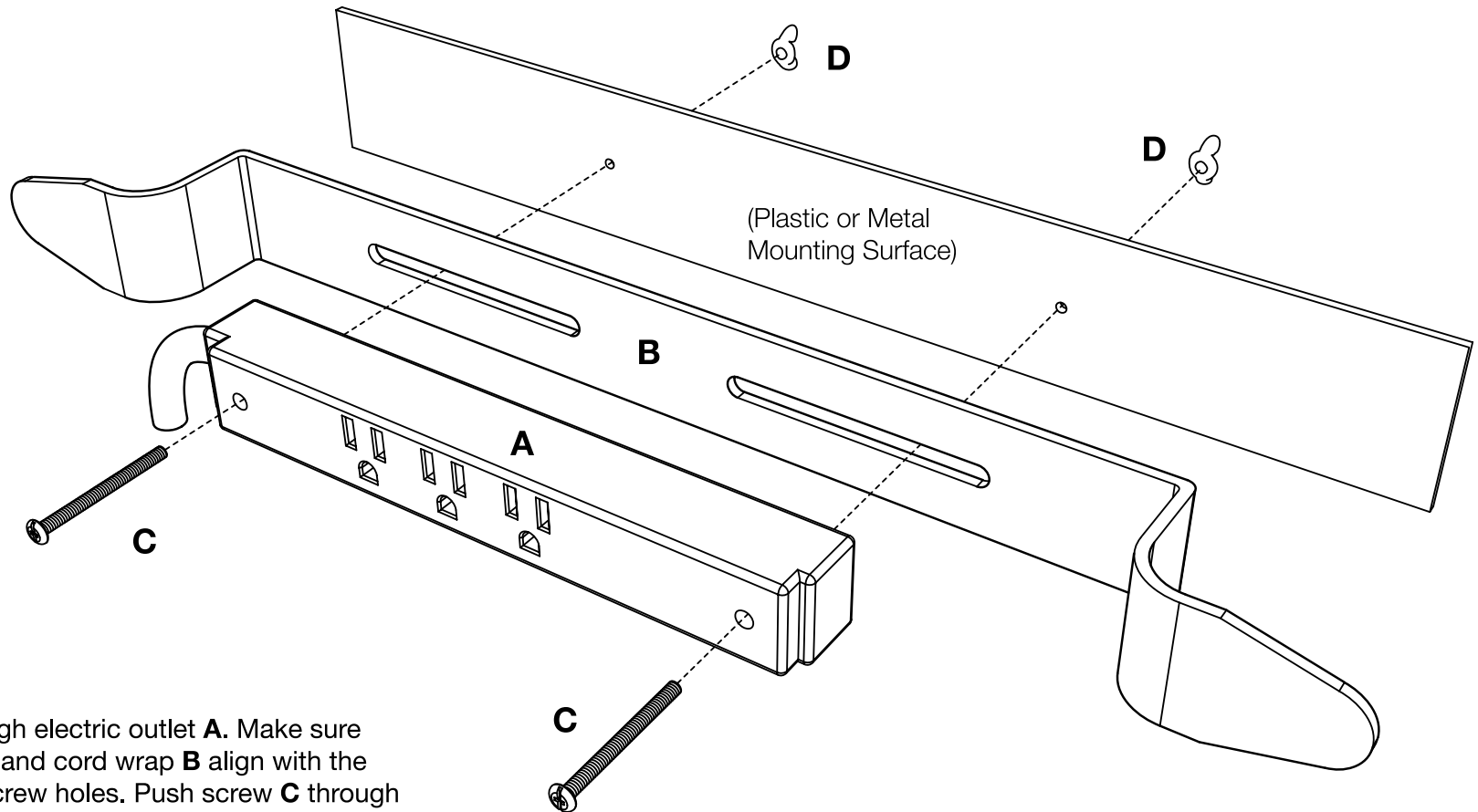
## Tools Required

- Screwdriver



## Electric Assembly Instructions

Number of outlets may vary.



1

Push screw **C** through electric outlet **A**. Make sure the electric outlet **A** and cord wrap **B** align with the mounting surface screw holes. Push screw **C** through cord wrap **B** and the mounting surface screw holes. Use wing nut **D** and screwdriver to fasten.