

**Everest & Jennings**  
by graham-field



## **Rehab Shower Commode Operation Manual**

**EJ\_12022-12023-INS-LAB-RevF21**

**Rehab Shower Commode user and attendant:  
Read this manual before operating the Rehab Shower Commode.  
Save this manual for future reference.**

**⚠ WARNING: Rehab Shower Commode user and attendant: Do not operate the Rehab Shower Commode without first reading and understanding this manual. If you do not understand the warnings, cautions, and instructions provided herein, contact your healthcare professional, GF authorized distributor, or technical representative before proceeding with the use of this product; otherwise personal injury or damage to your Rehab Shower Commode could result.**

## **CONTENTS**

<b>1</b>	<b>INTRODUCTION .....</b>	<b>3</b>
	<b>INTENDED USE .....</b>	<b>3</b>
	<b>STATEMENTS OF SIGNIFICANCE .....</b>	<b>3</b>
<b>2</b>	<b>IMPORTANT SAFETY PRECAUTIONS .....</b>	<b>4</b>
	<b>WARNINGS .....</b>	<b>4</b>
<b>3</b>	<b>OPERATION.....</b>	<b>6</b>
	<b>GETTING STARTED .....</b>	<b>6</b>
	<b>ASSEMBLING THE REHAB SHOWER COMMODE .....</b>	<b>6</b>
	<b>OPERATION.....</b>	<b>8</b>
	<b>OPERATING THE WHEEL LOCKS .....</b>	<b>8</b>
	<b>REMOVING AND INSTALLING DETACHABLE ARMS .....</b>	<b>8</b>
	<b>REMOVING AND INSTALLING DETACHABLE FOOTRESTS.....</b>	<b>8</b>
	<b>HANDLING TIPS.....</b>	<b>9</b>
	<b>TO ATTENDANT .....</b>	<b>9</b>
	<b>BALANCE .....</b>	<b>9</b>
	<b>TRANSFER ACTIVITIES.....</b>	<b>9</b>
	<b>FOR ATTENDANT: TILTING .....</b>	<b>10</b>
	<b>RAMPS AND INCLINES .....</b>	<b>10</b>
	<b>THRESHOLDS AND STEPS.....</b>	<b>10</b>
<b>4</b>	<b>ADJUSTMENTS.....</b>	<b>12</b>
	<b>ADJUST CASTERS .....</b>	<b>12</b>
	<b>TIGHTEN CROSSBRACES.....</b>	<b>12</b>
	<b>ADJUST FOOTPLATE EXTENSION LENGTH .....</b>	<b>12</b>
	<b>ADJUST WHEEL LOCKS.....</b>	<b>12</b>
<b>5</b>	<b>TRANSPORTING THE REHAB SHOWER COMMODE .....</b>	<b>13</b>
	<b>PREPARING THE REHAB SHOWER COMMODE FOR TRANSPORT .....</b>	<b>13</b>
	<b>REASSEMBLY .....</b>	<b>13</b>
<b>6</b>	<b>MAINTENANCE .....</b>	<b>14</b>
<b>7</b>	<b>TROUBLESHOOTING .....</b>	<b>17</b>
<b>8</b>	<b>SPECIFICATIONS.....</b>	<b>17</b>
<b>9</b>	<b>LIMITED WARRANTY.....</b>	<b>18</b>
<b>10</b>	<b>INDEX.....</b>	<b>19</b>

# 1 INTRODUCTION

Thank you for choosing an Everest & Jennings product. We at GF Health Products, Inc. wish to assure you of our continuing commitment to provide innovation and quality in our products. Important safety, operating, and maintenance instructions that warrant the attention of both user and attendant are included in this operation manual. Read the entire manual carefully before operating your new Rehab Shower Commode, keep it handy for future reference, and refer to it as often as necessary to help maintain good performance standards.

Consult your healthcare professional and GF authorized distributor for assistance in developing and learning safe and effective techniques for performing your daily activities according to your individual physical abilities and needs, and to make certain that your Rehab Shower Commode is properly prescribed and adjusted for your use.

The safety precautions in this manual are general warnings intended to be used only as basic guidelines. You may find it necessary to develop your own methods for safely solving frequently encountered challenges. Again, consult your professional medical advisors for their recommendations about safety methods, and never hesitate to ask for their assistance.

Your Rehab Shower Commode should receive frequent, regularly scheduled maintenance, including an inspection of the mechanical parts, to ensure proper operation. Some suggested inspection procedures, troubleshooting procedures, and adjustment procedures are included in this manual. When it comes to service and repair, remember that your GF authorized distributor knows your Rehab Shower Commode best.

The person performing adjustments on the Rehab Shower Commode has the responsibility of making certain that the user can safely operate the Rehab Shower Commode with the adjustments selected. This person must evaluate the user's ability, weight, physical condition, the environment in which the Rehab Shower Commode will be used, and the terrain over which the Rehab Shower Commode will travel.

## INTENDED USE

The Rehab Shower Commode is a manual folding wheelchair suitable for frequent users who require a lightweight, portable wheelchair, fitted to their anatomy, without the need of customization or alteration to the center of gravity. The Rehab Shower Commode is intended for indoor use as a personal hygiene device and may be positioned over a standard toilet or used as a portable, self-contained commode. The Rehab Shower Commode is not intended for outdoor use.

## STATEMENTS OF SIGNIFICANCE

Please note the following special statements, used throughout this manual, and their significance:

- ⚠ WARNING: Indicates a potential hazard situation or unsafe practice that, if not avoided, could result in death or serious injury.**
- ⚠ CAUTION: Indicates a potential hazard or unsafe practice that, if not avoided, could result in minor or moderate personal injury.**
- ▲ NOTICE: Indicates a potential hazard or unsafe practice that, if not avoided, could result in product or property damage.**

*Info: Provides application recommendations or other useful information to ensure that you get the most from your product.*

## 2 IMPORTANT SAFETY PRECAUTIONS

**IMPORTANT SAFETY PRECAUTIONS: ALWAYS FOLLOW THESE SAFETY PRECAUTIONS WHEN USING YOUR REHAB SHOWER COMMUNE. FAILURE TO DO SO COULD RESULT IN PERSONAL INJURY TO YOU OR OTHERS OR DAMAGE TO YOUR REHAB SHOWER COMMUNE.**

Safety requires the constant attention of the Rehab Shower Commune user and the attendant. It is extremely important to learn and always use safe methods of performing basic daily activities. Always consult your healthcare professional to determine those methods most suitable for your individual abilities.

Protect yourself and your Rehab Shower Commune by having your Rehab Shower Commune serviced regularly. Whenever any part of your Rehab Shower Commune is not functioning properly, contact your GF authorized distributor immediately, as a hazardous situation could result, causing personal injury or damage to your Rehab Shower Commune. **ONLY EXCELLENT CONDITION IS ACCEPTABLE WHERE SAFETY IS CONCERNED.** Periodic inspection, adjustment, and replacement of worn parts will provide many years of superb performance.

### WARNINGS

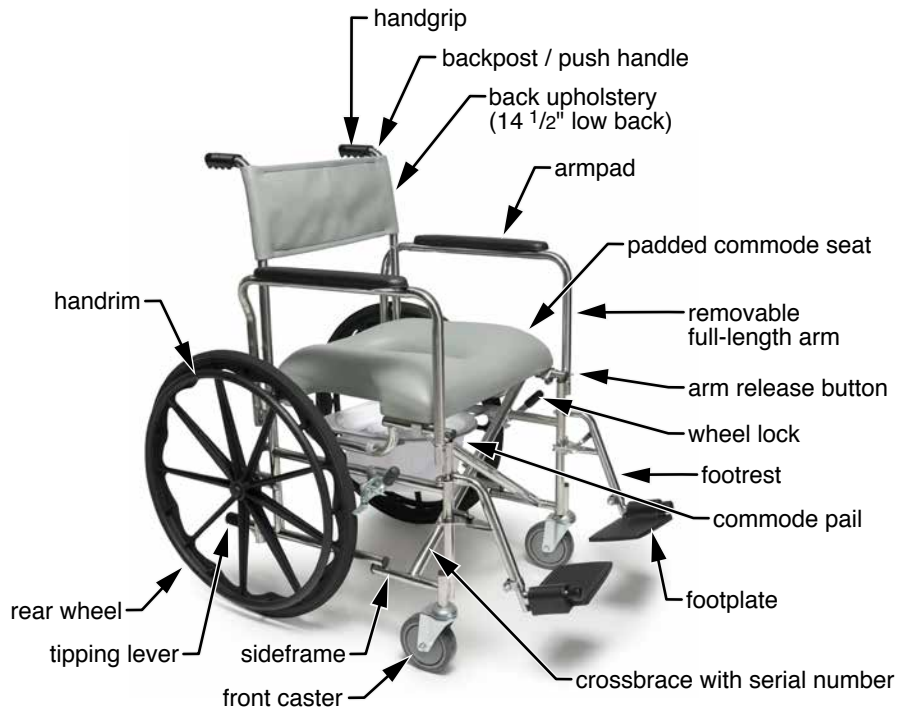
- ⚠ WARNING: Rehab Shower Commune models 12022010 and 12022110 have a maximum weight capacity of 250 lb (113 kg), EVENLY DISTRIBUTED. Rehab Shower Commune models 12023010 and 12023110 have a maximum weight capacity of 300 lb (136 kg), EVENLY DISTRIBUTED.**
- ⚠ WARNING: To avoid possible tilt hazard, DO NOT leave user unattended. Attendant must always be behind and in control of Rehab Shower Commune when user is being positioned or Rehab Shower Commune is in use.**
- ⚠ WARNING: Do not operate the Rehab Shower Commune on streets or roadways.**
- ⚠ WARNING: Do not operate the Rehab Shower Commune on hilly or rough terrain, sand, wet or icy surfaces, or surfaces with impaired traction. Ensure that pathway is clear of all obstacles.**
- ⚠ WARNING: Do not leave the Rehab Shower Commune on an incline.**
- ⚠ WARNING: Do not turn the Rehab Shower Commune while going downhill, as the Rehab Shower Commune could tip over.**
- ⚠ WARNING: Do not attempt any incline or decline greater than six degrees (10% grade, or one foot of rise or fall per ten feet of ramp length).**
- ⚠ WARNING: This Rehab Shower Commune does not offer seating or occupant restraint equivalent to the seat provided in a motor vehicle! To increase your safety while traveling in a motor vehicle, always transfer to the vehicle seat and use the restraint provided by the vehicle manufacturer.**
- ⚠ WARNING: Do not tie down or attach anything to the wheels. This could cause tipping and possibly result in injury or damage to the Rehab Shower Commune.**
- ⚠ WARNING: The footplates' lowest point should clear the ground by at least 2 1/2 inches (6.4 cm), to permit proper clearance of potential obstruction.**
- ⚠ WARNING: Doing a "wheelie" (tilting the Rehab Shower Commune backward until it reaches its balance point) is dangerous and could result in personal injury to the user.**

- ⚠ WARNING: Do not stand or step on the footplates while transferring to or from your Rehab Shower Commode. This could cause the Rehab Shower Commode to tip, or could cause personal injury or damage to your Rehab Shower Commode.**
- ⚠ WARNING: Always engage wheel locks before transferring, using a wheelchair lift or using an elevator.**
- ⚠ WARNING: Ensure that Rehab Shower Commode is on a stable, level surface and engage wheel locks before and during transfer.**
- ⚠ WARNING: Do not lean over the top of the Rehab Shower Commode back. This could cause the Rehab Shower Commode to tip over.**
- ⚠ WARNING: To reduce the risk of tipping before leaning or reaching forward, sit back in the seat and rotate front casters fully toward front of Rehab Shower Commode.**
- ⚠ WARNING: Unauthorized modification or the use of non-Everest & Jennings replacement parts could change the structure of the Rehab Shower Commode, void the warranty, and create a hazardous condition resulting in serious personal injury.**
- ⚠ WARNING: Do not lean on the Rehab Shower Commode or use it as a walker—these are practices which could result in loss of balance and personal injury.**
- ⚠ WARNING: Do not use the Rehab Shower Commode on stairs or escalators.**
- ⚠ WARNING: Wheel locks are not brakes. Do not use the wheel locks to slow down the Rehab Shower Commode, or while the Rehab Shower Commode is moving. Wheel locks are only intended to keep the Rehab Shower Commode in place when it is at a complete stop.**
- ⚠ WARNING: Cancer and Reproductive Harm - [www.p65warnings.ca.gov](http://www.p65warnings.ca.gov).**
- ⚠ WARNING: GF Health Products, Inc. specifically disclaims responsibility for any personal injury or property damage which may occur during any use which does not comply with federal, state, or local laws or ordinances.**

## 3 OPERATION

### GETTING STARTED

Please familiarize yourself with main components, identified in Rehab Shower Commode illustration below.



**Rehab Shower Commode  
shown with 14 1/2" low back**

### ASSEMBLING THE REHAB SHOWER COMMODE

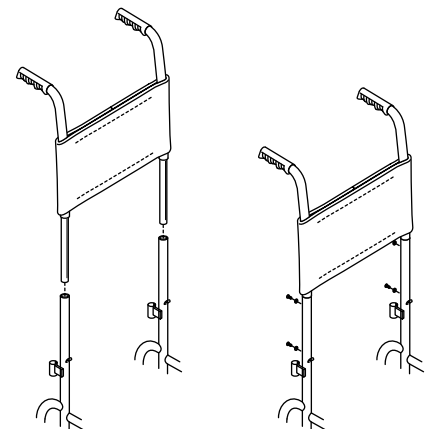
*Tools required: Phillips screwdriver*

#### Open Rehab Shower Commode

Tilt Rehab Shower Commode slightly to one side and push down on seat rails.

#### Install the Back and Upholstery Assembly

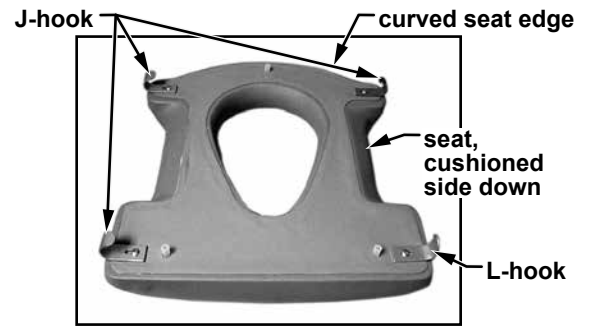
1. Before installing the Back Assembly, you must first remove both arms: Press down on the release button on front arm socket and lift arm up and off. Repeat for other arm.
2. Remove the Back Assembly from the footrest box and unfold it as shown at right.
3. Install the Back Assembly in the sideframe sockets as shown.
4. Remove the washers and screws from the commode pail. Install as shown. Use Phillips screwdriver to tighten.
5. Reinstall the arms: Position arm in front and rear sockets; press down on front arm socket release button and slide arm down into socket until it locks into place. Repeat for other arm.



**install back assembly**

## Install seat hooks

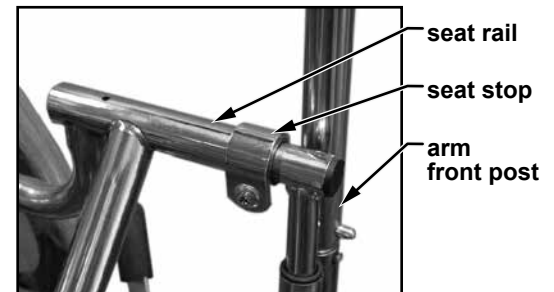
1. Place the seat, cushioned side down, on a flat surface.
2. Assemble a seat hook to each corner of the seat as shown at right in “install seat hooks”. **The L-hook must be located as shown at right.**
3. Tighten the screws securely to prevent the hooks from sliding or turning.



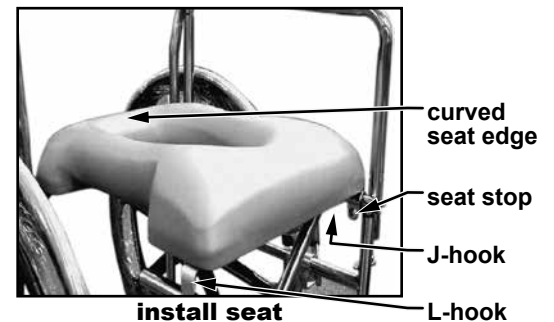
**install seat hooks**

## Install padded seat

1. Ensure the seat stops are positioned on both seat rails as shown at right in “seat stops” to prevent the seat from sliding forward. Each screw and nut should be tight enough to prevent the seat stop from moving without deforming the end of the seat rail, which would prevent easy folding of the Shower Commode Chair.
2. Open the chair to its full width as shown at right in “install seat”.
3. Place the seat on the seat rails as shown at right in “install seat” **with the curved seat edge toward rear.**
4. Hook the side with two J-hooks on the seat rails with the front hook located **behind** the seat stop. Lower the other side of the seat until it rests on the seat rails.
5. Lift the seat rails about an inch to allow the remaining hooks to engage the seat rails, then push down on the seat to open the chair to its full width and lock the seat in place. **Ensure the front hooks are butted against backs of seat stops to prevent the seat from sliding forward**



**seat stops**



**install seat**

## Install commode pail

Slide commode pail into bracket below seat.

## Install footrests

Set each footrest on Rehab Shower Commode frame so that footrest hinge plates engage Rehab Shower Commode hinge pins. Swing footrest inward and, using some force, firmly lock footrest in place and ensure swingaway release lever is locked in forward position.



**seat installed**

**⚠ WARNING: Ensure back, padded seat, footrests, and arms are installed as described and locked in place before occupying or operating Rehab Shower Commode, or personal injury and damage to the Rehab Shower Commode could result.**

## **OPERATION**

### **OPERATING THE WHEEL LOCKS**

#### **Engage wheel locks**

Grasp both rubber-tipped wheel lock levers and push forward completely. Rear wheels will be locked in place.

#### **Disengage wheel locks**

Grasp both rubber-tipped wheel lock levers and pull back completely. Rear wheels will now be free to roll.

### **REMOVING AND INSTALLING DETACHABLE ARMS**

**⚠ WARNING: DO NOT lift the Rehab Shower Commode by the arms. Doing so may cause personal injury to the Rehab Shower Commode user or attendant, or damage to the Rehab Shower Commode.**

#### **Remove arm**

Press down on the release button on front arm socket and lift arm up and off.

#### **Install arm**

Position arm in front and rear sockets; press down on front arm socket release button and slide arm down into socket until it locks into place.

**⚠ WARNING: Ensure arms are locked in place before occupying or operating Rehab Shower Commode.**

### **REMOVING AND INSTALLING DETACHABLE FOOTRESTS**

**⚠ WARNING: Do not stand on the footplates; this could cause the Rehab Shower Commode to tip.**

#### **Remove footrest**

Push swing away release lever toward back of Rehab Shower Commode. Swing footrest outward and lift up and off.

#### **Install footrest**

Set footrest on Rehab Shower Commode frame so that footrest hinge plates engage Rehab Shower Commode hinge pins. Swing footrest inward and, using some force, firmly lock footrest in place and ensure swingaway release lever is locked in forward position.

**⚠ WARNING: Ensure footrests are locked in place before occupying or operating Rehab Shower Commode.**



## HANDLING TIPS

The Everest & Jennings Rehab Shower Commode has been designed and engineered to perform as a stable and well balanced unit when used for its intended purpose. However, it is possible to tip the Rehab Shower Commode over if it is used improperly. We urge both user and attendant to learn the characteristics of your Rehab Shower Commode. It is most important to learn safe methods to perform the daily activities basic to your lifestyle. Use this manual as a guide for developing techniques that you are comfortable with, and consult your medical professionals for assistance in developing the skills and proper techniques to perform all activities safely.

### TO ATTENDANT

**⚠ WARNING: To avoid possible tilt hazard, do not leave user unattended. Attendant must always be behind and in control of Rehab Shower Commode when user is being positioned or Rehab Shower Commode is in use.**

1. Work with the Rehab Shower Commode user's medical professionals to learn the best methods of assistance.
2. Always tell the Rehab Shower Commode user what you are about to do and what you expect them to do, especially when changing balance or tipping backward. Remind the Rehab Shower Commode user to lean back when tipping backward, to maintain proper weight distribution.
3. When assisting a Rehab Shower Commode user, always perform operations carefully and use good body mechanics (bend your knees slightly and keep your back as upright as possible) to prevent personal injury.

**⚠ WARNING: Ensure hand grips are firmly attached to push handles before assisting user with Rehab Shower Commode. Slippage of hand grips could cause personal injury or Rehab Shower Commode damage. If hand grips are loose or in unstable condition, contact your GF authorized distributor for repair before assisting user with Rehab Shower Commode.**

**⚠ WARNING: Do not lift the Rehab Shower Commode by any detachable parts; this could cause personal injury to attendant or user, and damage to the Rehab Shower Commode.**

### BALANCE

Proper balance is the key to maintaining the stability of your Rehab Shower Commode. Reaching, bending, and transferring to or from a Rehab Shower Commode will change your weight distribution and center of gravity. Have an attendant with you at all times, especially when reaching, bending, or transferring.

### TRANSFER ACTIVITIES

**⚠ WARNING: Always ensure that the Rehab Shower Commode is on a stable, level surface and engage the wheel locks before transfer.**

**⚠ WARNING: Do not step on the footplates; this could cause the Rehab Shower Commode to tip. Fold them up, and either detach them, or swing them aside.**

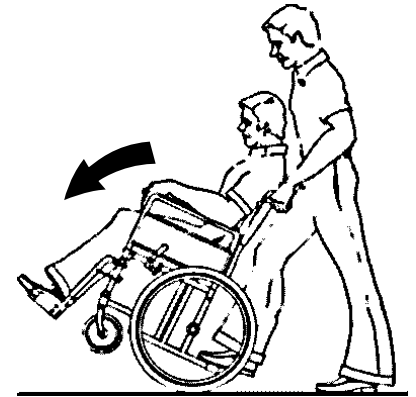
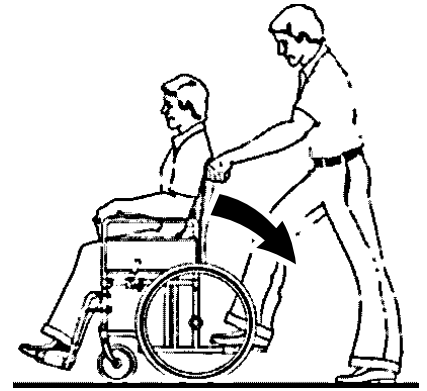
**⚠ WARNING: There is a critical moment when there is little or no seat platform beneath you. Take every precaution to reduce this unsupported distance before you attempt transfer.**

Transferring into or out of a Rehab Shower Commode is a very difficult maneuver; exercise extreme care when transferring, and never transfer without the aid of an attendant. Consult your physician, nurse, or physical therapist for assistance in developing your individual technique. Make sure that the Rehab Shower Commode is stabilized, and will not move or slide during the transfer. Take extra precaution to prevent tipping. Use good body mechanics to prevent personal injury.

## FOR ATTENDANT: TILTING

Tilting the Rehab Shower Commode backward is generally required to negotiate such obstacles as ramps, inclines, thresholds, stairs and door sills. Tilting should only be performed by an attendant. To tilt the Rehab Shower Commode backward:

1. Grasp the push handles securely and ensure that the hand grips are firmly attached.
2. Ensure that the user's feet are situated flat on the footplates and that arms, hands and fingers are clear of the wheels and any other components.
3. Advise the user, before tilting the Rehab Shower Commode backward, what you intend to do and remind the user to lean back.
4. Place one foot on the tipping lever and apply downward force until the Rehab Shower Commode is tilted back enough to overcome the obstacle.
5. Lower the front end slowly.



## RAMPS AND INCLINES

- ⚠ **WARNING:** During descent, the footplates' lowest point should be no closer to the ground than 2 1/2 inches (6.4 cm) to permit proper clearance.
- ⚠ **WARNING:** Do not attempt any incline or decline of more than 6 degrees (10% grade, or one foot of rise or fall per ten feet of ramp length).
- ⚠ **WARNING:** Do not use wheel locks to slow your descent. Attempting to use wheel locks is likely to result in accidental locking that could cause the Rehab Shower Commode to stop abruptly, suddenly pitch forward, or tip sideways.
- ⚠ **WARNING:** Avoid changing direction while descending a ramp or incline, as this could cause instability.

Ramps and inclines should only be negotiated with the assistance of an attendant. To attendant: Practice with a healthcare professional first before attempting ramps or inclines. Always inspect the ramp for hazards such as holes, slippery or uneven surfaces, etc. before starting up or down. If you can not see the entire ramp, ask someone to inspect it for you.

## THRESHOLDS AND STEPS

- ⚠ **WARNING:** Never attempt to negotiate thresholds or steps in your Rehab Shower Commode without the assistance of an attendant.
- ⚠ **WARNING:** Never attempt to negotiate stairs or escalators in your Rehab Shower Commode under any circumstances.

Thresholds, steps and stairways are dangerous obstacles that confront the Rehab Shower Commode user. When you encounter thresholds, find a way around, or use the ramps now available in most locations. If you encounter stairs or escalators and there is no ramp available, avoid the stairs or escalators by utilizing the disabled designated elevators now required in most locations.

Thresholds and steps should only be negotiated with the assistance of an attendant. The following are suggestions only for threshold negotiation. It is important for you to develop your own safe technique that is best suited to your abilities.

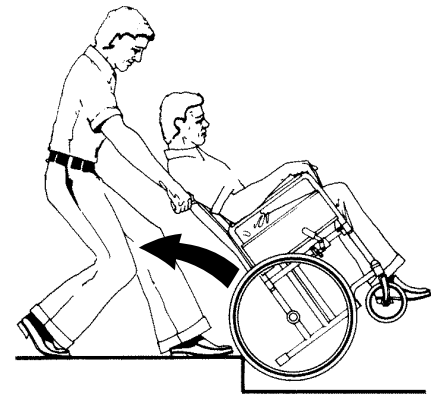
### **For attendant: threshold ascent facing forward**

1. Ensure that the hand grips are securely fastened and do not turn or slip.
2. Stand behind the Rehab Shower Commode, holding the hand grips, facing the threshold.
3. Advise the user that you will be tilting backward and remind the user to lean back.
4. Tilt the Rehab Shower Commode backward to its balance point and move forward until the front casters pass over the top of the threshold.
5. Lower the front casters SLOWLY to the threshold while you rotate the Rehab Shower Commode forward by the push handles until the rear casters roll up and over the threshold.
6. Ensure that the Rehab Shower Commode has completely cleared the threshold and can not roll backward.



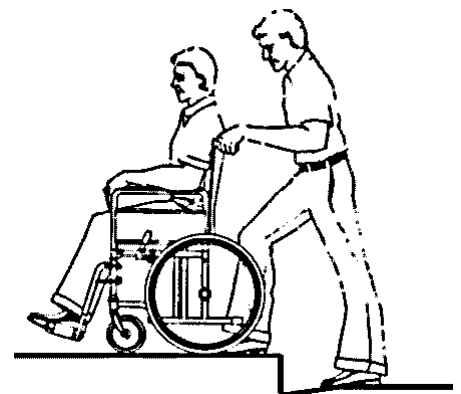
### **For attendant: threshold ascent facing backward**

1. Ensure that the hand grips are securely fastened and do not turn or slip.
2. Stand behind the Rehab Shower Commode, holding the hand grips, facing away from the threshold, with the rear casters against the threshold.
3. Advise the user that you will be tilting backward and remind the user to lean back.
4. Tilt the Rehab Shower Commode back to its balance point and lift up by the push handles while pulling the Rehab Shower Commode up and over the threshold. DO NOT lower the front casters down until the Rehab Shower Commode is back far enough to clear the threshold.



### **For attendant: threshold descent**

1. Ensure that the hand grips are securely fastened and do not turn or slip.
2. Stand behind the Rehab Shower Commode, holding the hand grips, with your back to the threshold.
3. Look over your shoulder and step down carefully.
4. Hold the hand grips tightly and pull the Rehab Shower Commode until the rear casters reach the threshold edge.
5. Slowly roll the rear casters down onto the lower level.
6. After the wheels are safely on the lower level, advise the user that you will be tilting backward and remind the user to lean back.
7. Tilt the Rehab Shower Commode back to its balance point; this will lift the front casters off the threshold. Take several small steps backward until the front casters have cleared the threshold.
8. Turn the Rehab Shower Commode around, place one foot on the tipping lever, and gradually lower the front casters to the ground.



## 4 ADJUSTMENTS

*Tools required for adjustments in this section: 1/2" wrench, M10 wrench*

The Rehab Shower Commode offers several adjustments to make it easier and more comfortable to operate. Section 6, MAINTENANCE, offers preventive maintenance suggestions for keeping your Rehab Shower Commode in excellent condition; ensure all components are in excellent condition before adjusting. The following are recommended methods; after a few adjustments, you may develop your own. Always consult your GF authorized distributor for assistance.

The person performing adjustments on the Rehab Shower Commode has the responsibility of making certain that the user and attendant can safely operate the Rehab Shower Commode with the adjustments selected. This person must evaluate the user's ability, weight, physical condition, the environment in which the Rehab Shower Commode will be used, and the terrain over which the Rehab Shower Commode will travel.

All adjustments and their page locations are referenced in the index at the end of this manual.

### ADJUST CASTERS

We recommend that you do not replace or adjust front or rear caster components yourself, since special tools and training are required. Please contact your GF authorized distributor when your casters need adjustment.

### TIGHTEN CROSSBRACES

*Tools required: 1/2" wrench*

Check the crossbraces to ensure that the bolts and nuts that fasten the crossbraces in the center of the Rehab Shower Commode are secure (crossbraces should be loose enough to fold easily, yet snug enough to take up excess play). Use a 1/2" wrench to tighten the crossbraces.

### ADJUST FOOTPLATE EXTENSION LENGTH

*Tools required: 1/2" wrench*

Adjust footplate extension length by using 1/2" wrench to loosen the bolt on the telescoping tube shaft and moving footplate to desired length. Ensure both footplates are adjusted to the same length.

Tighten securely with 1/2" wrench after adjustment. Ensure footrest bolts are securely fastened.

**⚠ WARNING: The footplates' lowest point should be no closer to the ground than 2 1/2 inches (6.4 cm), to permit proper clearance.**

**⚠ WARNING: Ensure footrests are locked in place before occupying or operating Rehab Shower Commode.**

### ADJUST WHEEL LOCKS

*Tools required: M10 wrench*

1. Use M10 wrench to loosen the adjustment bolt until the wheel lock slides on the frame.
2. Place the wheel lock in the locked position and slide it into contact with the tire.
3. Place the wheel lock in the unlocked position and slide it 3/8" (1 cm) closer to the tire.
4. Use M10 wrench to tighten the adjustment bolt and engage the wheel lock to check the fit. The wheel lock should indent the tire at least 3/8" (1 cm).
5. Repeat steps 1-4 for other wheel lock. Tighten the adjustment bolts securely to eliminate wheel lock movement on frame.

**⚠ WARNING: Ensure wheel locks are adjusted so that they lock in place appropriately before occupying or operating Rehab Shower Commode.**

## 5 TRANSPORTING THE REHAB SHOWER COMMODOE

### PREPARING THE REHAB SHOWER COMMODOE FOR TRANSPORT

**⚠ WARNING: The Rehab Shower Commode does not offer seating or occupant restraint equivalent to the seat provided in a motor vehicle! To increase your safety while traveling in a motor vehicle, always transfer to the vehicle seat and use the restraint provided by the vehicle manufacturer.**

When transporting the Rehab Shower Commode in a motor vehicle, do not place the Rehab Shower Commode where it will interfere with the safe operation of the vehicle or endanger the driver or passengers. The front seat is not a good location to store a Rehab Shower Commode during transport, as it may be dislodged and become a serious hazard to the vehicle driver. Always take precautions to avoid personal injury when loading or lifting a Rehab Shower Commode into or out of a vehicle. The Rehab Shower Commode can easily be transported in the back seat or the trunk.

#### **Remove Seat**

1. Lift the seat rails about an inch to narrow the chair and disengage the seat hooks, then lift the seat out of the chair.
2. The chair can now be folded completely.

#### **Remove commode pail**

Slide commode pail out from bracket below seat.

#### **Fold the Rehab Shower Commode**

Remove footplates. Tilt the Rehab Shower Commode to one side, and lift up on the seat rail opposite you or on the upholstery next to the seat rail.

#### **Store Rehab Shower Commode in car's back seat**

1. Move the car's front seat as far forward as possible.
2. Lift the folded Rehab Shower Commode into the car and place it on the back seat floorboard. Stow footrests, seat, and commode pail alongside. **DO NOT** put any articles on top of the Rehab Shower Commode.
3. Ensure the Rehab Shower Commode is stable, will not shift while the car is in motion, and does not block the driver's field of vision.

#### **Store Rehab Shower Commode in car's trunk**

1. Lift the folded Rehab Shower Commode and carefully place it in the trunk. Stow footrests, seat, and commode pail alongside.
2. **DO NOT** put any articles on top of the Rehab Shower Commode. Close the trunk lid slowly.

### **REASSEMBLY**

Follow instructions in **ASSEMBLING THE REHAB SHOWER COMMODOE**, page 6, beginning with **Install padded seat** on page 7.

**⚠ WARNING: Ensure Rehab Shower Commode is unfolded as instructed, seat is securely attached, and footrests are locked in place before occupying or operating Rehab Shower Commode.**

## 6 MAINTENANCE

Protect your E&J Rehab Shower Commode by having it serviced regularly. Proper care and maintenance are essential to keep your Rehab Shower Commode in safe working condition. Periodic inspection, adjustment, and replacement of worn parts will provide many years of superb performance. When you believe that a component or part of your Rehab Shower Commode is not functioning properly, contact your GF authorized distributor immediately, as a potentially hazardous condition could result. Only excellent condition is acceptable where safety is concerned.

### Service manual

There is no service manual for the Rehab Shower Commode. Please contact your GF authorized distributor with service questions not answered by this manual.

*Info: We recommend that you have a GF authorized distributor perform a six month maintenance check, as the dealer may find and correct a problem which might otherwise go undetected and eventually cause more serious problems and/or personal injury.*

### Do-it-yourself maintenance

You can do many of the scheduled maintenance tasks yourself, if you have mechanical ability and a few basic tools. Refer to the maintenance schedule below for the recommended regularity of each procedure. If any maintenance procedure is not clear to you, ask your GF authorized distributor for assistance.

**▲ NOTICE: Improper maintenance can cause operating problems and may affect your warranty.**

**⚠ WARNING: Unauthorized modification or the use of non-Everest & Jennings replacement parts could change the structure of the Rehab Shower Commode, void the warranty, and create a hazardous condition resulting in serious personal injury.**

MAINTENANCE SCHEDULE					
Procedure	Perform at least every				
	each use	week	month	3 months	6 months
Clean commode pail	✓				
Check / clean padded commode seat		✓			
Check tire wear		✓			
Check handrims		✓			
Check wheel lock engagement		✓			
Wipe off frame with soft cloth		✓			
Check handgrips			✓		
Clean back upholstery / plastic components			✓		
Check back upholstery			✓		
Check arms			✓		
Check backposts / push handles			✓		
Check footrests			✓		
Clean frame with soap and water				✓	
Check caster stem rotation				✓	
GF distributor maintenance check					✓
Check caster/wheel bearings (GF distributor)					✓

## List of tools

The tools and cleaning supplies listed will assist in the procedures outlined in this section.

*30 weight oil (available at most auto parts stores)*

*Phillips screwdriver*

*soft cloth*

*mild soap and water solution*

## General care

Always evaluate the overall operation of your Rehab Shower Commode. It should function with ease and should travel straight without excessive drag or pull to one side.

Remember, your GF authorized distributor knows your Rehab Shower Commode best when it comes to service and repairs. Contact your distributor with any questions or concerns regarding the safe operation and maintenance of your Rehab Shower Commode. Regular maintenance is essential for your safety and continued operation of your Rehab Shower Commode.

## Cleaning your Rehab Shower Commode

**▲ NOTICE: Never use abrasive cleaners or scouring pads on any part of the Rehab Shower Commode.**

**Commode pail:** clean pail as soon as possible after use.

**▲ NOTICE: Always clean Rehab Shower Commode pail as soon as possible after use. To contain odor until Rehab Shower Commode can be cleaned, replace commode lid on commode pail immediately after use.**

**Frame:** wipe off frame frequently, at least once a week, using a soft cloth. Dry the Rehab Shower Commode immediately if exposed to moisture. Clean the frame every three months with a mild soap and water solution. The frame does not need to be waxed. Do not use solvents, abrasive waxes, caustic chemicals or spray silicone.

**Padded commode seat:** clean padded commode seat at least once a week. Wash with soap and water or a mild household detergent and rinse with clear water. Ensure the padded commode seat is rinsed well before use.

**▲ NOTICE: Do not submerge padded commode seat in water when cleaning, and keep water away from air-bleed vent.**

**Back upholstery and plastic components:** clean back upholstery and plastic components at least once a month with a mild soap and water solution.

## Check padded commode seat

Check for secure fit of padded commode seat weekly. The padded commode seat's heavy-duty vinyl material will provide excellent service under normal conditions. However, care must be taken to avoid puncturing or cutting the vinyl. Check the padded commode seat weekly for signs of damage or cracking. If the seat is damaged, avoid further use for sanitary reasons. Contact your GF authorized distributor immediately.

## Check caster / tire wear

Examine rear tires and caster tires at least once a week for surface wear and cracks and replace them as needed. Always replace tires when they become loose on the rims or cracks appear.

## Check handrims

Check handrims at least once a week. Inspect each handrim for rough or sharp edges and, if any are found, replace handrims immediately. Ensure that all hardware is properly aligned and secure.

## **Check wheel lock engagement**

Check wheel lock engagement at least once a week. If a wheel lock is worn or damaged, have your GF authorized distributor replace it immediately. Inspect the hardware for looseness or signs of wear.

Ensure that the locking mechanism operates smoothly. The locking assembly should be tight enough so that the wheel can not rotate or the lock slip. Check that the locking shoe does not press against the tire when in the unlocked position. Excessive force should not be required to either engage or release wheel locks. Oil the wheel lock pivot points with one or two drops of 30 weight oil. Remove excess oil and dirt.

## **Check handgrips**

Check handgrips at least once a week. Ensure that they are not ripped. Ensure that they are tight and securely fastened.

## **Check back upholstery**

Check back upholstery at least once a month. Inspect for rips, tears and worn spots. Ensure all upholstery-attaching screws are present, properly aligned, and well-secured. Use a Phillips screwdriver to tighten mounting screws. Check attaching screws for sharp edges or stripped screws, and replace if found.

**⚠ WARNING: Worn or torn back upholstery, or back upholstery with loose hardware, must be replaced immediately. It may not support body weight.**

## **Check arms**

Check arms at least once a month. Inspect for sharp edges or cracks which could weaken the arm, and replace if found. Use a Phillips screwdriver to tighten arm pad mounting screws. Check for burrs on the screw heads and replace if found. Ensure that screws do not extend into the padding.

## **Check backposts / push handles**

Check backposts at least once a month. Ensure all mounting hardware is securely fastened and backposts are not bent or damaged. Contact your dealer if you observe back play, cracking or peeling paint or plating.

## **Check footrests**

Check footrests at least once a month. Inspect the locking mechanisms to confirm sure fit. Check for cracks, burrs, or sharp edges, and replace if found. Ensure footrests will automatically lock securely in place and will not accidentally unlock.

## **Check front caster stems**

Check front caster stems for proper rotation at least every three months. Front caster forks must swivel freely to facilitate steering and handling. Adjusting the stem nut varies the amount of force required to turn the caster. If the nut is too loose, the caster will flutter or shimmy; if the nut is too tight, the Rehab Shower Commode will be difficult to steer. If the front caster stems requires adjustment, or any caster bearings require replacement, contact your GF authorized distributor. Ensure that stems are firmly attached to forks, and that forks and stems are not bent. Evaluate all threads, locking nuts and bearings.

## **Check caster/wheel bearings**

Have your GF authorized distributor check front caster/wheel bearings at least every six months.



## 7 TROUBLESHOOTING

Continual use of your Rehab Shower Commode necessitates maintenance, especially if the factory-set adjustments have been altered. The following troubleshooting guide lists several common problems that may occur, and offers corrective actions for each. If you are unsure of the solution or unable to diagnose the problem, do not hesitate to ask your GF authorized distributor for assistance.

SYMPTOM						
looseness in transport chair	squeaks / rattles	front caster flutter	sluggish turning	chair veers left	chair veers right	
						<b>PROBABLE CAUSE AND CORRECTIVE ACTION</b>
✓	✓	✓	✓			Nuts and/or bolts may be loose. If so, tighten. Bolts should be snug.
		✓	✓	✓	✓	Casters or stem(s) may be adjusted improperly. Have your GF distributor correct adjustment.

*Info: Use only Everest & Jennings replacement parts. A Rehab Shower Commode replacement parts catalog is available at [www.grahamfield.com](http://www.grahamfield.com) to assist in the ordering of parts.*

**⚠ CAUTION: A complete inspection of your Rehab Shower Commode, including maintenance, servicing and safety checks, should be performed by a GF authorized distributor at least once every six months.**

**⚠ WARNING: Unauthorized modification or the use of non-Everest & Jennings replacement parts could change the structure of the Rehab Shower Commode, void the warranty, and create a hazardous condition, which could result in serious personal injury.**

## 8 SPECIFICATIONS

*Info: All dimensions are given in inches unless otherwise specified.*

DESCRIPTION	MODEL			
	12022010	12022110	12023010	12023110
	STANDARD LOW BACK	STANDARD HIGH BACK	WIDE LOW BACK	WIDE HIGH BACK
SEAT WIDTH	17" (43.2 cm)		20" (50.8 cm)	
SEAT DEPTH	18" (45.7 cm)		19" (48.3 cm)	
SEAT HEIGHT	23" (58.4 cm)		23 1/2" (59.7 cm)	
BACK HEIGHT	14 1/2" (36.8 cm)	17 1/2" (44.5 cm)	16" (40.6 cm)	19" (48.3 cm)
OVERALL DEPTH (INCLUDES FRONT RIGGING)	40" (101.6 cm)		42 3/4" (108.6 cm)	
OVERALL HEIGHT	37 1/2" (95.3 cm)	40 1/2" (109.9 cm)	40" (101.6 cm)	43" (109.2 cm)
OVERALL WIDTH	25" (63.5 cm)		28 1/4" (71.8 cm)	
WEIGHT (WITHOUT FRONT RIGGING)	43 lb (19.5 kg)	45 lb (20.4 kg)	48 lb (21.8 kg)	50 lb (22.7 kg)
MAXIMUM WEIGHT CAPACITY, EVENLY DISTRIBUTED	250 lb (113 kg)		300 lb (136 kg)	

## 9 LIMITED WARRANTY

### SCOPE OF WARRANTY

GF Health Products, Inc. ("GF") warrants to the Original Purchaser only that it will replace or repair components, at GF's sole discretion, that are defective in material or workmanship under normal use and service. All warranties are conditioned upon the proper use of the products strictly in accordance with good commercial practice and applicable GF instructions and manuals, including proper use and maintenance. To the extent that a component is warranted by a third party, GF conveys all of its rights under that warranty to the original purchaser, to the extent permitted. Original Purchaser is one who purchases this product new and unused from GF or a GF Distributor.

This limited warranty shall only apply to defects that are reported within the applicable warranty period and which, upon examination by GF or its authorized representative, prove to be a warranty item. This limited warranty is not transferable.

The warranted components and time period are set forth below:

- Sideframes and crossbraces. . . . .two years
- Wheels, handrims, front rigging, forks, upholstered components, plastic parts, painted surfaces, rubber parts, bearings, and any other components not listed above. . . six months

The applicable warranty period shall commence from date of shipment to the Original Purchaser, unless there is an expiration date on the component in which case the warranty shall expire on the earlier of warranty period or the expiration date.

### OBTAINING WARRANTY SERVICE

This limited warranty shall only apply to defects that are reported to the Distributor from whom the Customer purchased the product within the applicable warranty period. If there is not a Distributor, you must contact GF directly by calling 1.770.368.4700, sending a fax request to 1.770.368.2386, or by e-mailing a request to cs@grahamfield.com. Specific directions will be provided by the Customer Service Representative. Failure to abide by the specific directions will result in denial of the warranty claim.

### EXCLUSIONS

The warranty does not cover and GF shall not be liable for the following:

- 1) Defects, damage, or other conditions caused, in whole or in part, by misuse, abuse, negligence, alteration, accident, freight damage, tampering or failure to seek and obtain repair or replacement in a timely manner;
- 2) Products which are not installed, used, or properly cleaned and maintained as required in the official manual for the applicable product;
- 3) Products considered to be of a non-durable nature including, but not limited to: casters, filters, fuses, gaskets, lubricants, and charts;
- 4) Accessories or parts not provided by GF;
- 5) Charges by anyone for adjustments, repairs, replacement parts, installation or other work performed upon or in connection with such products which are not expressly authorized in writing, in advance, by GF;
- 6) Any labor or shipping charges incurred in the replacement part installation or repair;
- 7) Costs and expenses of regular maintenance and cleaning; and
- 8) Representations and warranties made by any person or entity other than GF.

### ENTIRE WARRANTY, EXCLUSIVE REMEDY AND CONSEQUENTIAL DAMAGES DISCLAIMER

THIS WARRANTY IS GF'S ONLY WARRANTY AND IS IN LIEU OF ALL OTHER WARRANTIES, EXPRESS OR IMPLIED. GF MAKES NO IMPLIED WARRANTIES OF ANY KIND INCLUDING ANY IMPLIED WARRANTIES OF MERCHANTABILITY OR FITNESS FOR A PARTICULAR PURPOSE.

IF ANY MODEL OR SAMPLE WAS SHOWN TO THE CUSTOMER, SUCH MODEL OR SAMPLE WAS USED MERELY TO ILLUSTRATE THE GENERAL TYPE AND QUALITY OF THE PRODUCT AND NOT TO REPRESENT THAT THE PRODUCT WOULD NECESSARILY CONFORM TO THE MODEL OR SAMPLE IN ALL RESPECTS.

THIS WARRANTY IS LIMITED TO THE REPAIR OR REPLACEMENT OF THE DEFECTIVE PARTS. GF SHALL NOT BE LIABLE FOR AND HEREBY DISCLAIMS ANY DIRECT, SPECIAL, INDIRECT, INCIDENTAL, EXEMPLARY OR CONSEQUENTIAL DAMAGES, INCLUDING, BUT NOT LIMITED TO: DAMAGES FOR LOSS OF PROFITS OR INCOME, LOSS OF USE, DOWNTIME, COVER, OR EMPLOYEE OR INDEPENDENT CONTRACTOR WAGES, PAYMENTS AND BENEFITS.

The warranties contained herein contain all the representations and warranties with respect to the subject matter of this document, and supersede all prior negotiations, agreements and understandings with respect thereto. The recipient of this document hereby acknowledges and represents that it has not relied on any representation, assertion, guarantee, warranty, collateral contract or other assurance, except those set out in this document. Some states do not allow the exclusion of certain remedies; in those instances that state's law will control. This warranty gives you specific legal rights, and you may also have other rights which vary from state to state.

For additional information on this product or this warranty, please contact a GF Customer Service Representative.

### NOTES:

- 1) Additional terms and conditions may apply.
- 2) Freight claims must be notated on the appropriate shipping documents and must be made with immediacy. International, federal and state regulations govern specific requirements for freight claims. Failure to abide by those regulations may result in a denial of the freight claim. GF will assist you in filing the freight claim.
- 3) Claims for any short shipment must be made within three (3) days of the invoice date.

# 10 INDEX

## A

Adjustments 12  
Arms, detachable, remove and install 8  
Assembly 6

## B

Backposts, check 16  
Back / upholstery assembly, install 6  
Back upholstery, cleaning 15  
Balance 9

## C

Caster adjustment 12  
Caster stems, front, check 16  
Cleaning your Rehab Shower Commode 15  
Commode pail, cleaning 15  
Commode pail, install 7  
Commode seat, padded, check 15  
Crossbraces, tighten 12

## F

Footplate extension length, adjust 12  
Footrests, check 16  
Footrests, detachable, remove and install 8  
Frame, cleaning 15

## G

General care of Rehab Shower Commode 15  
Getting started 6

## H

Handgrips, check 16  
Handling tips 9  
Handling tips, to attendant 9  
Handrims, check 15

## I

Illustration 6  
Info statement, significance 3  
Intended use 3  
Introduction 3

## L

Limited warranty 18

## M

Maintenance 14

## N

NOTICE statement, significance 3

## O

Operation 6

## P

Padded commode seat, cleaning 15  
Padded seat, install 7  
Plastic components, cleaning 15

## R

Ramps and Inclines 10  
Reassembly after transporting 13

## S

Safety precautions 4  
Safety statements, significance 3  
Seat hooks, install 7

## T

Threshold ascent facing backward (for attendant) 11  
Threshold ascent facing forward (for attendant) 11  
Threshold descent (for attendant) 11  
Thresholds and steps, negotiating 10  
Tilting (for attendant) 10  
Tires, check 15  
Tools required for adjustments 12  
Tools suggested for maintenance 15  
Transfer activities 9  
Transporting the Rehab Shower Commode 13  
Troubleshooting 17

## U

Upholstery, check 16

## W

Warnings 4  
WARNING statement, significance 3  
Warranty, limited 18  
Weight capacity, maximum 4  
Wheel bearings, check 16  
Wheel lock engagement, check 16  
Wheel locks, adjust 12  
Wheel locks, operate 8

**graham**  
 **field.**