



Essential Thera-P™ ELECTRIC TREATMENT TABLE

Ease of use, multiple options and a sleek but durable design make the Essential THERA-P line of electric treatment tables the affordable choice of therapists everywhere. Seven top options allow therapists to choose the table that best meets their needs and that ensures patients' most comfortable positioning. The Essential THERA-P electric treatment table is constructed of precision-cut flat and tube steel for durability and style. It also has a whisper-quiet lift system with elevating foot pedal. Designed with simplicity in mind, the Essential THERA-P electric treatment table offers a standard white powder coat base.

STANDARD FEATURES:

- Load Capacity: 500 lbs.
- 27"W x 77"L x 17-35"H
- Durable and stylish steel base (EPT9020/EPT9028)
- White powder coat base with single foot control pedal
- Whisper quiet lift system
- Height adjustment: 17-35"
- 27" Wide cushions in 7 different configuration options
- 2" High density foam cushions with rounded corners
- Individual locking casters
- Head section angle range: +40° to -90° (EPT77: +35° to -45°)
- Lower extremity angle range: 0 to 65° (EPT77: 0 to 75°)
- Armrest horizontal range: 0 to 45°
- Armrest vertical range: 0 to 7"
- 7 Section configuration includes electric elevating midsection with hand control
- ADA Compliant
- 2 Year warranty

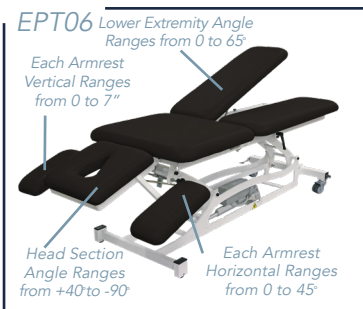
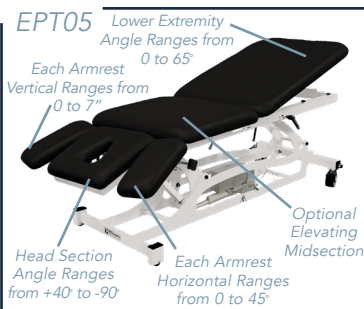
NOTE: International (240V) option available



TABLE CONFIGURATIONS:

<input type="checkbox"/> EPT01 1 Section 27" Width Qty _____	<input type="checkbox"/> EPT02 2 Section 27" Width Qty _____	<input type="checkbox"/> EPT03 3 Section 27" Width Qty _____	<input type="checkbox"/> EPT04 4 Section 27" Width Qty _____	<input type="checkbox"/> EPT05 5 Section 27" Width Qty _____	<input type="checkbox"/> EPT06 6 Section 27" Width Qty _____	<input type="checkbox"/> EPT77 7 Section 27" Width Qty _____

TABLE FEATURES:



OPTIONS:

- EPT9021** - 500 lb Lifting Capacity (240V for EPT01, EPT02, EPT03, EPT04, EPT05 & EPT06)
- EPT9029** - 500 lb Lifting Capacity (240V for EPT77)
- PT303x** - 30"W Cushion Configuration
- S1077** - Dual Foot Control Pedal
- S1135** - Manual Elevating Midsection (only available on EPT03 & EPT05)
- EPTPH01** - Paper Roll Holder and Cutter (Only available on EPT01, EPT02, or EPT03)
- S1078** - Dual Foot Bar Control
- S2078** - Dual Foot Bar Control with Front Foot Bar Adder
- PT10001** - Nose Hole Plug
- S1151** - Battery
- S1152** - Battery with Extra Battery and Wall Charger

STANDARD UPHOLSTERY CHOICES:

- | | |
|--|--|
| <input type="checkbox"/> Royal Blue | <input type="checkbox"/> American Beauty |
| <input type="checkbox"/> Imperial Blue | <input type="checkbox"/> Lark |
| <input type="checkbox"/> Blue Ridge | <input type="checkbox"/> Burgundy |
| <input type="checkbox"/> Deep Violet | <input type="checkbox"/> Dove |
| <input type="checkbox"/> Forest | <input type="checkbox"/> Charcoal |
| <input type="checkbox"/> Black | <input type="checkbox"/> Mocha |
| <input type="checkbox"/> Mandarin Orange | <input type="checkbox"/> Putty |

STANDARD BASE COLORS:

- White

CUSTOM BASE COLORS:

- | | |
|-------------------------------------|---------------------------------------|
| <input type="checkbox"/> Black | <input type="checkbox"/> Green |
| <input type="checkbox"/> Light Gray | <input type="checkbox"/> Forest Green |
| <input type="checkbox"/> Charcoal | <input type="checkbox"/> Purple |
| <input type="checkbox"/> Royal Blue | <input type="checkbox"/> Yellow |
| <input type="checkbox"/> Navy Blue | <input type="checkbox"/> Orange |
| <input type="checkbox"/> Red | <input type="checkbox"/> Brown |
| <input type="checkbox"/> Burgundy | <input type="checkbox"/> Bright Blue |

CUSTOM BASE OPTIONS:

- S1178** Table Base Graphics
- PT9020-CC** Pick Custom Base Color
- S2000** Custom Table Base Powder Coat Color and Table Base Graphics

