



Essential Thera-P™ Bariatric ELECTRIC TREATMENT TABLE

Ease of use, multiple options and a sleek but durable design make the Essential Thera-P Bariatric line of electric treatment tables the choice of therapists everywhere. Four top options and two top widths allow therapists to choose the table that best meets their needs and that ensures patients' most comfortable positioning. The Essential Thera-P Bariatric Electric Treatment Table is constructed of precision-cut flat and tube steel for durability and style. It also has a whisper-quiet lift system with elevating foot pedal.

STANDARD FEATURES:

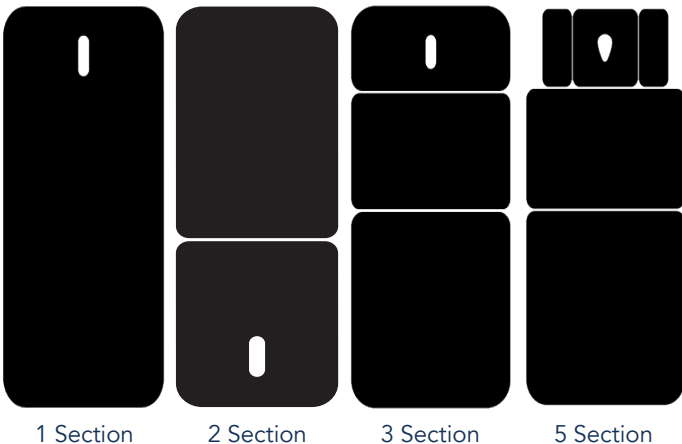
- Load Capacity: 500 lbs.
- 34" or 36"W x 77"L x 17-35"H
- Durable and stylish steel base (PT9020/PT9028)
- White powder coat base
- Whisper quiet lift system with single foot control pedal
- Height adjustment: 17-35"
- 34" or 36" Wide cushions in 4 different configuration options
- 2" High density foam cushions with rounded corners
- Individual locking casters
- Head section angle range: +40° to -90°
- Lower extremity angle range: 0 to 65°
- Armrest horizontal range: 0 to 45°
- Armrest vertical range: 0 to 7"
- ADA Compliant

NOTE: International (240V) option available



EPT3012

TABLE CONFIGURATIONS:



- | | | | |
|--------------------------------------------------------------------------------|--------------------------------------------------------------------------------|--------------------------------------------------------------------------------|--------------------------------------------------------------------------------|
| <input type="checkbox"/> EPT3011
1 Section
34" Width
Qty _____ | <input type="checkbox"/> EPT3012
2 Section
34" Width
Qty _____ | <input type="checkbox"/> EPT3013
3 Section
34" Width
Qty _____ | <input type="checkbox"/> EPT3015
5 Section
34" Width
Qty _____ |
| <input type="checkbox"/> EPT3611
1 Section
36" Width
Qty _____ | <input type="checkbox"/> EPT3612
2 Section
36" Width
Qty _____ | <input type="checkbox"/> EPT3613
3 Section
36" Width
Qty _____ | <input type="checkbox"/> EPT3615
5 Section
36" Width
Qty _____ |

TABLE FEATURES:

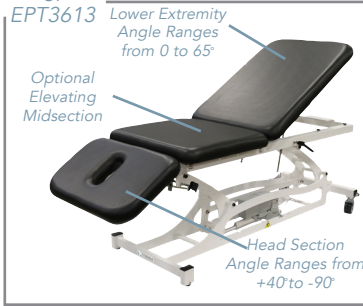
EPT3011
or
EPT3611



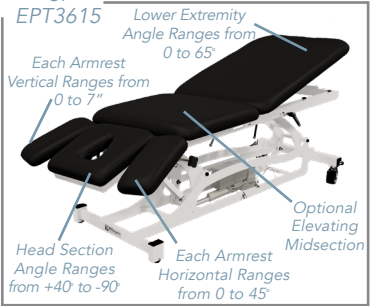
EPT3012
or
EPT3612



EPT3013
or
EPT3613



EPT3015
or
EPT3615



OPTIONS:

- EPT9021** - 500 lb Lifting Capacity
- S1077** - Dual Foot Control Pedal
- S1135** - Manual Elevating Midsection (Only available on EPT3013, EPT3015, EPT3613, & EPT3615)
- S1078** - Dual Foot Bar Control
- S2078** - Dual Foot Bar Control with Front Foot Bar Adder
- PT10001** - Nose Hole Plug
- S1151** - Battery
- S1152** - Battery with Extra Battery and Wall Charger

STANDARD UPHOLSTERY CHOICES:

- | | |
|------------------------------------------|------------------------------------------|
| <input type="checkbox"/> Royal Blue | <input type="checkbox"/> American Beauty |
| <input type="checkbox"/> Imperial Blue | <input type="checkbox"/> Lark |
| <input type="checkbox"/> Blue Ridge | <input type="checkbox"/> Burgundy |
| <input type="checkbox"/> Deep Violet | <input type="checkbox"/> Dove |
| <input type="checkbox"/> Forest | <input type="checkbox"/> Charcoal |
| <input type="checkbox"/> Black | <input type="checkbox"/> Mocha |
| <input type="checkbox"/> Mandarin Orange | <input type="checkbox"/> Putty |

STANDARD BASE COLORS:

- White

CUSTOM BASE COLORS:

- | | |
|-------------------------------------|---------------------------------------|
| <input type="checkbox"/> Black | <input type="checkbox"/> Green |
| <input type="checkbox"/> Light Gray | <input type="checkbox"/> Forest Green |
| <input type="checkbox"/> Charcoal | <input type="checkbox"/> Purple |
| <input type="checkbox"/> Royal Blue | <input type="checkbox"/> Yellow |
| <input type="checkbox"/> Navy Blue | <input type="checkbox"/> Orange |
| <input type="checkbox"/> Red | <input type="checkbox"/> Brown |
| <input type="checkbox"/> Burgundy | <input type="checkbox"/> Bright Blue |

CUSTOM BASE OPTIONS:

- S1178**
Table Base Graphics
- PT9020-CC**
Pick Custom Base Color
- S2000**
Custom Table Base Powder Coat Color and Table Base Graphics

