



## ROHO® AGILITY™ Laterals OPERATION MANUAL

**SUPPLIER:** This manual must be given to the user of this product.

**USER:** Before using this product, read instructions and save for future reference.

Visit [www.therohogroup.com](http://www.therohogroup.com) to view the contents of this document in additional languages.

**ESPAÑOL:** Visite [www.therohogroup.com](http://www.therohogroup.com) para ver el contenido de este documento en otros idiomas.

**FRANÇAIS:** Visitez le [www.therohogroup.com](http://www.therohogroup.com) pour voir le contenu de ce document dans différentes langues.

**DEUTSCH:** Besuchen Sie [www.therohogroup.com](http://www.therohogroup.com), um den Inhalt dieses Dokuments in weiteren Sprachen anzuzeigen.

**ITALIANO:** Visitare [www.therohogroup.com](http://www.therohogroup.com) per visualizzare i contenuti del presente documento nelle altre lingue.

**NEDERLANDS:** Ga naar [www.therohogroup.com](http://www.therohogroup.com) om de inhoud van dit document in andere talen te bekijken.

**DANSK:** Besøg [www.therohogroup.com](http://www.therohogroup.com) for at se indholdet af dette dokument på andre sprog.

**SVENSKA:** Besök [www.therohogroup.com](http://www.therohogroup.com) för att visa innehållet i detta dokument i ytterligare språk.

**NORSK:** Besøk [www.therohogroup.com](http://www.therohogroup.com) for å se innholdet i dette dokumentet på flere språk.

**SUOMI:** Käy osoitteessa [www.therohogroup.com](http://www.therohogroup.com) nähdäkseksi tämän asiakirjan sisällön muilla kielillä.

**PORTUGUÊS:** Visite [www.therohogroup.com](http://www.therohogroup.com) para exibir o conteúdo deste documento em outros idiomas.

## TABLE OF CONTENTS

INTENDED USE	2
INFORMATION FOR SAFETY	2-3
PARTS DETAIL	3-4
PRODUCT SPECIFICATIONS	4-5
ATTACHMENT	6-11
SWING-AWAY OPERATION	12
REMOVE AGILITY LATERALS	12
REMOVE AND REPLACE-SLEEVE, COVER, FOAM PAD AND BASE	13
CLEANING AND DISINFECTING	14
MAINTENANCE, DISPOSAL, RETURN POLICY AND CONTACT INFORMATION	15
WARRANTY	16
ESPAÑOL	17

ROHO, Inc. has a policy of continual product improvement and reserves the right to amend this document. The current version of this document is available at [www.therohogroup.com](http://www.therohogroup.com).



ROHO® AGILITY™ Laterals are manufactured for ROHO, Inc.,

© 2012 ROHO, Inc.

The following are trademarks and registered trademarks of ROHO, Inc.: AGILITY™, ROHO®, and shape fitting technology®.

Products in this manual may be covered by one or more U.S. and foreign patents and trademarks. For further details please refer to [www.therohogroup.com](http://www.therohogroup.com).

## INTENDED USE

ROHO® AGILITY™ Laterals (AGILITY Laterals) are designed to provide additional trunk support and positioning to the individual. The AGILITY Laterals are designed for use only with ROHO AGILITY Minimum Contour Back Systems (AGILITY Minimum Contour) and ROHO AGILITY Mid Contour Back Systems (AGILITY Mid Contour).

AGILITY Laterals have a weight limit of 300 lbs. (136 kg).

ROHO, Inc. recommends that a clinician, such as a doctor or therapist experienced in seating and positioning, be consulted to determine if AGILITY Laterals are appropriate for the individual's particular seating needs.

## INFORMATION FOR SAFETY

### WARNINGS

- **DO NOT** use the AGILITY Laterals without first reading and understanding this manual. If assistance is needed, contact a clinician, ROHO provider or ROHO, Inc.
- When using any back system accessory, it is especially important to inspect the skin, especially those areas covering bony prominences, which are at greater risk for breakdown. If any discoloration (ie. redness, bruising, purple, or darker areas versus normal skin tone, which may be the beginning sign of skin breakdown) is noted and does **NOT** disappear within 30 minutes after removal from the product, discontinue use and consult a healthcare provider immediately.
- AGILITY Laterals should be installed by a qualified and competent healthcare professional.
- AGILITY Laterals have **NOT** been tested for use in a motor vehicle.
- As with any addition to a wheelchair, AGILITY Laterals may affect the stability of the wheelchair.
- **DO NOT** use the AGILITY Laterals to transfer in or out of the wheelchair. AGILITY Laterals were not designed to support the full body weight of the user.
- Check AGILITY Laterals' screws, clamps and brackets for wear, breakage and tightness daily. Retighten loose screws following the instructions throughout this manual. **DO NOT** continue to use AGILITY Laterals if any part cannot be tightened or is broken. ROHO, Inc. recommends that AGILITY Laterals be thoroughly inspected periodically by a qualified technician.
- **DO NOT** attach, remove or adjust AGILITY Laterals when an individual is seated in the chair.
- Use caution when attaching, adjusting or removing AGILITY Laterals to avoid pinching or trapping fingers in openings.
- **DO NOT** use the AGILITY Laterals to lift or push a wheelchair. Doing so may cause the back system to become unintentionally detached from the wheelchair.

## INFORMATION FOR SAFETY CONTINUED

### CAUTIONS

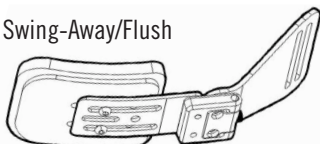
- Protect AGILITY Laterals from blunt force shocks that may cause damage and/or breakage.
- Altering AGILITY Laterals, or use of any hardware or components other than those supplied by ROHO, may affect performance and void the warranty.
- Components of AGILITY Laterals are not intended to be used separately, or in conjunction with, other wheelchair back systems or Laterals.
- Normal use temperatures are between 40°F (4°C) and 105°F (40°C). For temperatures beyond this range, take caution when exposing skin to metal surfaces.
- Prolonged exposure to ozone may degrade some materials used in the manufacture of this product, and may affect the performance of this product and void the product warranty.

## PARTS DETAIL

### Package Contents:

One of the following\*:

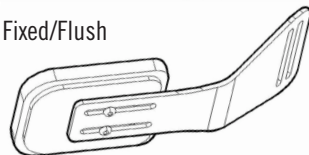
Swing-Away/Flush



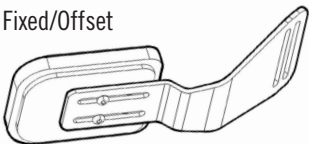
Swing-Away/Offset



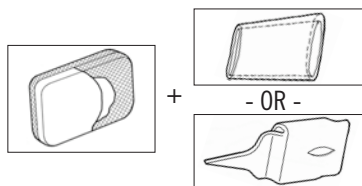
Fixed/Flush



Fixed/Offset

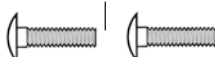


\*All models include a cover and sleeve:



### Bracket Attachment Hardware:

2 - 25 mm M6-1.0 Bolts



2 - 20 mm M6-1.0 Bolts



2 Washers



2 Nuts



Sliding Height Adjustment  
Bar Extension



Dual Wrench (See Detail in ROHO AGILITY Back  
Systems Operation Manual)

(4 mm Hex Key)



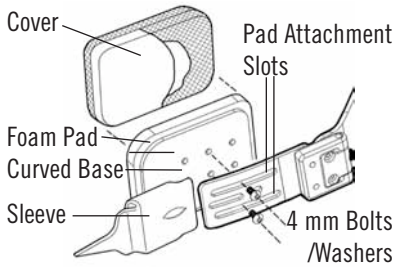
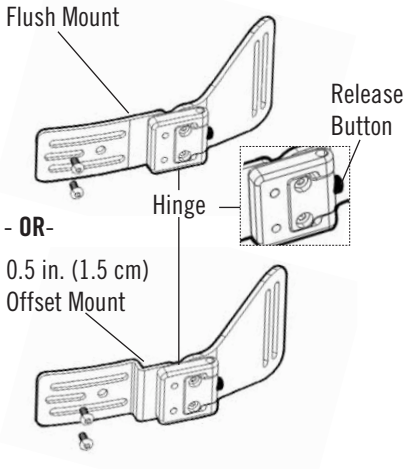
(10 mm Box End)

Operation Manual

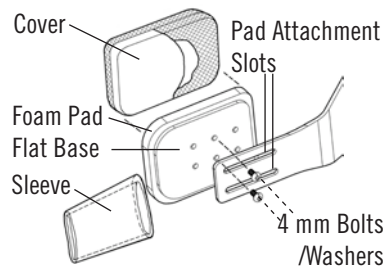
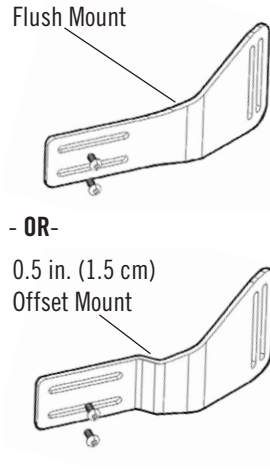


## PARTS DETAIL CONTINUED

### Swing-Away Bracket / Curved Base

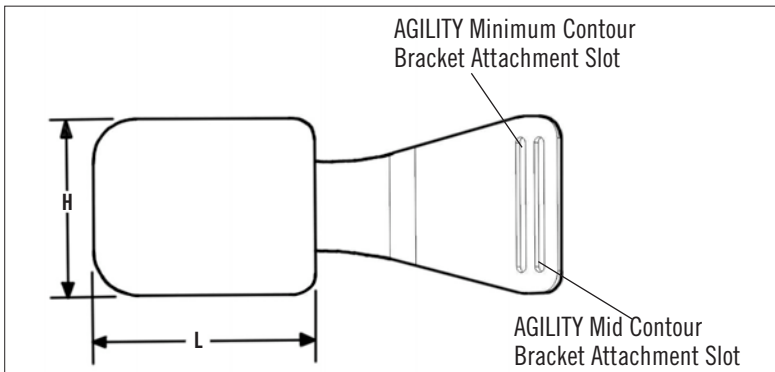


### Fixed Bracket / Flat Base



## PRODUCT SPECIFICATIONS

### Sizing:



## PRODUCT SPECIFICATIONS CONTINUED

**Sizing continued\*:**

Item Numbers	Pad Size (H x L)		Mount
	in.	(cm)	
<b>Swing-Away Bracket / Curved Pad:</b>			
AG-LATSA-M-FL	4.0 x 4.0	(10.0 x 10.0)	Flush
AG-LATSA-M-OF	4.0 x 4.0	(10.0 x 10.0)	Offset
AG-LATSA-L-FL	4.0 x 5.0	(10.0 x 12.5)	Flush
AG-LATSA-L-OF	4.0 x 5.0	(10.0 x 12.5)	Offset
AG-LATSA-X-FL	5.0 x 5.0	(12.5 x 12.5)	Flush
AG-LATSA-X-OF	5.0 x 5.0	(12.5 x 12.5)	Offset
<b>Fixed Bracket / Flat Pad:</b>			
AG-LATFX-M-FL	4.0 x 4.0	(10.0 x 10.0)	Flush
AG-LATFX-M-OF	4.0 x 4.0	(10.0 x 10.0)	Offset
AG-LATFX-L-FL	4.0 x 5.0	(10.0 x 12.5)	Flush
AG-LATFX-L-OF	4.0 x 5.0	(10.0 x 12.5)	Offset
AG-LATFX-X-FL	5.0 x 5.0	(12.5 x 12.5)	Flush
AG-LATFX-X-OF	5.0 x 5.0	(12.5 x 12.5)	Offset

**Weights:**

Swing-Away Bracket: 1.0 lb. (0.4 kg)

Fixed Bracket: 0.75 lbs. (0.3 kg)

**\*Note:** All measurements are approximate.

**Materials:**

Bracket: Fixed: Aluminum Swing-Away: Aluminum and Stainless Steel	Cover and Sleeve: Cover Front Side: Polyester Sleeve and Cover Back Side: Nylon/Polychloroprene Foam Foam Pad: Polyurethane adhered to an ABS Base
Components of AGILITY Laterals comply with CAL 117 flammability requirements.	


## ATTACHMENT

Depending on the height of the ROHO AGILITY Back System (AGILITY), and due to the varying lengths of the vertical slot in the back shell, not all attachment options may be applicable for the individual's AGILITY.

To determine which attachment location is appropriate for the individual's needs, consult a clinician experienced in seating and positioning or authorized ROHO provider.



**IMPORTANT!** AGILITY Laterals should be attached between the cover and the back shell.

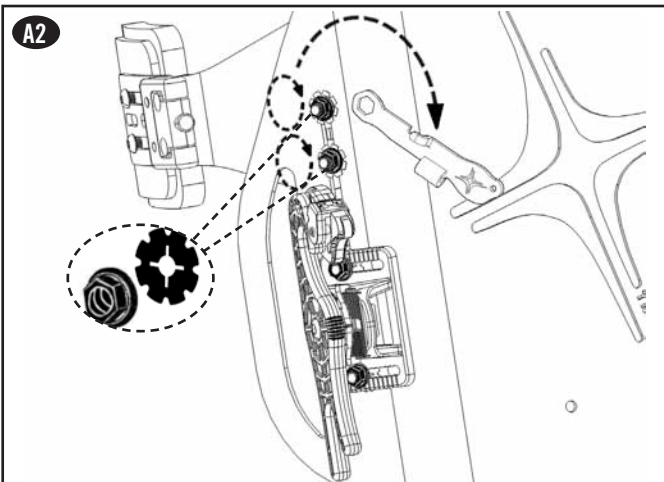
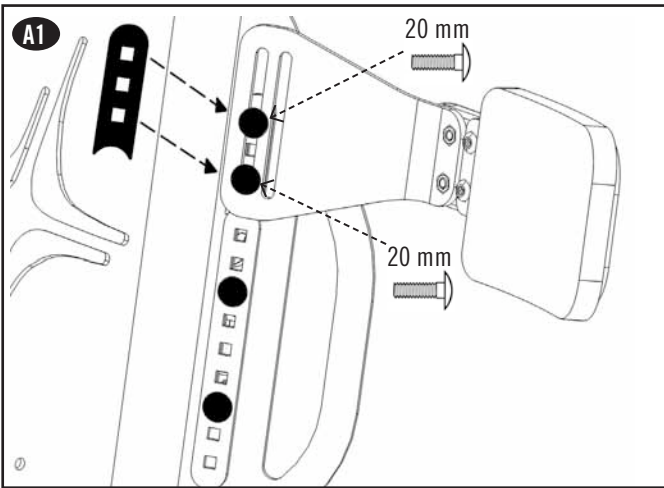
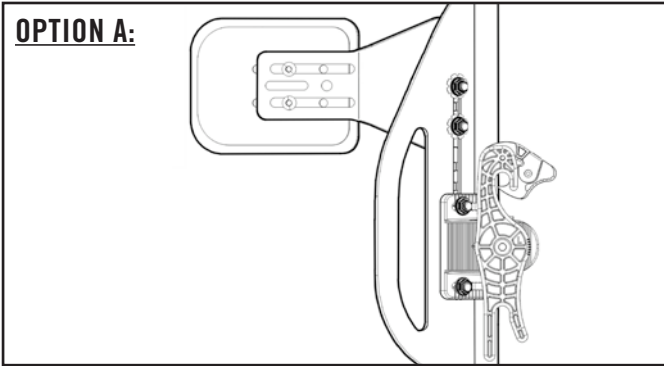
1.  **IMPORTANT!** Before attaching the AGILITY Laterals, the AGILITY should be correctly installed and adjusted for the individual. Make note of the correct width, height, depth and angle. Make pen/pencil markings on the back shell if necessary.
2. Remove the cover from the AGILITY.
3. Attach AGILITY Laterals at the desired location. See OPTION A, B, C, D or E.
4. After installation of AGILITY Laterals is complete, re-install the AGILITY cover.

**Note:** See AGILITY Back Systems Operation Manual for AGILITY cover removal and installation instructions.



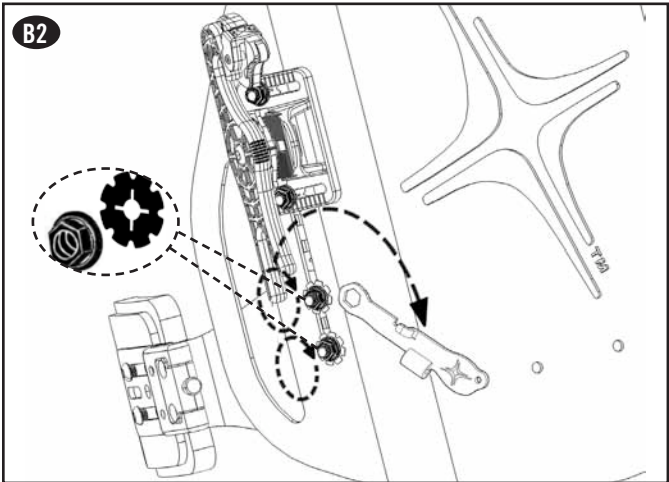
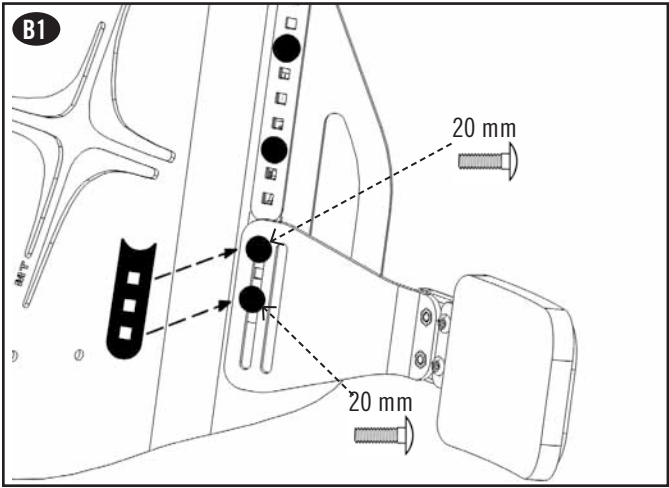
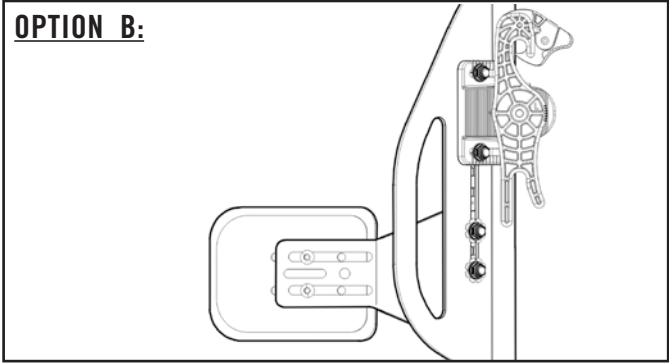
**WARNING:** Make sure all hardware is securely tightened prior to the user being seated. If adjustments are needed, have the individual transfer out of chair, adjust as necessary and re-tighten all hardware prior to the individual being seated.

**ATTACHMENT CONTINUED**



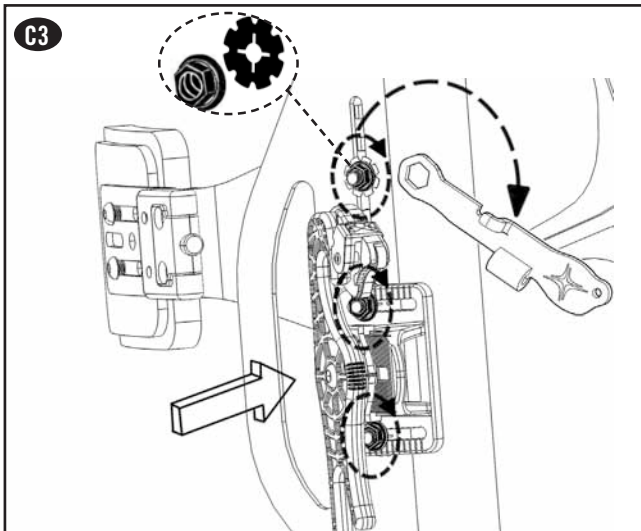
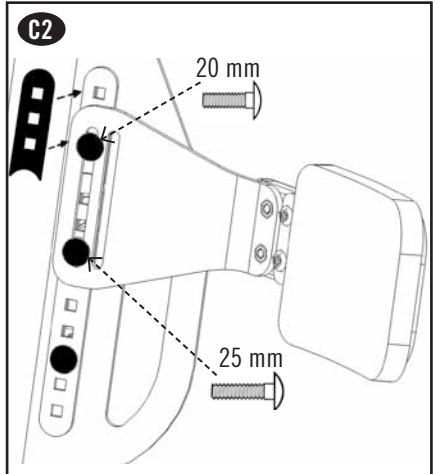
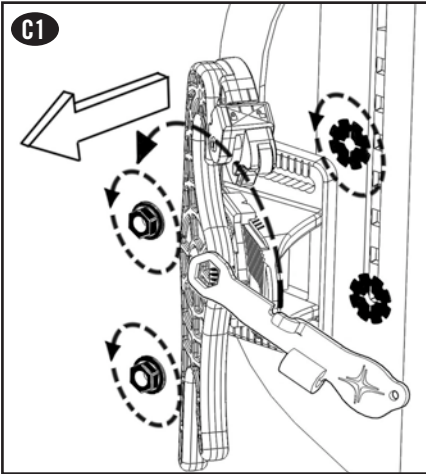
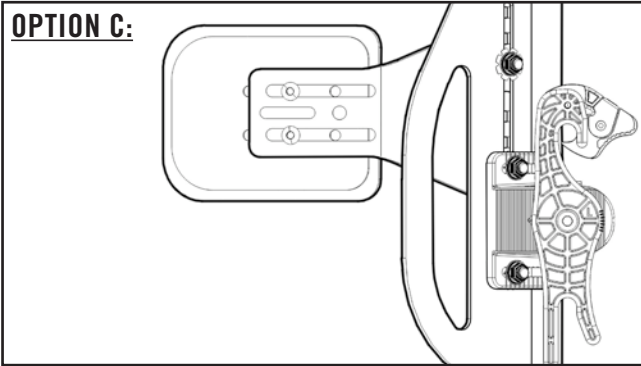


**ATTACHMENT CONTINUED**



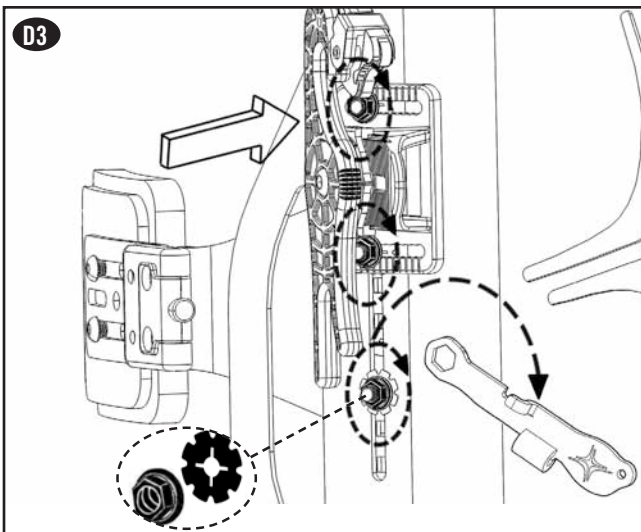
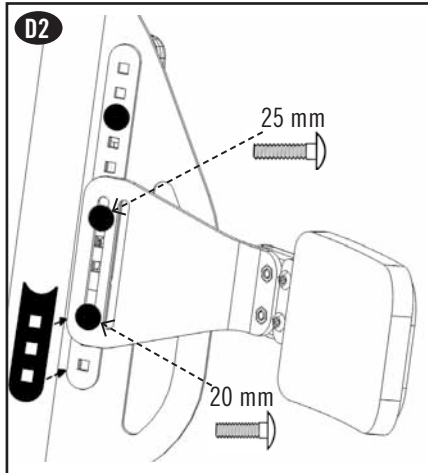
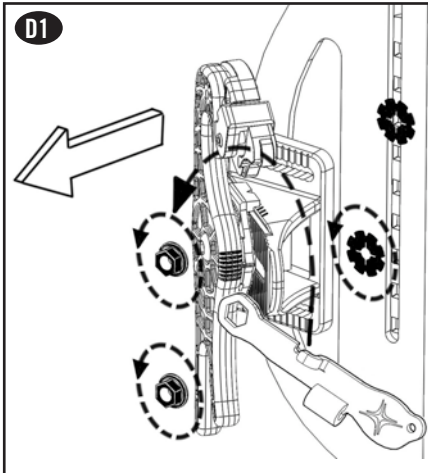
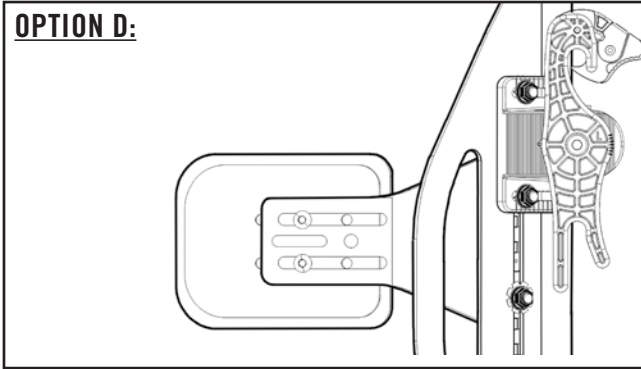
# ATTACHMENT CONTINUED

**OPTION C:**



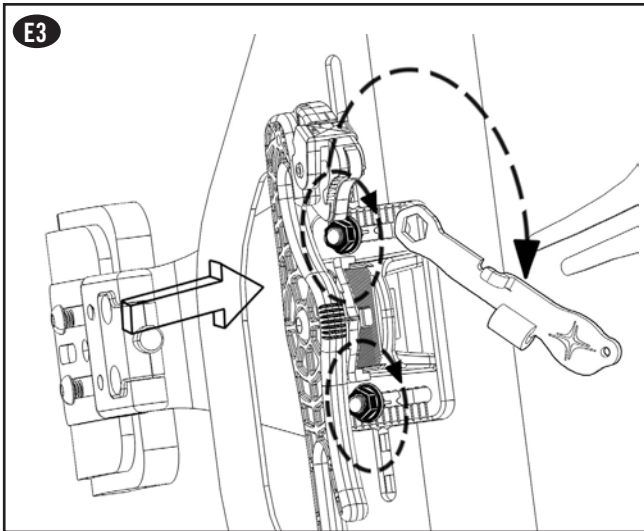
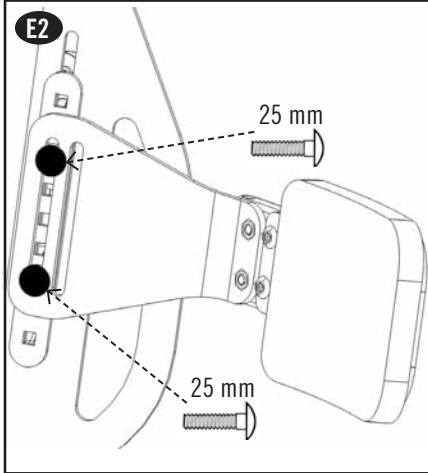
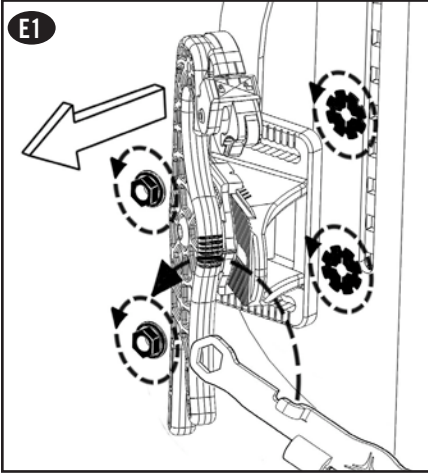
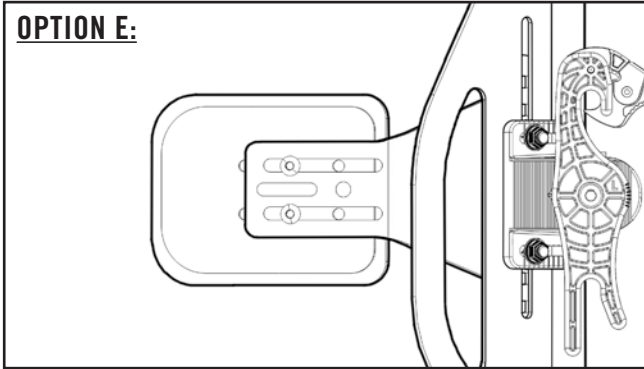
# ATTACHMENT CONTINUED

**OPTION D:**



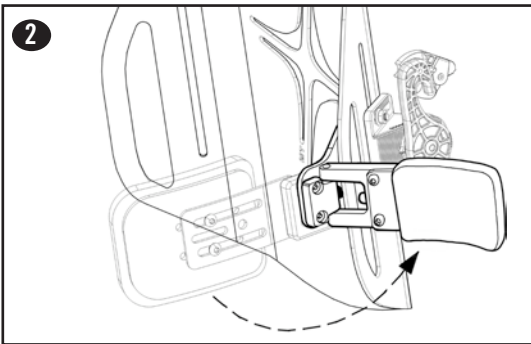
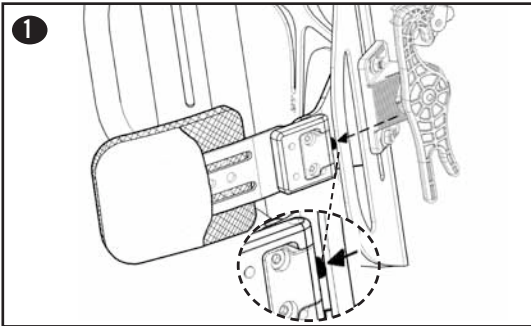
# ATTACHMENT CONTINUED

## OPTION E:

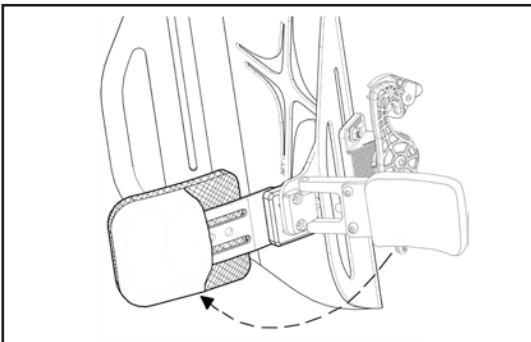


## SWING-AWAY OPERATION


### TO RELEASE:



### TO REPOSITION:

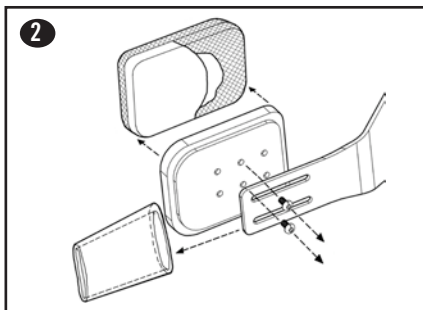
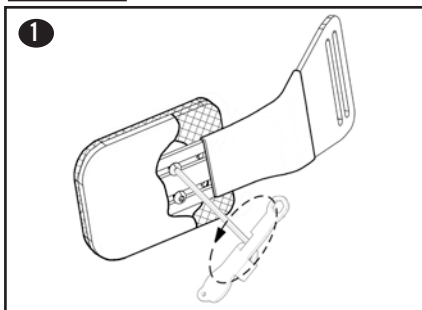


## REMOVE AGILITY LATERALS

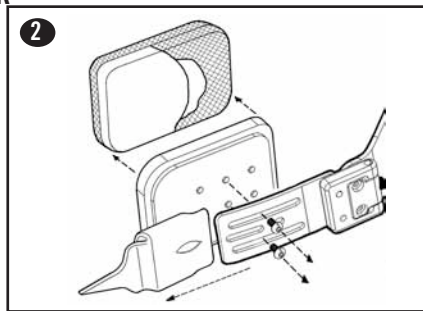
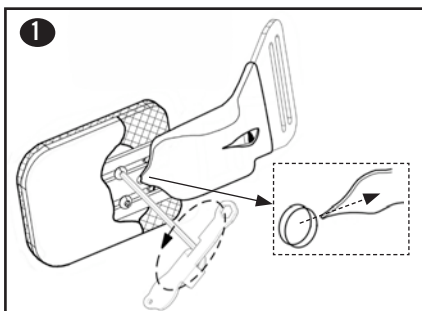
1. Follow steps from Options A, B, C, D or E in reverse.
2. Replace all original AGILITY back shell hardware.
3.  **IMPORTANT!** AGILITY width, height, depth or angle adjustments may be necessary if AGILITY Laterals have been attached and removed. See AGILITY Back Systems Operation Manual for adjustment instructions.

# REMOVE AND REPLACE-SLEEVE, COVER, FOAM PAD AND BASE

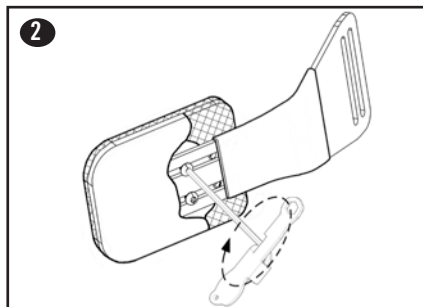
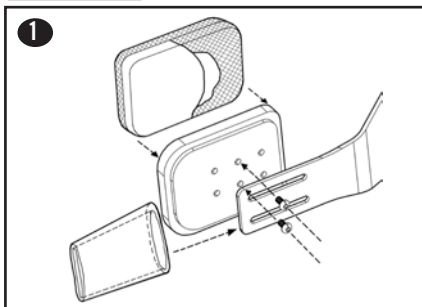
## TO REMOVE:



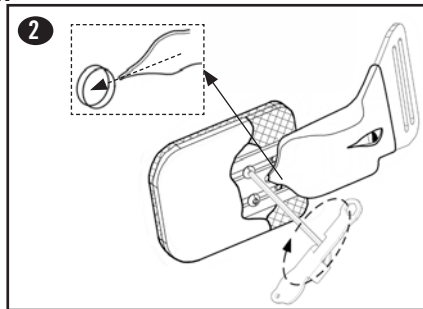
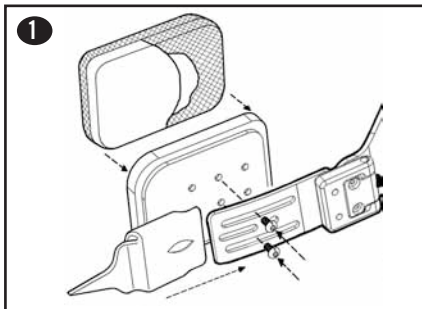
- OR -



## TO REPLACE:




- OR -



## CLEANING AND DISINFECTING

Cleaning and disinfecting are two separate processes. Cleaning **MUST** precede disinfection.














**Note:** Product **MUST** be cleaned, disinfected, and checked for proper functioning between use by different individuals.

 **CAUTIONS: DO NOT** use abrasives such as steel wool or scouring pads on AGILITY Laterals.

**DO NOT** use cleaning products containing petroleum or organic solvents including acetone, toluene, Methyl Ethyl Ketone (MEK), naphtha, dry cleaning fluids, adhesive removers, etc. on AGILITY Laterals.



= Wipe with damp cloth

AGILITY Laterals Components	To Clean:	To Disinfect:
Lateral bracket:	 	 
	Hand wash in warm (40°C) water with soap and a sponge. Rinse with clean water. Wipe dry with a clean cloth and then allow to air dry completely.	Wipe gently with a cloth dampened with a household disinfectant. Rinse with clean water. Wipe dry with a clean cloth and then allow to air dry completely.
Cover and sleeve: <b>Note:</b> Remove the cover and sleeve before cleaning and disinfecting.	 	 +  or   1:9
	Machine wash in warm (40°C) water with mild detergent. Air dry.	Hand wash in warm (40°C) water using 1 part household liquid bleach per 9 parts water. Rinse thoroughly with clean water. The cover may also be machine washed in hot (60°C) water to disinfect. Air dry.   <b>Note:</b> If using bleach, follow container label instructions.
Foam pad and base:	 	<b>Note:</b> Disinfectants are <b>NOT</b> effective on porous surfaces such as foam. Replacement foam components may be purchased separately. Soiled or contaminated foam components <b>MUST NOT</b> be used by different individuals.
	Wipe lightly with a damp cloth. <b>DO NOT</b> use soap. <b>DO NOT</b> submerge in water. Wipe off with a clean cloth. Completely air dry before replacing in cover.	

## MAINTENANCE

Check AGILITY Laterals screws, clamps and brackets for wear, breakage and tightness daily. Retighten loose screws following the instructions throughout this manual.

## DISPOSAL

When properly used and disposed of, there are no known environmental hazards associated with the components of the products in this manual. Dispose of the product and/or components in accordance with the applicable regulations in your jurisdiction.

**DO NOT INCINERATE.**

## RETURN POLICY

All products returned must be new and unused, require prior authorization from ROHO Inc. and are subject to a restocking charge. Before returning a product:

**In the U.S.A.**, contact the ROHO, Inc. Warranty Service Department.

**Outside of the U.S.A.**, contact your country's ROHO distributor.



## LIMITED WARRANTY

### What is Covered?

ROHO, Inc. covers any defects in materials or workmanship of the product.

### For how long?

From the date the product was originally purchased:

<b>AGILITY Laterals Components</b>	Brackets	- 36 months
	Sleeve, Cover, Foam Pad and Base	- 6 months

### What is not Covered?

A product that has been misused, damaged by an accident, or damaged from “an act of Nature”, e.g., flood, tornado, earthquake or fire. Any substitutions of supplied product accessories or modification to the product will void the warranty.

### What the customer must do.

**Within the U.S.A.**, the customer must contact the ROHO, Inc. Warranty Service Department.

**Note:** Any items sent to ROHO, Inc. without prior authorization will not be returned to the customer. **Outside the U.S.A.**, contact your country’s ROHO International distributor.

### Questions?

See CONTACT INFORMATION.

### Disclaimer.

Any implied warranties, including the MERCHANTABILITY AND FITNESS FOR A PARTICULAR PURPOSE, are limited to the same time period of the product types referenced above in the “For How Long” section, and any action for a breach of such warranties or any express warranties herein must be commenced within that time. ROHO, Inc. shall not be responsible for any incidental or consequential damages with respect to economic loss to property, whether as a result of a breach of express or implied warranties or otherwise.

### Your Rights and the Effect of this Warranty upon Them.

This warranty restricts the duration of all implied warranties as noted above and limits or excludes recovery for incidental or consequential damages. Some jurisdictions do not allow limitations on how long implied warranties will last, and some jurisdictions do not allow the exclusion or limitation of consequential or incidental damages, so those provisions may not apply to you. While this warranty gives you specific legal rights, you may also have other rights which vary from jurisdiction to jurisdiction.

171-OMLP-2012  
Item # T20216  
Revision: 10/01/12  
Print Date: 10/12/12



The Quality Management System  
of ROHO, Inc. is certified to  
ISO 9001:2008 and ISO 13485:2003.



MDSS GmbH  
Schiffgraben 41  
30175 Hannover, Germany

