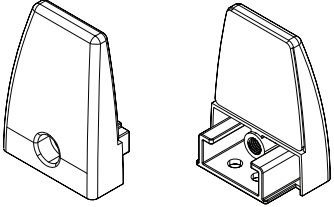
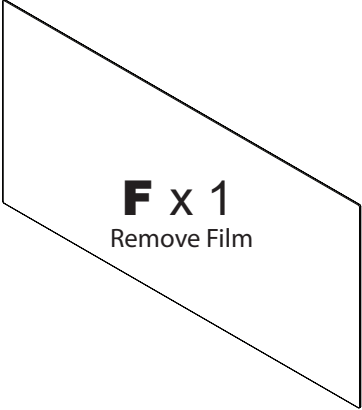
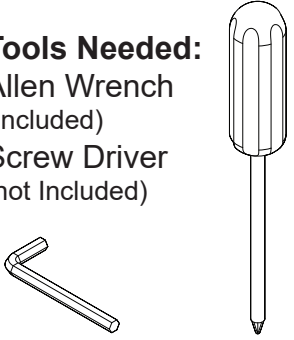


DIVTT 3 Clamp Table Top Divider Panel Assembly Guide

Part List

Tools Needed:
Allen Wrench
(Included)
Screw Driver
(not Included)

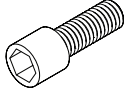


D x 3

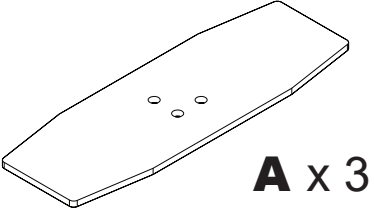
B x 3



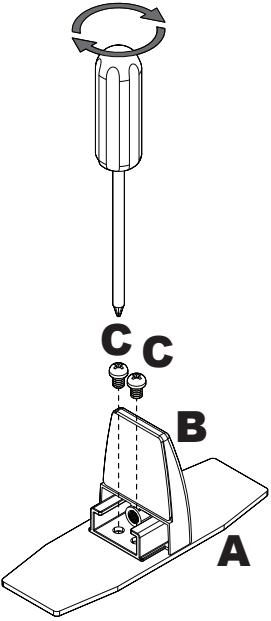
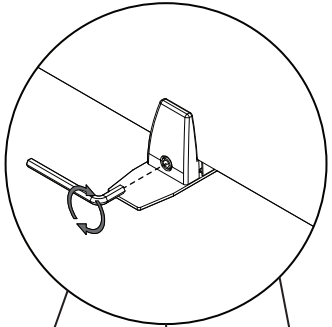
C x 6
M4 x 5mm



E x 3
M6 x 16mm

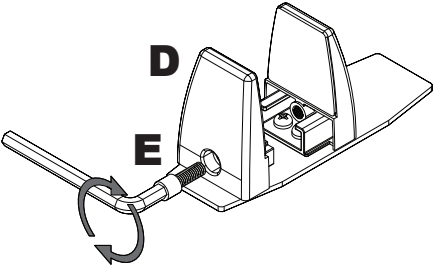


A x 3



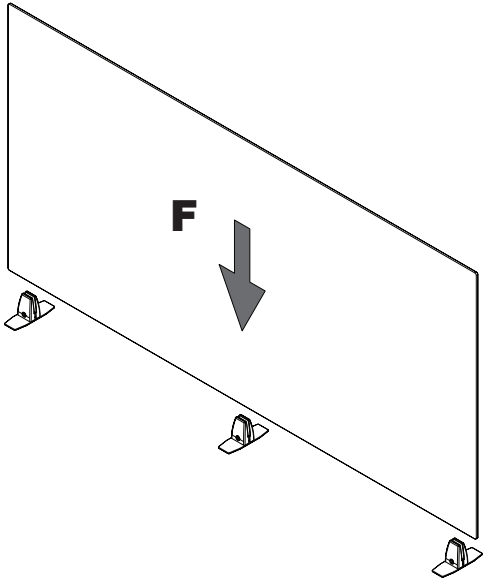
1

Attach B to A with Screws C



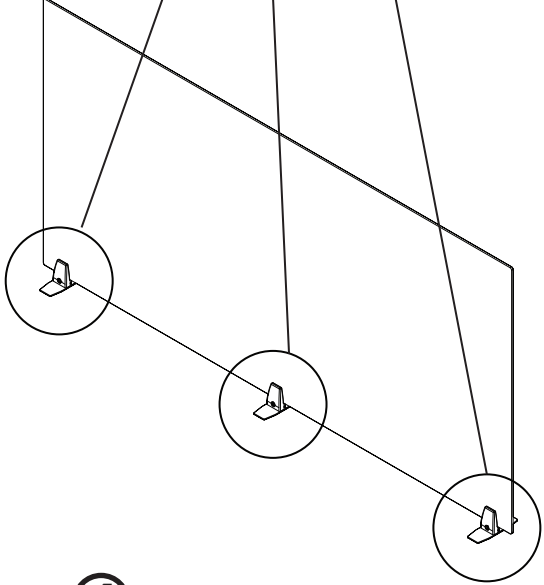
2

Attach D with Screw E



3

Install F into Assembled Clamps



4

Tighten Clamps