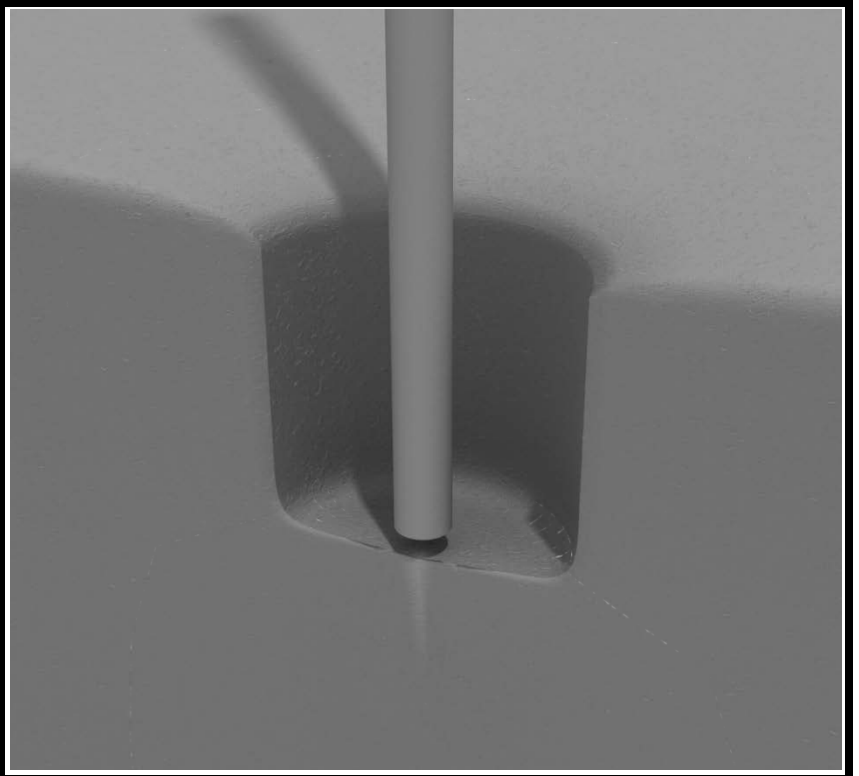


Post Installation

STEP: 1

**DO NOT CEMENT POSTS INTO PLACE
UNTIL THE ENTIRE STRUCTURE IS
ASSEMBLED.**

Refer to the General Installation
guide footing information and dig
proper holes for the support posts.



10859 Washington
St. Suite 200,
Indianapolis, IN
1-800-667-0097

Created By: Aaron Price
Date: 04/26/2018

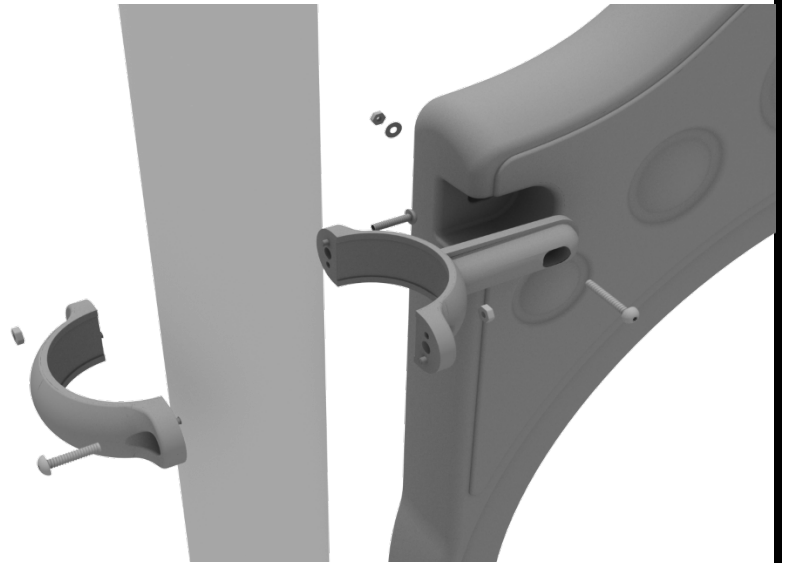
3.5-inch Clamp Installation Examples

The following three pages will include examples of how to install some of the most common types of Clamps that are present on our structures that use 3.5-inch outside diameter posts. The structure that you are assembling might not require all the types of clamps listed in these examples.

The Install Guides for specific components that come later in this document might call for a specific type of clamp (a tube clamp for example), those sections will not include detailed instructions for the clamps and should direct you back to this section for more detailed information.

3.5-inch Flat Clamp Install Example

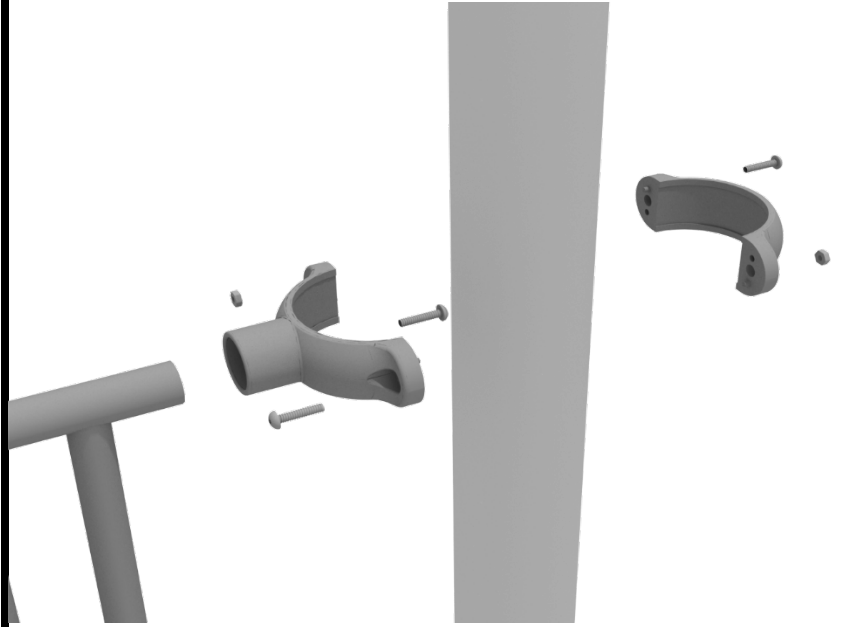
Connect half of the flat clamp to the component using one (1) M8*40 bolt. Then, using the other half of the flat clamp and the hardware provided in the clamp hardware bag, attach the backside of the flat clamp around the post.



3.5-inch Clamp Installation Examples

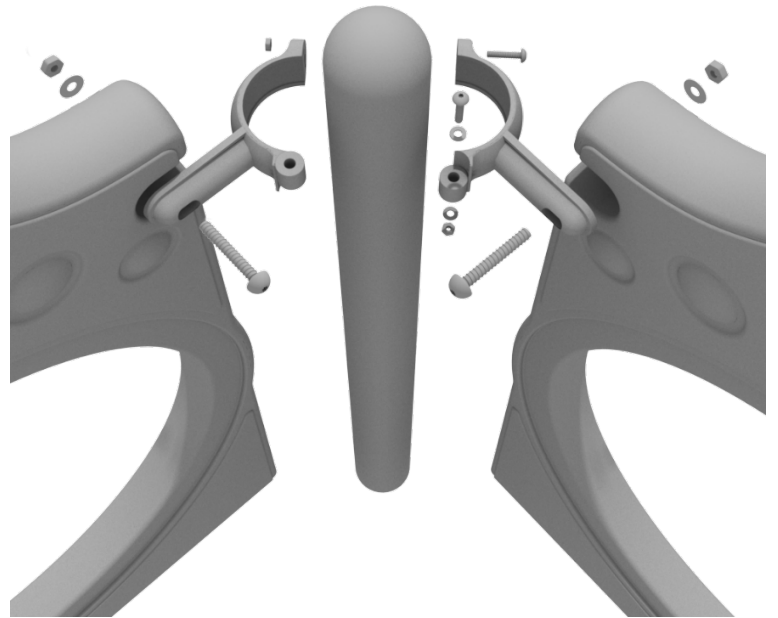
3.5-inch Tube Clamp Install Example

Connect half of the clamp to the component using one (1) M8*30 bolt. Then, using the other half of the tube clamp and the hardware provided in the clamp hardware bag, attach the backside of the tube clamp around the post.



3.5-inch 90-Degree Flat Clamp Install Example

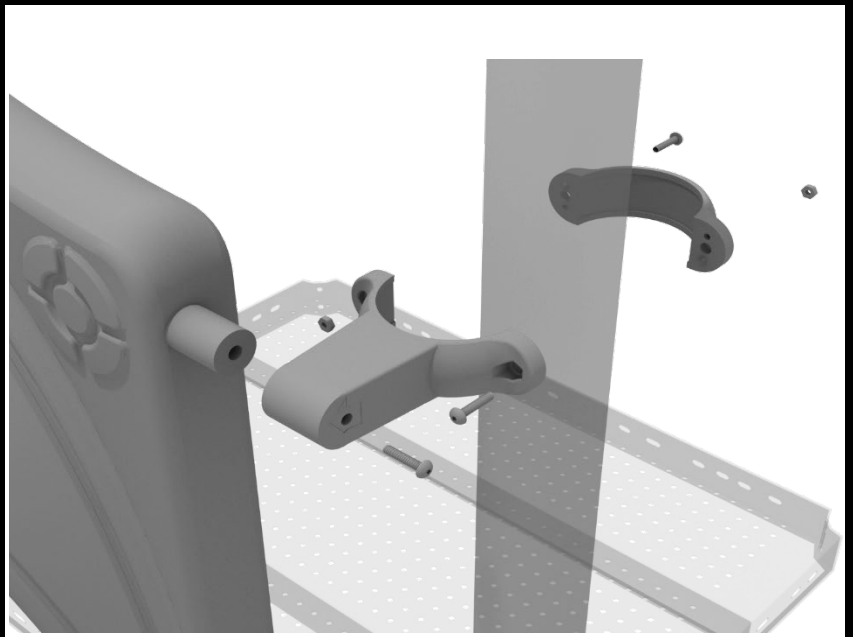
Connect half of the flat clamp to one panel using one (1) M8*40 bolt. Then, using the other half of the flat clamp and the hardware provided in the clamp hardware bag, attach the other half of the tube clamp around the post. Then, attach the next panel to the other side of the clamp using the same process.



3.5-inch Clamp Installation Examples

3.5-inch Double Slide Clamp Install Example

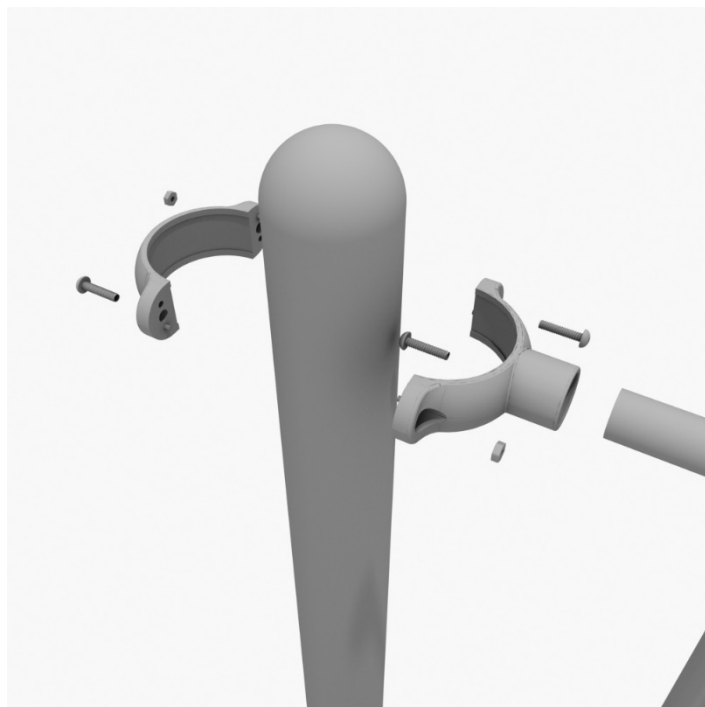
Connect half of the double slide clamp to the double slide hood using one (1) M8*30 bolt. Then, using the other half of the clamp and the hardware provided in the clamp hardware bag, attach the backside of the double slide clamp around the post.



36" Transfer Station (for 3.5" post) Install

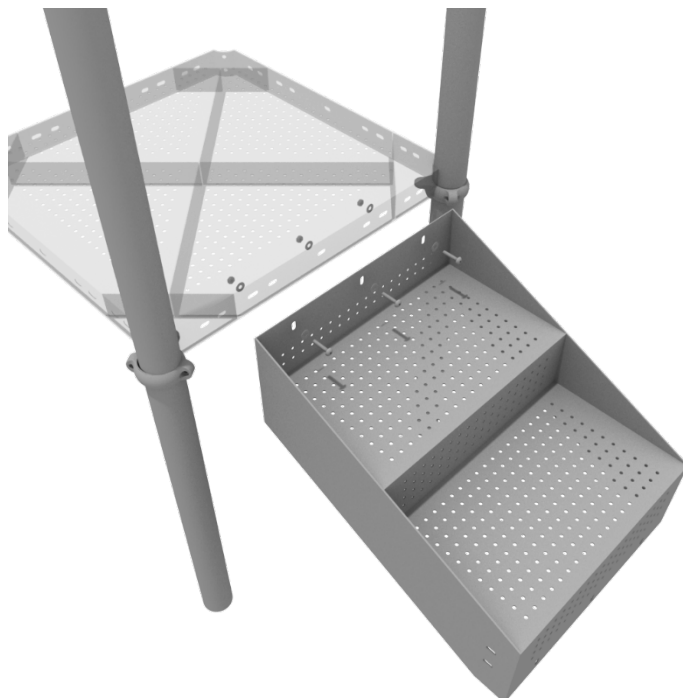
STEP: 1

Connect half of the 3.5-inch tube clamp to the handrail using one (1) M8*30 bolt. Set the handrail into place, then attach the second half of the clamp using the hardware provided in the clamp bag. Repeat this process for the other handrail.



STEP: 2

Using three (3) M10*25 bolts, six (6) M10 washers, and three (3) M10 lock nuts, attach the top of the stairs to the square deck.



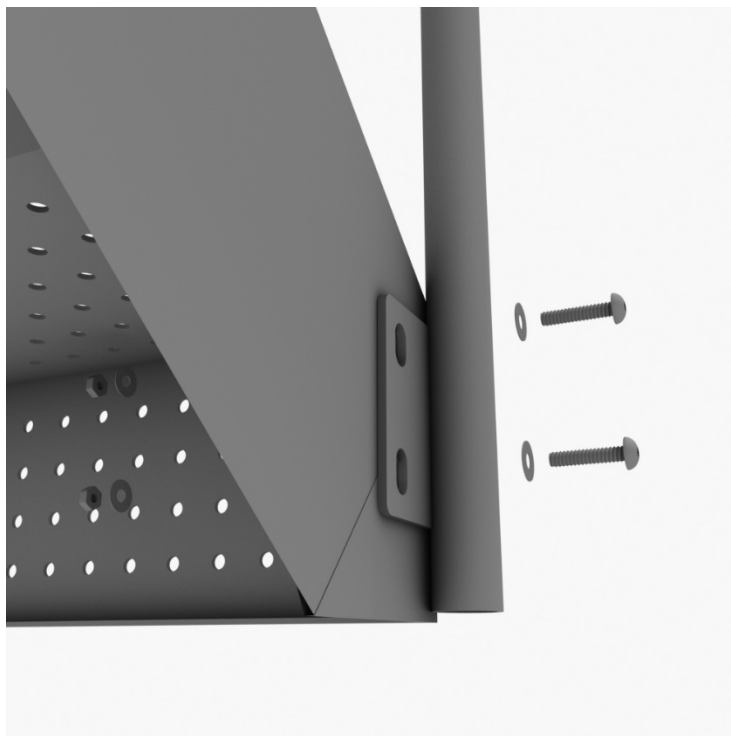
10859 Washington St. Suite
200, Indianapolis, IN
1-800-667-0097

Created By: Aaron Price
Date Modified: 3/13/18

36" Transfer Station (for 3.5" post) Install

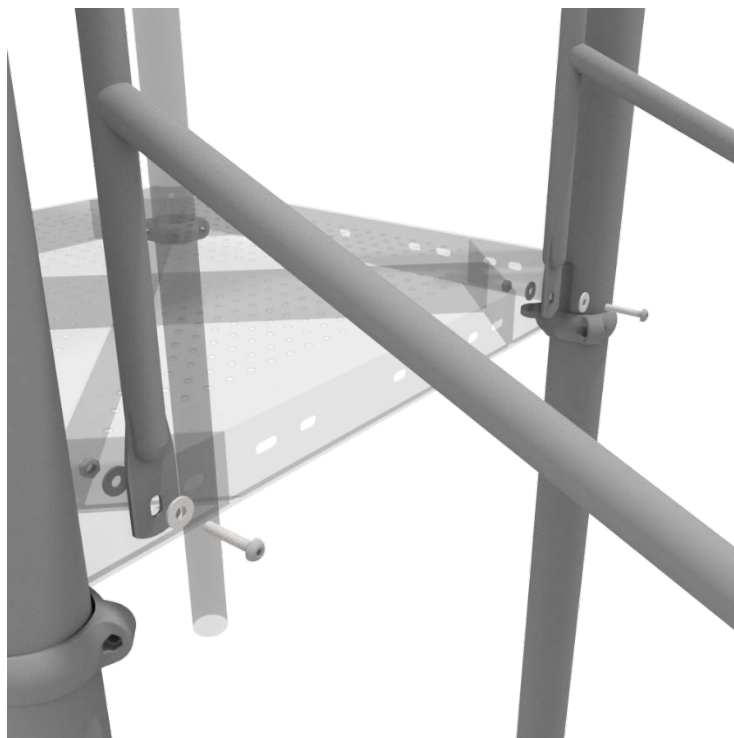
STEP: 3

Using four (4) M10*25 bolts, eight (8) M10 washers, and four (4) M10 lock nuts, connect the bottom of the handrails to the bottom of the 3-foot transfer stair.



STEP: 4

Using two (2) M10*25 bolts, four (4) M10 washers, two (2) lock nuts, attach the handrail to the square deck.



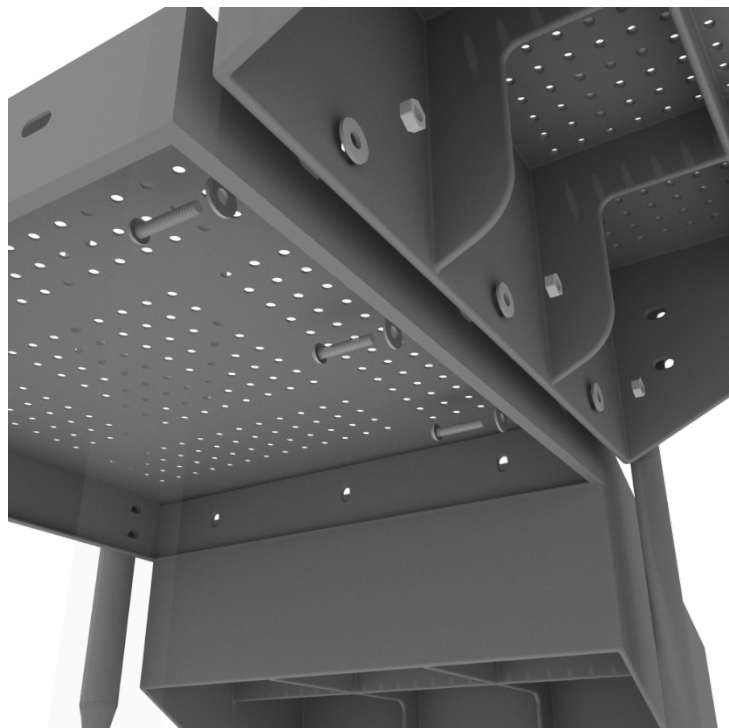
10859 Washington St. Suite
200, Indianapolis, IN
1-800-667-0097

Created By: Aaron Price
Date Modified: 3/13/18

36" Transfer Station (for 3.5" post) Install

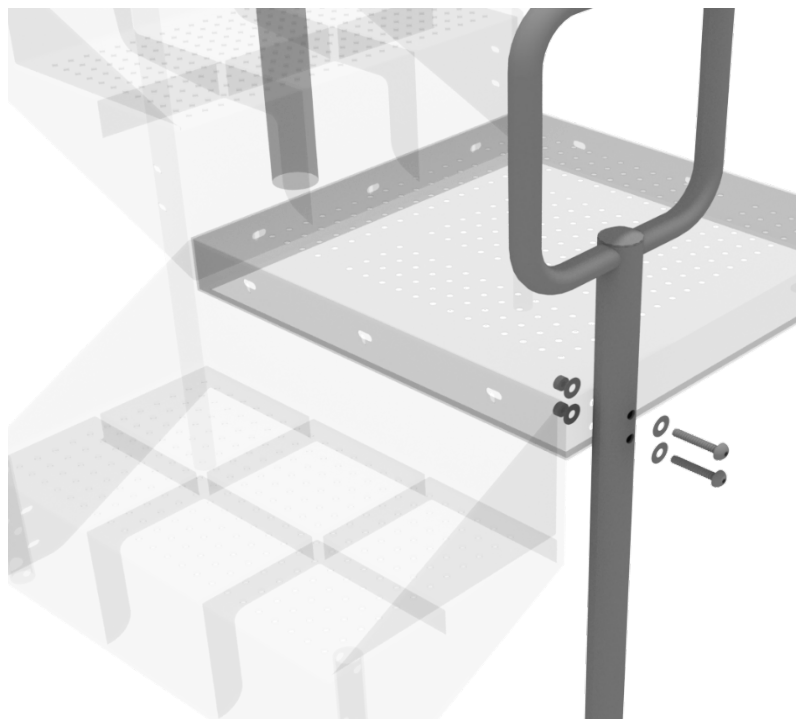
STEP: 5

Using three (3) M10*25 bolts, six (6) M10 washers, and three (3) M10 lock nuts, attach the ADA transfer deck to the base of the 3-foot ADA transfer stair.



STEP: 6

See general installation guide regarding footing information for the transfer deck handrail & mount. Using two (2) M10*65 bolts, four (4) M10 washers, and two (2) M10 lock nuts, attach the transfer handrail to the ADA transfer deck.



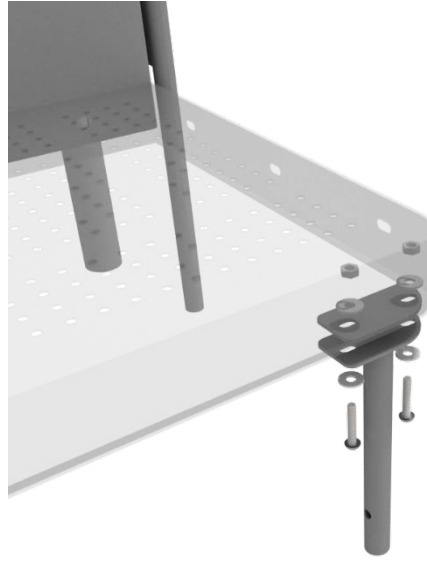
10859 Washington St. Suite
200, Indianapolis, IN
1-800-667-0097

Created By: Aaron Price
Date Modified: 3/13/18

36" Transfer Station (for 3.5" post) Install

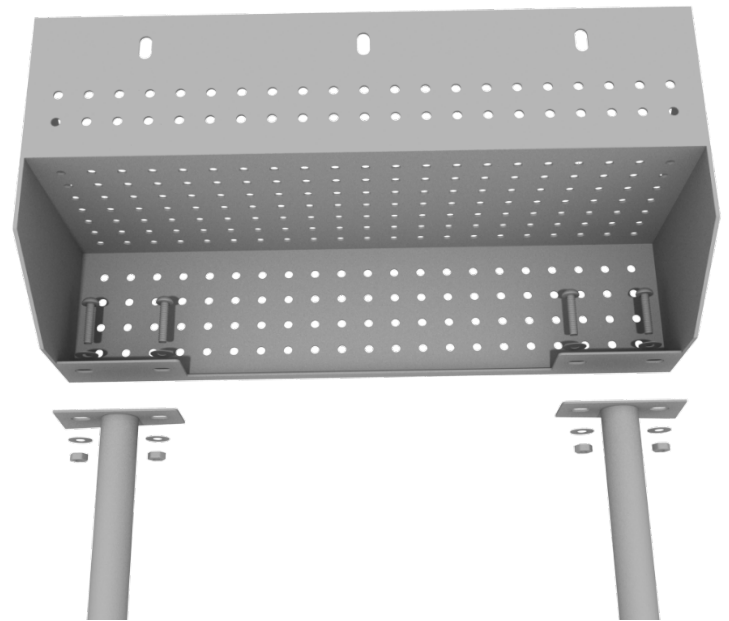
STEP: 7

Using two (2) M10*25 bolts, four (4) M10 washers, and two (2) lock nuts, attach the transfer deck mount to the ADA transfer deck.



STEP: 8

See general installation guide regarding footing information for the ADA transfer step mount. Using two (2) M10 bolts, four (4) M10 washers, and two (2) M10 lock nuts, attach the transfer step to each ADA transfer step mount.



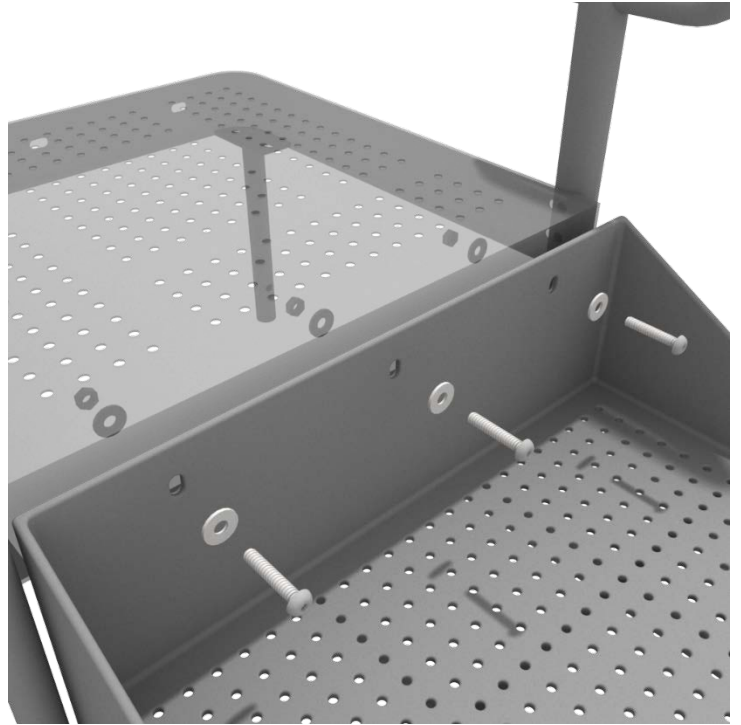
10859 Washington St. Suite
200, Indianapolis, IN
1-800-667-0097

Created By: Aaron Price
Date Modified: 3/13/18

36" Transfer Station (for 3.5" post) Install

STEP: 9

Using three (3) M10*25 bolts, six (6) M10 washers, and three (3) M10 washers, attach the top of the ADA transfer step to the ADA transfer deck.



Square Deck Installation

STEP: 1

After the posts are in place, using four (4) M10*35 Bolts, eight (8) M10 Washers, and four (4) M10 Lock Nuts, attach each square deck to each pre-attached deck clamp as shown in the image.

Deck clamps are pre-attached to the posts and should not be altered in any way.



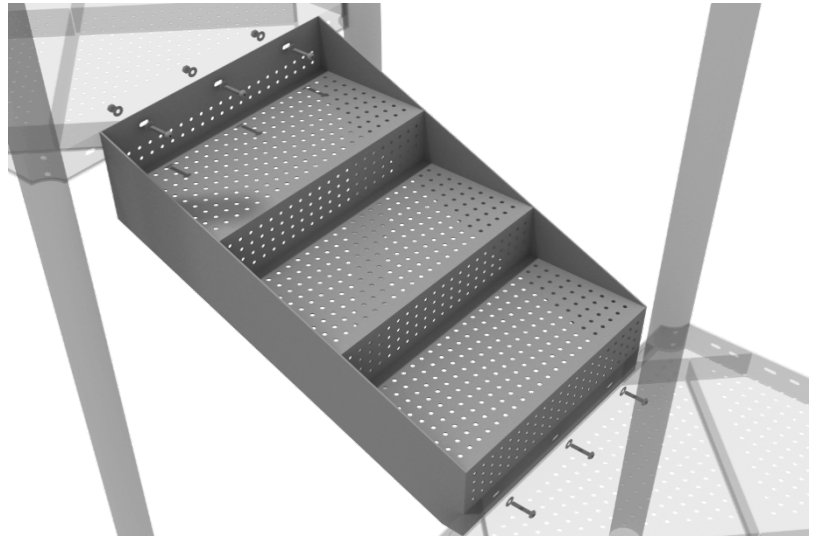
10859 Washington
St. Suite 200,
Indianapolis, IN
1-800-667-0097

Created By: Aaron Price
Date: 3/19/2018

3.5-Inch 2-foot Middle Stair Installation

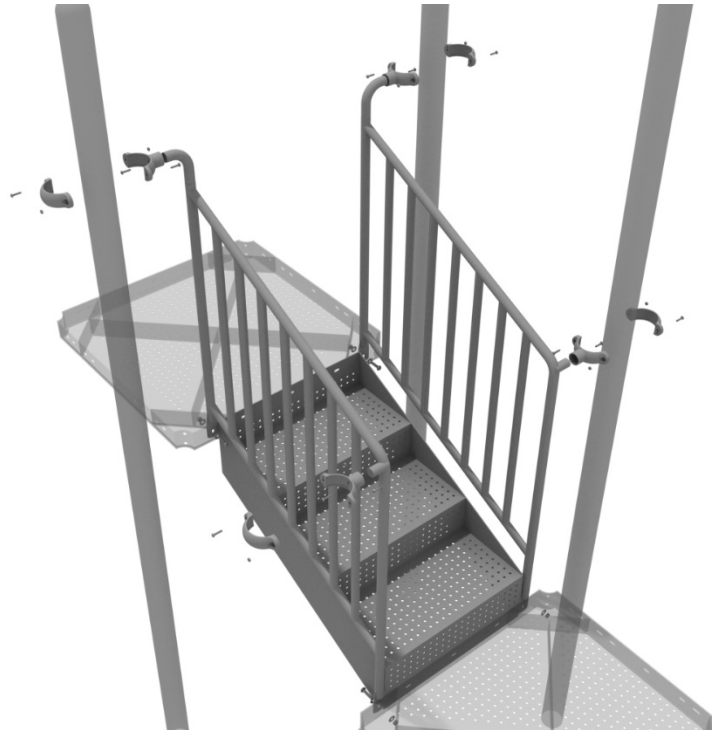
STEP: 1

Using six (6) M10*25 bolts, twelve (12) M10 washers, and six (6) M10 lock nuts, attach the 2-foot connection stair to the assigned decks.



STEP: 2

Then, once the stair is in place, attach the 2-foot connection handrail to the posts using four (4) 3.5-inch tube clamps, and four (4) M8*30 bolts. Then, attach the bottom of the handrails to the decks using one (1) M10*25 bolt, two (2) M10 washers, and one (1) M10 lock nut for each attachment point.



Created By: Derick H

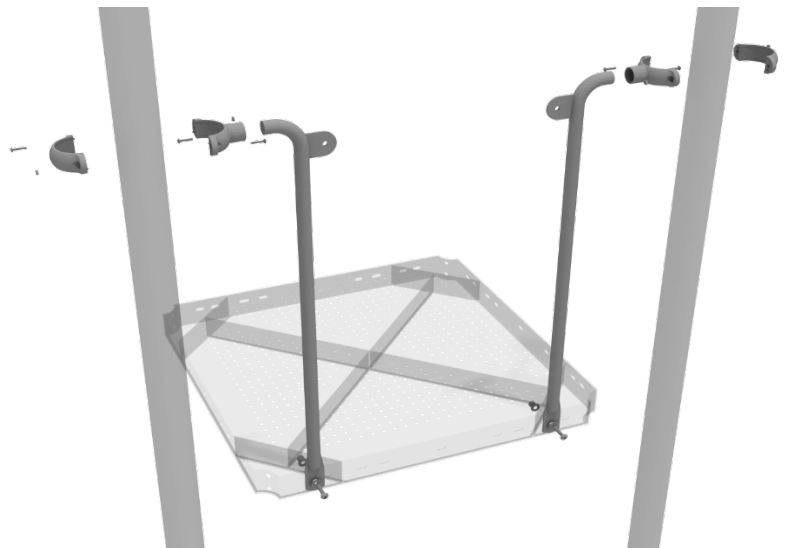
Date: 10/26/2020

10859 Washington St. Suite
200, Indianapolis, IN
1-800-667-0097

Bones Bridge Installation

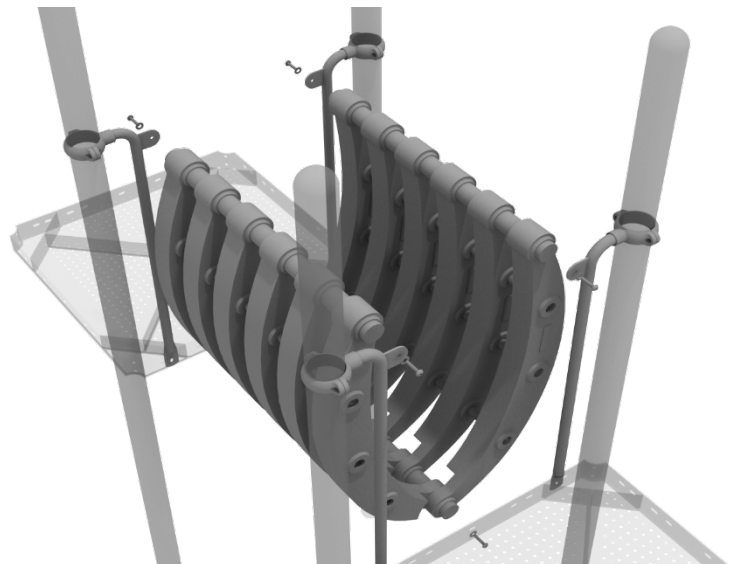
STEP: 1

Attach each bones bridge rail to the proper deck slot using one (1) M10*25 bolt, one (1) M10 washer, and (1) M10 lock nut. Then, attach the top of rails to each post using one (1) 3.5-inch tube clamp, and one M8*30 bolt.



STEP: 2

Once the rails are attached, detach and set aside the pre-attached hardware on the bottom of the bones bridge. Attach the bottom of the bones bridge to each deck using one (1) M10*30 bolt, one (1) M10 spring gasket, and one (1) M10 washer. Then, attach the top of the bones bridge to each rail using one (1) M10*30 bolt, one (1) M10 spring gasket, and one (1) M10 washer.



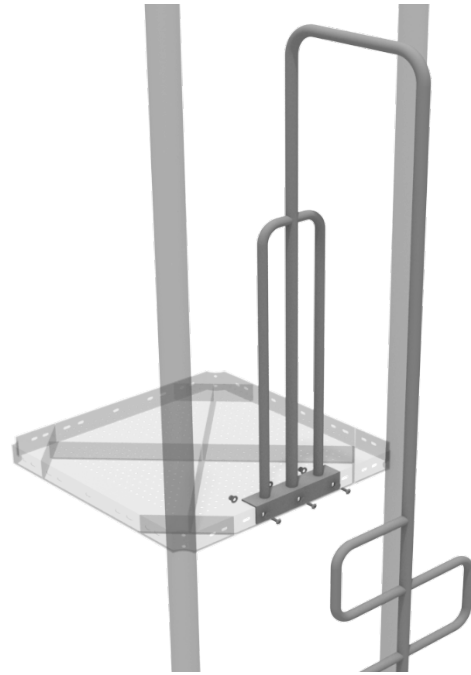
10859 Washington St. Suite
200, Indianapolis, IN
1-800-667-0097

Created By: Aaron Price
Date: 03/21/2018

Snake Climber Installation

STEP: 1

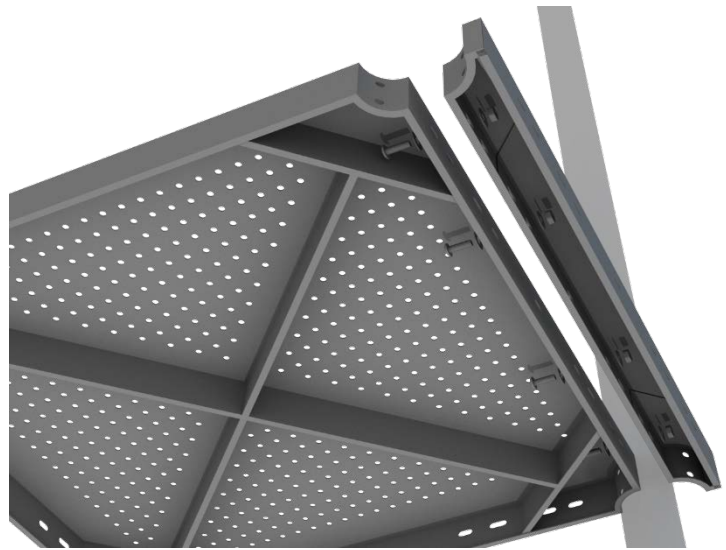
See general installation guide regarding footing information for the snake climber. Using three (3) M10*25 bolts, six (6) M10 washers, and three (3) M10 lock nuts, attach the snake climber to the square deck.



Arch Climber Installation

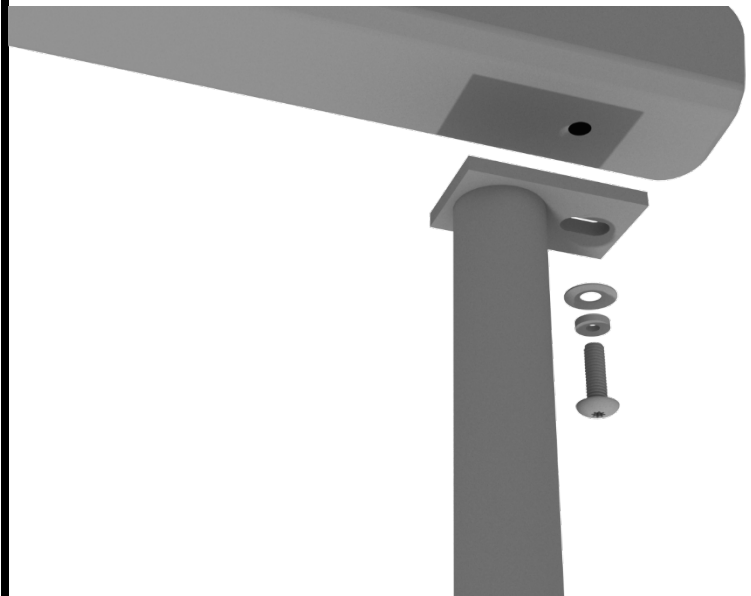
STEP: 1

Attach the deck climber extension to the proper deck using four (4) M10*25 bolts, eight (8) M10 washers, and four (4) M10 lock nuts.



STEP: 2

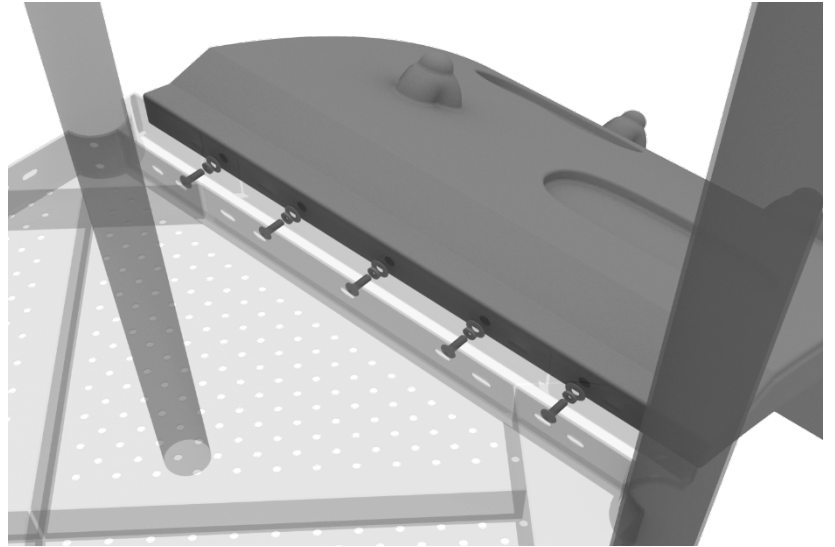
See general installation guide regarding footing information for the arch climber. Using two (2) M10*20 bolts, two (2) M10 spring gaskets, and two (2) M10 washers, attach the bottom of the arch climber to the climber support posts.



Arch Climber Installation

STEP: 3

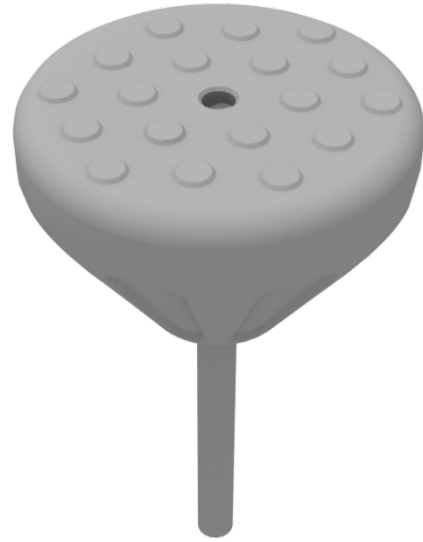
Then using five (5) M10*20 bolts, five (5) M10 spring gaskets, and five (5) M10 washers, attach the top of the arch climber to the deck extension.



Pebble Climber Installation

STEP: 1

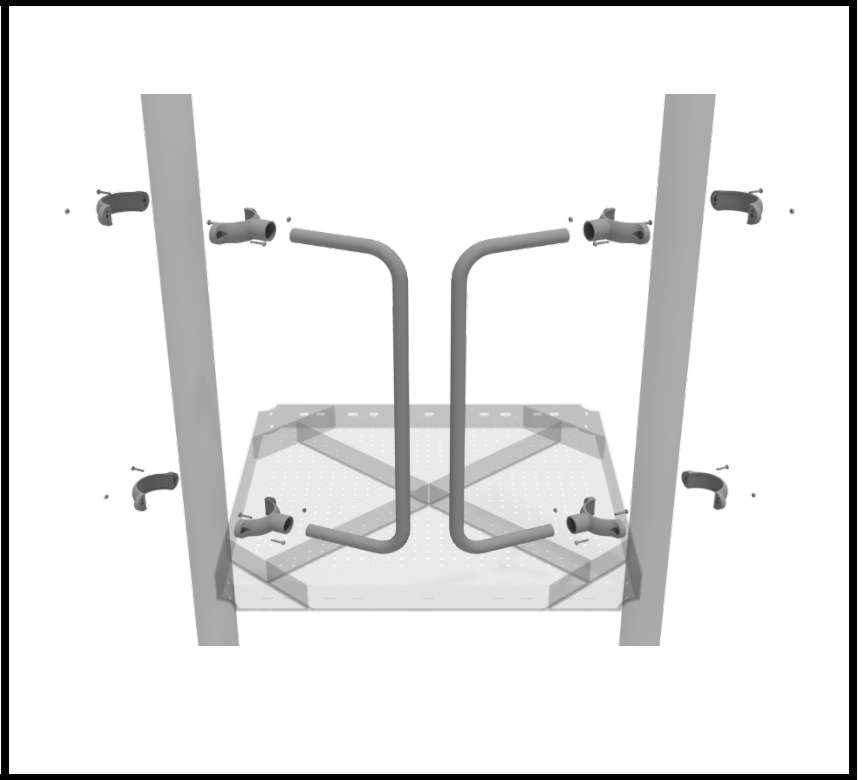
See general installation guide regarding footing information. Pebble climber requires a 12" x 18" footing.



C-Rail Installation

STEP: 1

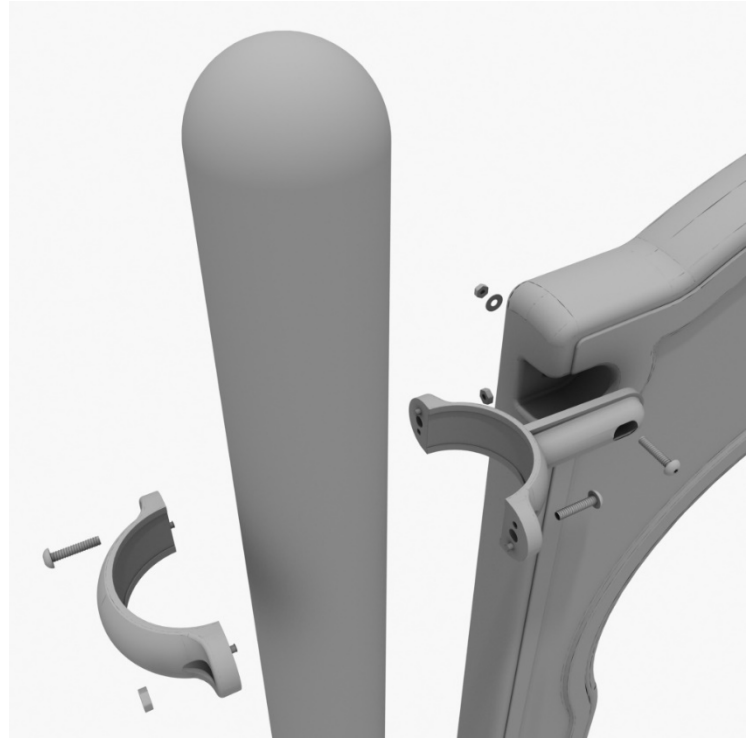
Take two (2) 3.5-inch tube clamps and connect half of the clamps both ends of the C-rail using one (1) M8*30 bolt. Then, using the other half of the tube clamp and the hardware provided in the clamp hardware bag, attach the other half of the tube clamp around the post to the C-Rail. Repeat this process for the other C-Rail.



3-foot Right Turn Slide Installation

STEP: 1

Take one (1) 3.5-inch flat clamp, and loosely attach it around a post using the bolts and nuts provided in the clamp hardware bag. Repeat this process on the other post. Then, use one (1) M8*40 bolt, one (1) M8 washer, and one (1) M8 lock nut to attach each side of the slide hood to each clamp. Leave bolts loose until slide is in place.



STEP: 2

See general installation guide regarding footing information for the slide end mount. Using two (2) M8*20, two (M8) spring washers. And two (2) M8 washers, attach the slide to the slide support post.



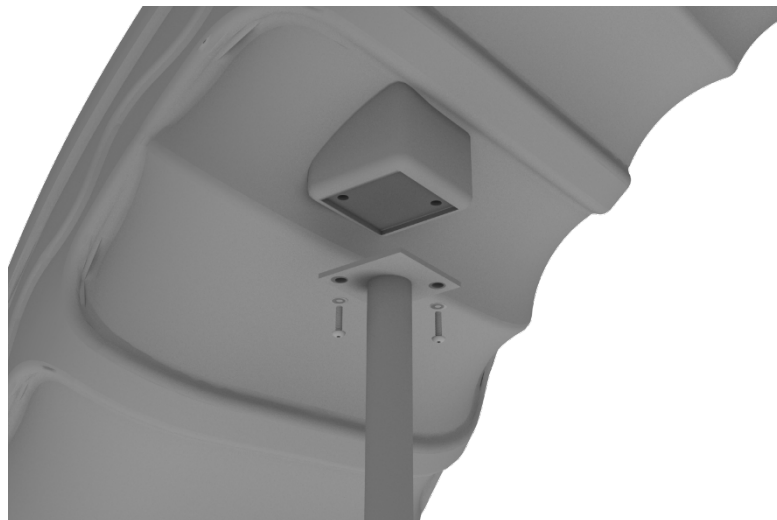
10859 Washington St. Suite
200, Indianapolis, IN
1-800-667-0097

Created By: Aaron Price
Date: 03/19/2018

3-foot Right Turn Slide Installation

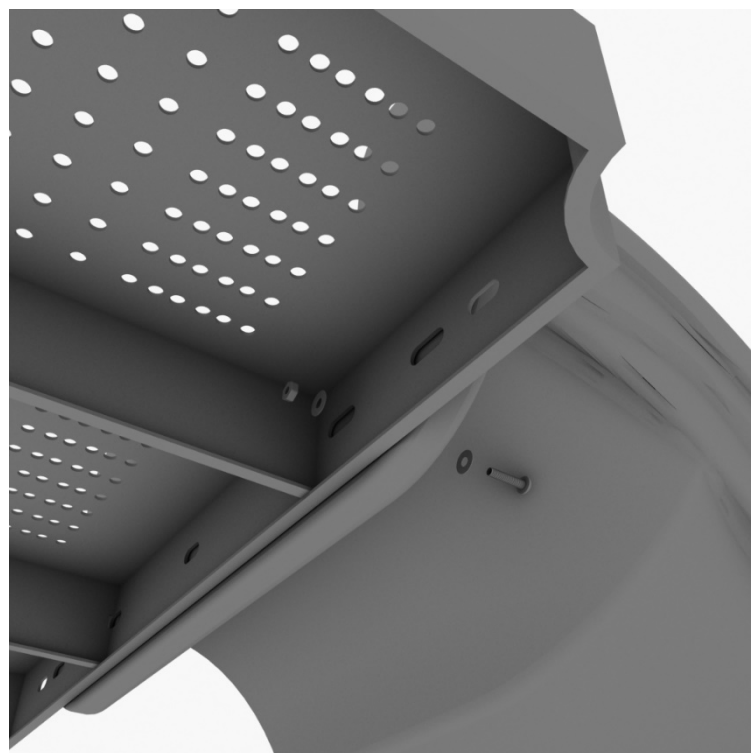
STEP: 3

See general installation guide regarding footing information for the middle slide support. Using two (2) M8*20 bolts, two (2) M8 spring washers, and two (2) M8 washers, attach the middle slide support post.



STEP: 4

Using one (1) M10*45 bolt, two (2) M10 washers, and two (2) M10 lock nuts, attach one side of the slide to the deck.



3-foot Right Turn Slide Installation

STEP: 5

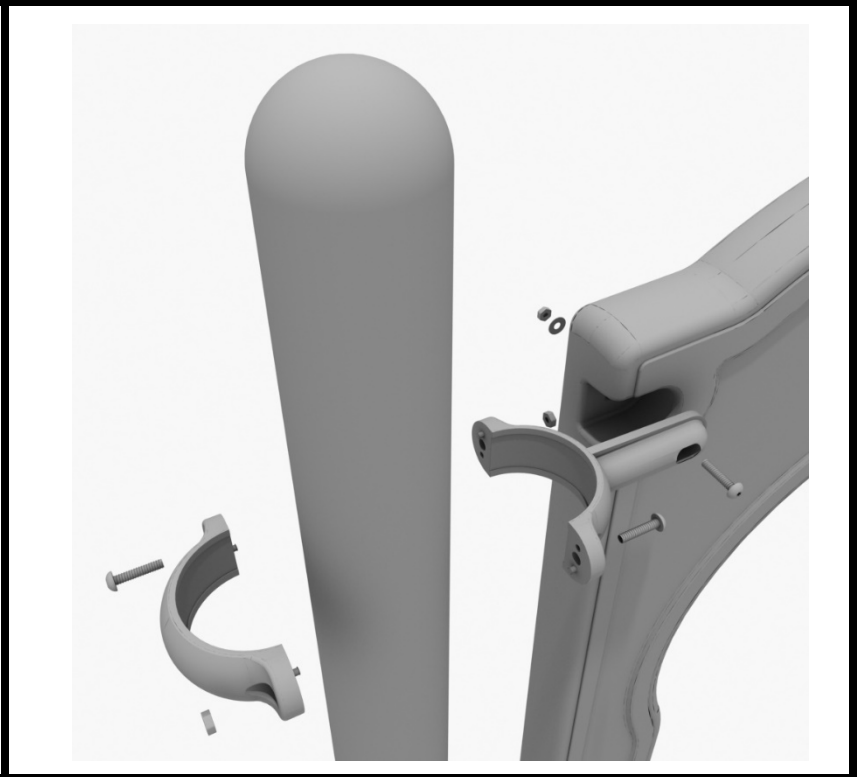
Using one (1) M8*45 bolt, one (1) M8 washer, one (1) M12 washer, and one (1) M12 inner hex spiral nut, attach the slide to one side of the slide hood. Repeat this process for the other side of the slide.



5-foot Single Straight Slide Installation

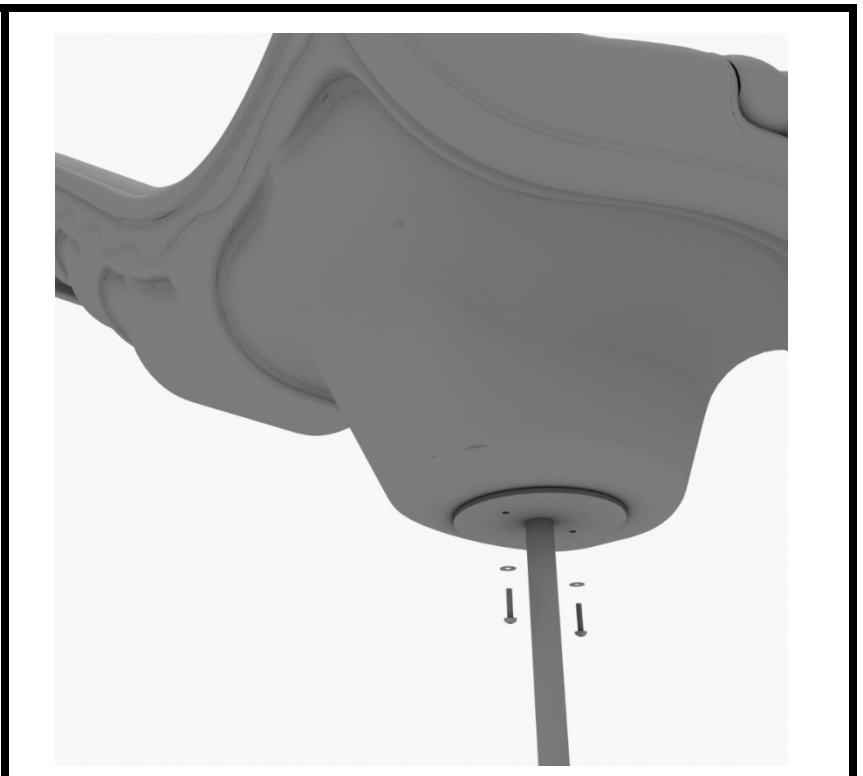
STEP: 1

Take one (1) 3.5-inch flat clamp, and loosely attach it around a post using the bolts and nuts provided in the clamp hardware bag. Repeat this process on the other post. Then, use one (1) M8*40 bolt, one (1) M8 washer, and one (1) M8 lock nut to attach each side of the slide hood to each clamp. Leave bolts loose until slide is in place.



STEP: 2

See general installation guide regarding footing information for the slide end mount. Using two (2) M8*20, two (M8) spring washers. And two (2) M8 washers, attach the slide to the slide support post.



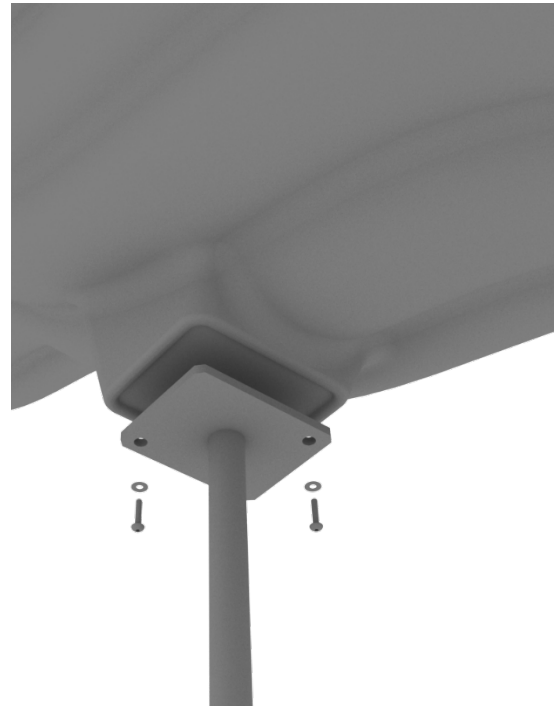
10859 Washington St. Suite
200, Indianapolis, IN
1-800-667-0097

Created By: Aaron Price
Date: 04/10/2018

5-foot Single Straight Slide Installation

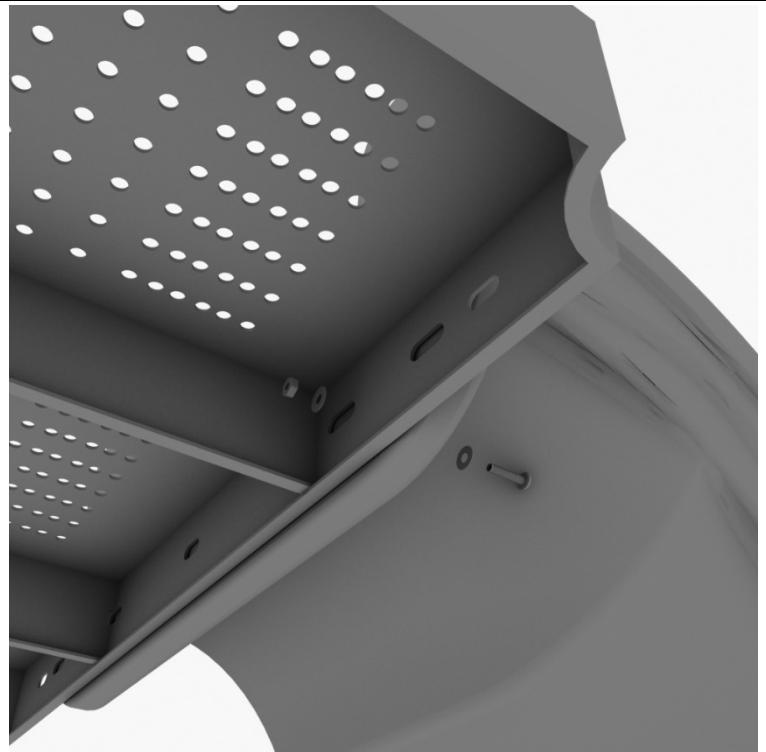
STEP: 3

See general installation guide regarding footing information for the middle slide support. Using two (2) M8*20 bolts, two (2) M8 spring washers, and two (2) M8 washers, attach the middle slide support post. Repeat the process for each middle slide mount.



STEP: 4

To attach a single slide to a deck, use two (2) M10*45 bolts, four (4) M10 washers, and two (2) M10 lock nuts. Repeat this process for the other side of the slide. Repeat this process for each single slide.



10859 Washington St. Suite
200, Indianapolis, IN
1-800-667-0097

Created By: Aaron Price
Date: 04/10/2018

5-foot Single Straight Slide Installation

STEP: 5

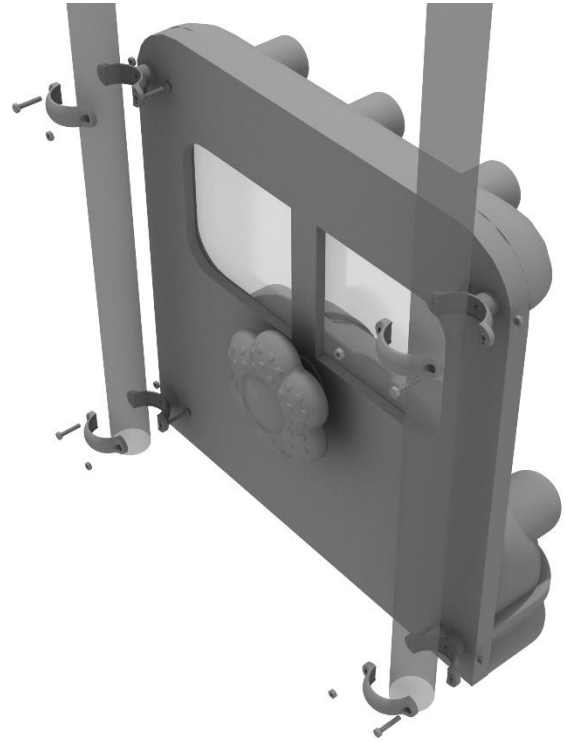
Using two (2) M8*45 bolts, two (2) M8 washer, two (2) M12 washers, and one (1) M12 inner hex spiral nut, attach the slide to the slide hood. Repeat this process for the other side of the slide.



Car Panel Installation

STEP: 1

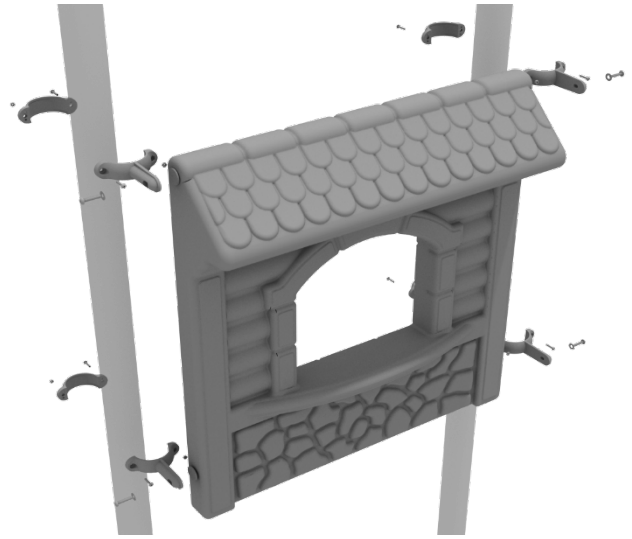
Attach the Car Panel to the designated posts using four (4) 3.5-inch tube clamps, and four (4) M8*25 bolts.



3.5-inch Store Panel Installation

STEP: 1

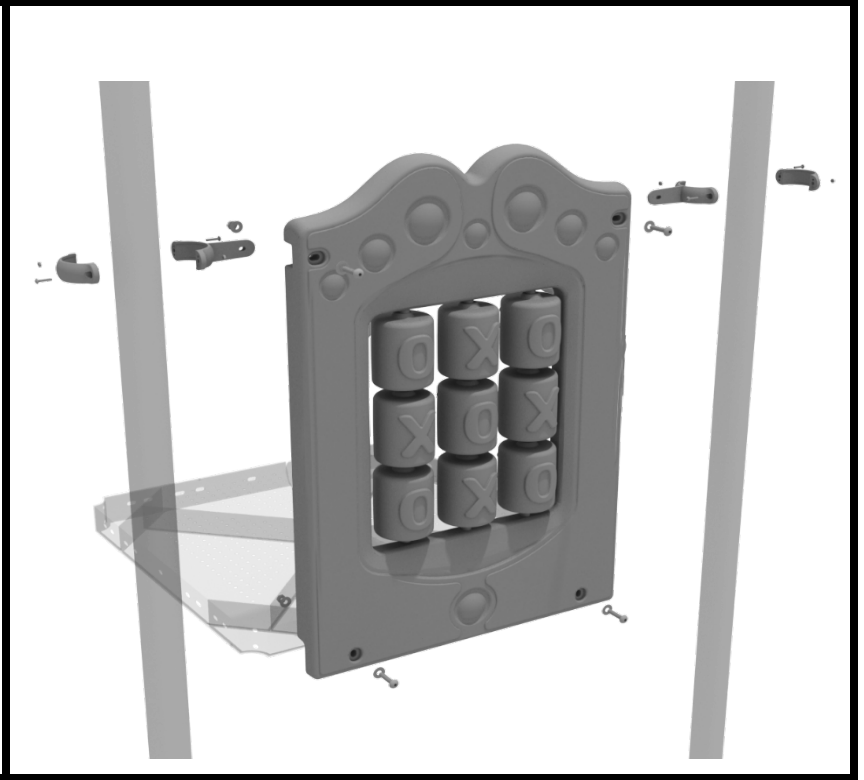
Attach the Store Panel to the designated posts using four (4) 3.5-inch flat clamps, and four (4) M8*25 bolts.



3.5-inch Tic Tac Toe Panel Installation

STEP: 1

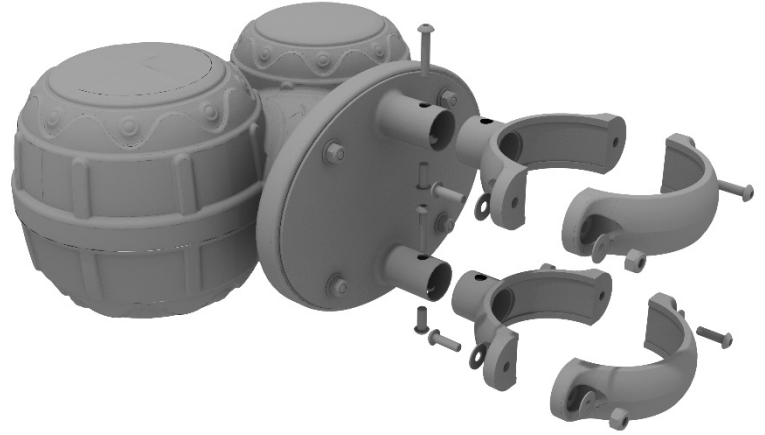
Connect the bottom of the panel to the deck using two (2) M10*50 bolts, four (4) M10 washers, and two (2) M10 lock nuts. Then attach the top of the panel to the posts using two (2) flat clamps.



Bongos Installation

STEP: 1

Detach half of the tube clamps connected to the Bongos, and re-attach the clamp around the desired support post. Recommended install height is 20 to 36 inches above surfacing depending on age range.

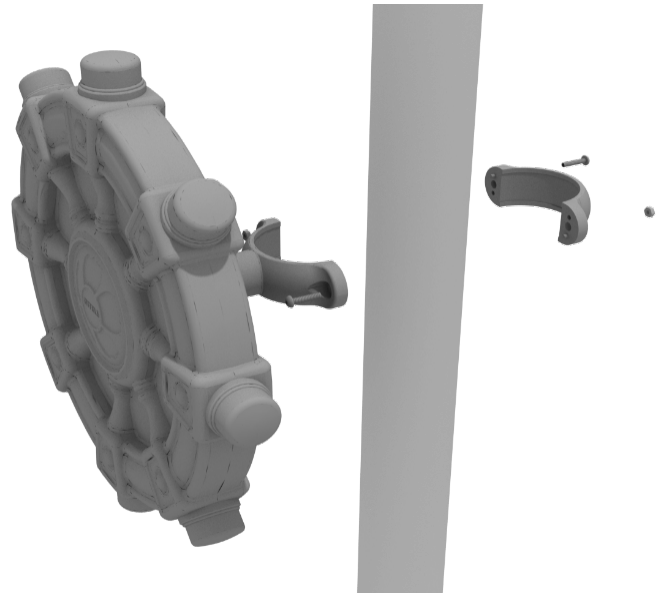


Ships Wheel Installation

Detach half of the tube clamp connected to the Ships Wheel, and re-attach the clamp around the support post, as shown in the picture. Recommended install height is 20 to 36 inches above surfacing depending on age range.

We recommend using Thread-locking fluid on bolts connecting Ship's wheel to clamp to prevent hardware from loosening over time.

(Thread-locker not supplied)



Line Roof Installation

STEP: 1

Set the line roof on top of the posts. Take four (4) self-tapping screws and drill them through the notch at each corner of the roof, into the support posts.

