



GTP1 Transfer platform Technical specifications

Functions

Safe working load (SWL)	: 175 kg (385 lbs)
Entry height	: 30 mm (1 1/4")
Handlebar	: High friction, multi grip
Baseplate	: High friction

Operation

Knee pad	: Manual
Push-button	: 35 N
Brake, foot operated	: 85 N

Weight

Total	: 13 kg (29 lbs)
Baseplate	: 8 kg (18 lbs)
Ladder	: 5 kg (11 lbs)

Materials

Aluminium, stainless steel, polyurethane foam, plastic

Measurements

A	: 1182 mm (46 1/2")
B	: 530 mm (20 3/4")
C	: 630 mm (24 3/4")
D	: 380 mm (14")
E	: 209 mm (8 1/4")
F	: 30 mm (1 1/4")
G	: 63 mm (2 1/2")
H1	: 520 mm (20 1/2")
H2	: 347 mm (13 3/4")

Turning radius

Turning radius : Able to turn around own axis

Accessories/ Miscellaneous

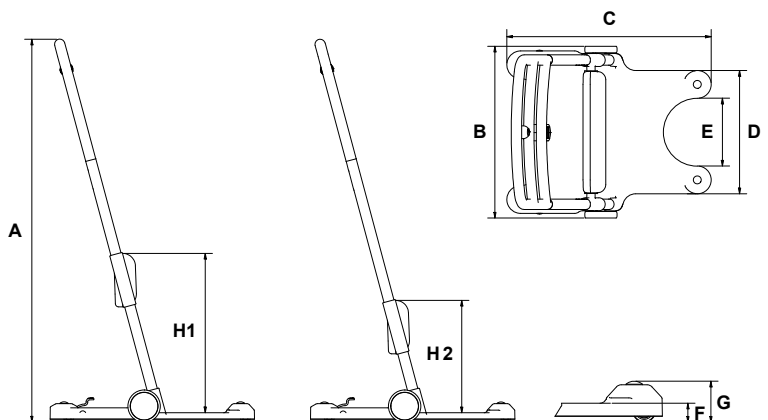
: Transfer Belt (not included)

Labelling

The product is manufactured in compliance with regulation (EU) 2017/745 of the European parliament and of the Council of 5 April 2017, as medical device Class I.

Classified

Acc. to ISO 9999 : 12 36 03



Time to care