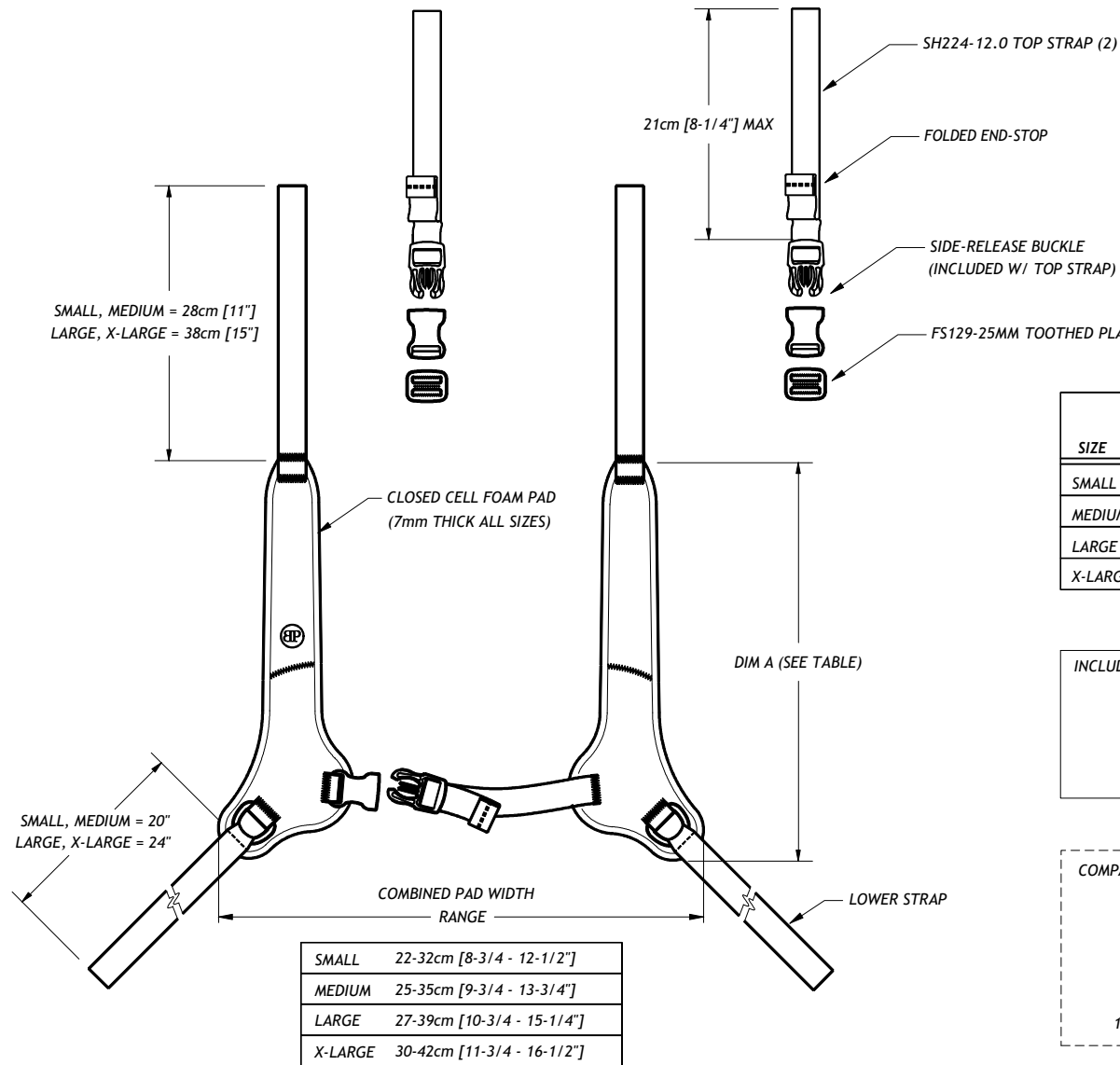




Bodypoint®

technical bulletin



SIZE	ARTICLE NUMBER	DIM A (PAD LENGTH)
SMALL	SH224S-B5	32cm [12.5"]
MEDIUM	SH224M-B5	38cm [14.75"]
LARGE	SH224L-B5	42cm [16.5"]
X-LARGE	SH224XL-B5	48cm [19.0"]

INCLUDED IN PACKAGE

HKA31-25MM
1" PLASTIC FLAT-MOUNT END-FITTINGS (4)

COMPATIBLE WITH THESE OPTIONAL END-FITTINGS (NOT INCLUDED)

HKA32-25MM
1" PLASTIC CINCH-MOUNT

FS032
1" PLASTIC CAM BUCKLE

note

description

H-STYLE SHOULDER HARNESS, REAR-PULL, TECHNICAL SPECS

drawing no.

D20-1029-01

date originated

10/29/2020

drawn by

M. KOSH

rev.

B