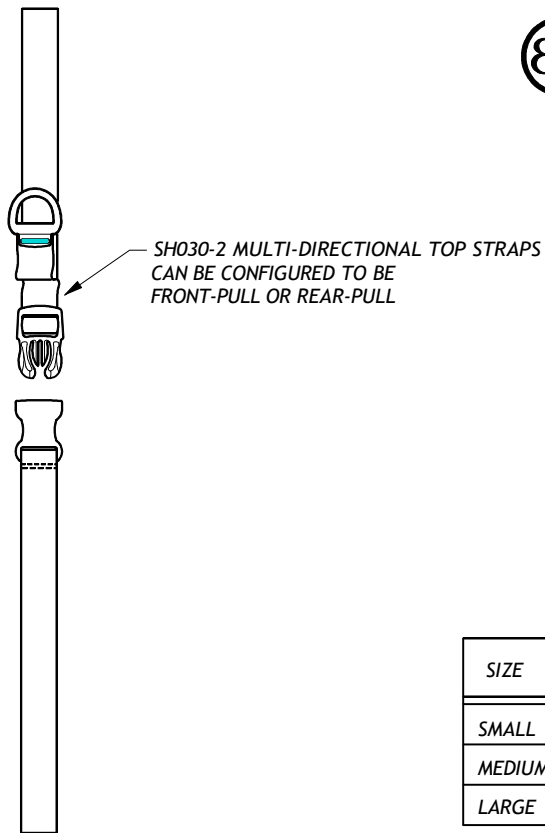
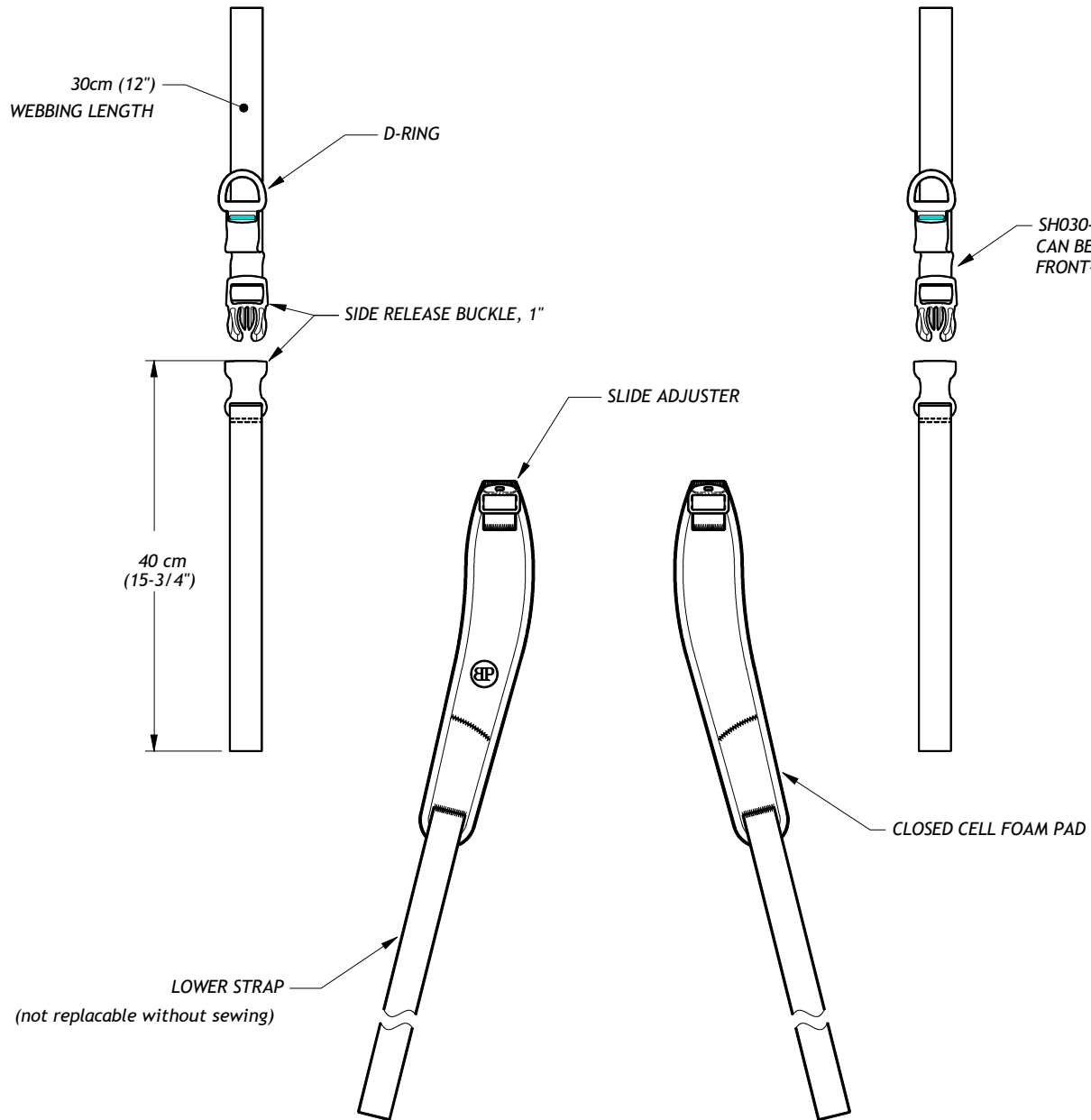




Bodypoint®

technical bulletin



SIZE	TRIMLINE PART NUMBER
SMALL	SH235S
MEDIUM	SH235M
LARGE	SH235L

TO COMPLETE YOUR PART NUMBER, SELECT THE END-FITTING OPTION BELOW:

-B5		4 - PLASTIC FLAT-MOUNT END FITTINGS HKA31-25MM
-B6		4 - PLASTIC CINCH-MOUNT END FITTINGS HKA32-25MM

SHEET 1 of 2

note

description

TRIMLINE HARNESS, MD SERIES, TECHNICAL SPECS

drawing no.

D19-0412-31

date originated

4/12/2019

drawn by

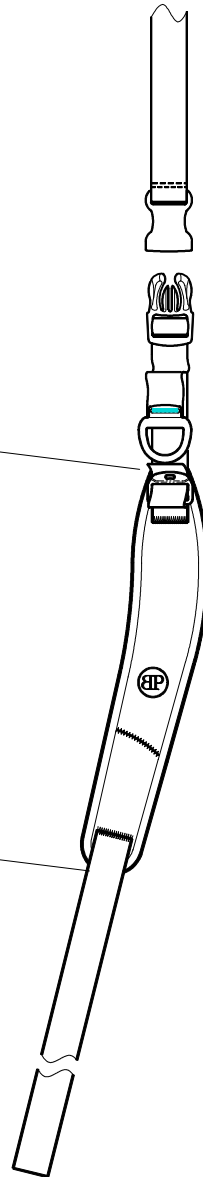
D. DOUGAL

rev.

B



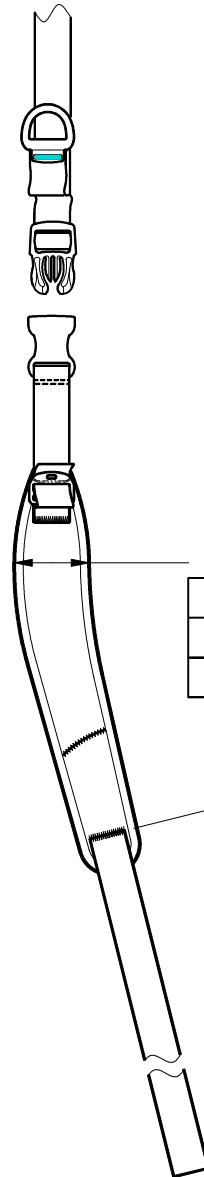
FRONT-PULL ORIENTATION



PAD LENGTH

SMALL	23.5cm (9-1/4")
MEDIUM	29cm (11-1/2")
LARGE	34cm (13-1/4")

REAR-PULL ORIENTATION

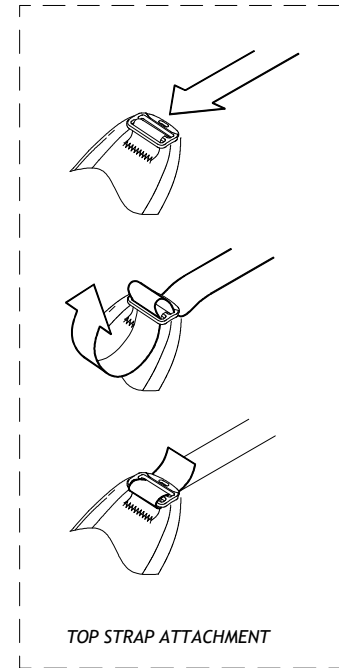


PAD WIDTH

SMALL	4.5cm (1-3/4")
MEDIUM	5cm (2")
LARGE	5.5cm (2-1/4")

LOWER STRAP LENGTH

SMALL	54.5cm (21-1/2")
MEDIUM	54.5cm (21-1/2")
LARGE	65cm (25-1/2")



TOP STRAP ATTACHMENT

SHEET 2 of 2

note

description

TRIMLINE HARNESS, MD SERIES, TECHNICAL SPECS

drawing no.

D19-0412-31

date originated

4/12/2019

drawn by

D. DOUGAL

rev.

B