

MONOFLEX, UNDERARM RELEASE, 1-PIECE

ADJUSTMENT STRAP WEBBING WIDTH

X-SMALL SMALL	2.5cm (1")
MEDIUM LARGE X-LARGE	4cm (1/2")

ADJUSTMENT STRAP RANGE

X-SMALL SMALL	9.5cm (3-3/4")
MEDIUM LARGE X-LARGE	11cm (4-1/4")

FOAMED RUBBER PAD
XS & S - 6mm THICK
M, L, & XL - 9mm THICK

SWIVEL BUCKLE

Ø6mm (1/4") GROMMETS

GROMMET MOUNTING STRAP

X-SMALL SMALL	18cm (7")
MEDIUM LARGE X-LARGE	25cm (9-3/4")

PAD WIDTH

X-SMALL	7cm (2-3/4")
SMALL	7.5cm (3")
MEDIUM	10cm (4")
LARGE	11.5cm (4-1/2")
X-LARGE	12.5cm (5")


PAD LENGTH


X-SMALL	31cm (12-1/4")
SMALL	39.5cm (15-1/2")
MEDIUM	46.5cm (18-1/4")
LARGE	54.5cm (21-1/2")
X-LARGE	62cm (24-1/2")

PLAIN WEBBING MOUNTING STRAP

X-SMALL SMALL	35.5cm (14")
MEDIUM LARGE X-LARGE	51cm (20")

SIZE	W/ FLAT-MOUNT	W/ CINCH-MOUNT	W/ GROMMET STRAP
X-SMALL	SH120XS-B1	SH120XS-B2	SH120XS-B3
SMALL	SH120S-B1	SH120S-B2	SH120S-B3
MEDIUM	SH120M-B1	SH120M-B2	SH120M-B3
LARGE	SH120L-B1	SH120L-B2	SH120L-B3
X-LARGE	SH120XL-B1	SH120XL-B2	SH120XL-B3

-B1  **FLAT-MOUNT
END FITTING 2x**
XS & S - 1" HKA1-R-1
M, L & XL - 1-1/2" HKA1-G-1

-B2  **CINCH-MOUNT
END FITTING 2x**
XS & S - 1" HKA2-R-1
M, L & XL - 1-1/2" HKA2-G-1

note

description

MONOFLEX CHEST SUPPORTS, 1-PIECE & 2-PIECE

drawing no.

D15-0520-30

date originated

5/20/2015

drawn by

D. DOUGAL

rev.

E

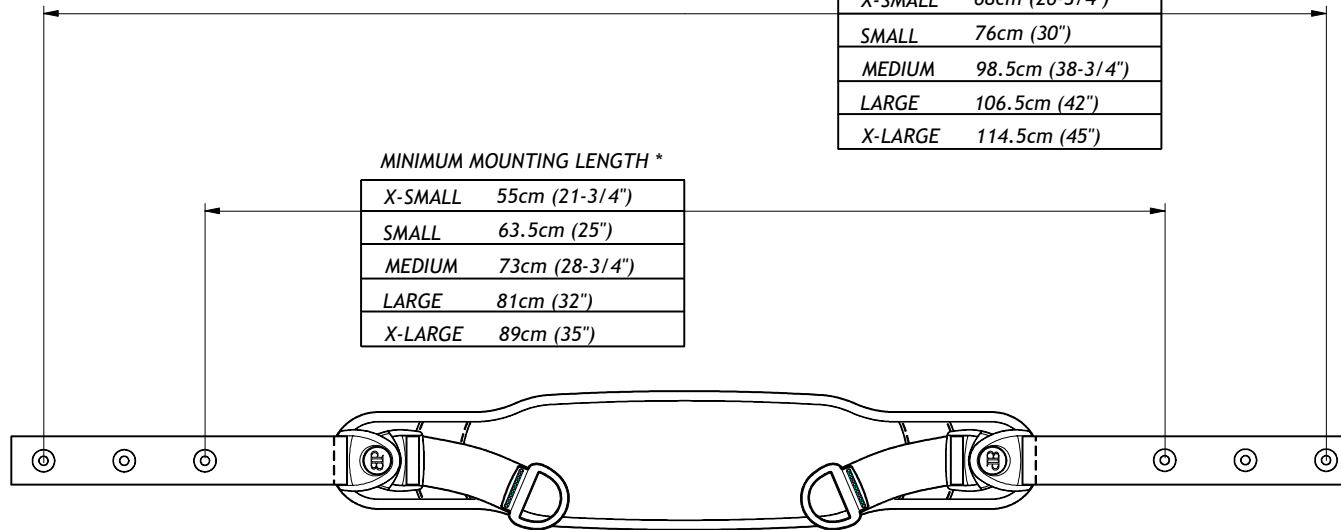
MONOFLEX, UNDERARM RELEASE, 1-PIECE

MAXIMUM MOUNTING LENGTH *

X-SMALL	68cm (26-3/4")
SMALL	76cm (30")
MEDIUM	98.5cm (38-3/4")
LARGE	106.5cm (42")
X-LARGE	114.5cm (45")

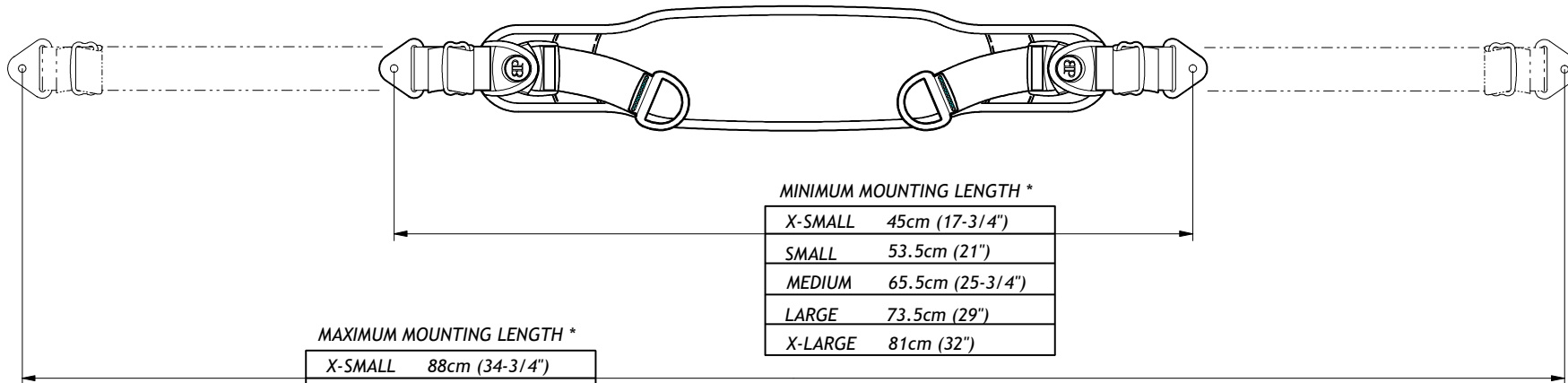
MINIMUM MOUNTING LENGTH *

X-SMALL	55cm (21-3/4")
SMALL	63.5cm (25")
MEDIUM	73cm (28-3/4")
LARGE	81cm (32")
X-LARGE	89cm (35")



GROMMET MOUNTING STRAP

PLAIN WEBBING MOUNTING STRAP



MINIMUM MOUNTING LENGTH *

X-SMALL	45cm (17-3/4")
SMALL	53.5cm (21")
MEDIUM	65.5cm (25-3/4")
LARGE	73.5cm (29")
X-LARGE	81cm (32")

MAXIMUM MOUNTING LENGTH *

X-SMALL	88cm (34-3/4")
SMALL	96.5cm (38")
MEDIUM	131.5cm (51-3/4")
LARGE	140cm (55")
X-LARGE	147cm (58")

* NOTE: MOUNTING LENGTHS MEASURED WITH 5cm (2") ADJUSTMENT TAKEN UP AT EACH BUCKLE

note

description

MONOFLEX CHEST SUPPORTS, 1-PIECE & 2-PIECE

drawing no.

D15-0520-30

date originated

5/20/2015

drawn by

D. DOUGAL

rev.

E

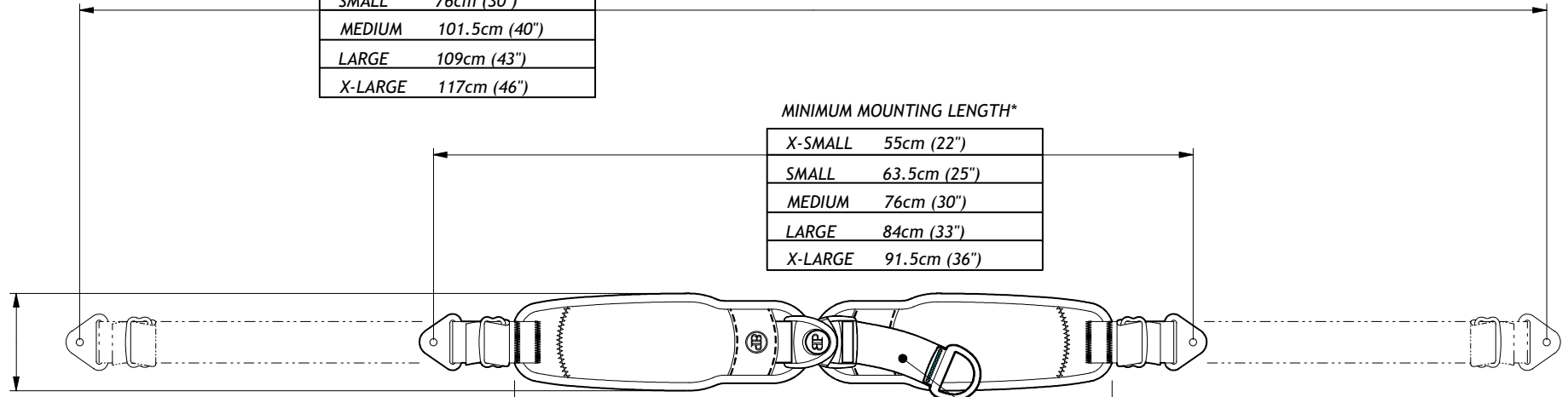
MONOFLEX, CENTER RELEASE, 2-PIECE

MAXIMUM MOUNTING LENGTH*

X-SMALL	68.5cm (27")
SMALL	76cm (30")
MEDIUM	101.5cm (40")
LARGE	109cm (43")
X-LARGE	117cm (46")

MINIMUM MOUNTING LENGTH*

X-SMALL	55cm (22")
SMALL	63.5cm (25")
MEDIUM	76cm (30")
LARGE	84cm (33")
X-LARGE	91.5cm (36")



PAD WIDTH

X-SMALL	5.5cm (2-1/4")
SMALL	6.5cm (2-1/2")
MEDIUM	8cm (3-1/4")
LARGE	9cm (3-1/2")
X-LARGE	9.5cm (3-3/4")

PADDED LENGTH

X-SMALL	31cm (12-1/4")
SMALL	39.5cm (15-1/2")
MEDIUM	46.5cm (18-1/4")
LARGE	54.5cm (21-1/2")
X-LARGE	62cm (24-1/2")


ADJUSTMENT STRAP WEBBING WIDTH


X-SMALL	2.5cm (1")
SMALL	
MEDIUM	4cm (1/2")
LARGE	
X-LARGE	

ADJUSTMENT STRAP RANGE

X-SMALL	9.5cm (3-3/4")
SMALL	
MEDIUM	
LARGE	11cm (4-1/4")
X-LARGE	

SIZE	W/ FLAT-MOUNT	W/ CINCH-MOUNT
X-SMALL	SH122XS-B1	SH122XS-B2
SMALL	SH122S-B1	SH122S-B2
MEDIUM	SH122M-B1	SH122M-B2
LARGE	SH122L-B1	SH122L-B2
X-LARGE	SH122XL-B1	SH122XL-B2

-B1  **FLAT-MOUNT END FITTING 2x**
 XS & S - 1" HKA1-R-1
 M, L & XL - 1-1/2" HKA1-G-1

-B2  **CINCH-MOUNT END FITTING 2x**
 XS & S - 1" HKA2-R-1
 M, L & XL - 1-1/2" HKA2-G-1

* NOTE: MOUNTING LENGTHS MEASURED WITH 5cm (2") ADJUSTMENT TAKEN UP AT BUCKLE

note

description			
MONOFLEX CHEST SUPPORTS, 1-PIECE & 2-PIECE			
drawing no.	date originated	drawn by	rev.
D15-0520-30	5/20/2015	D. DOUGAL	E