

PUSH-BUTTON

REHAB LATCH

X-SMALL METAL
PUSH-BUTTON

SWIVEL

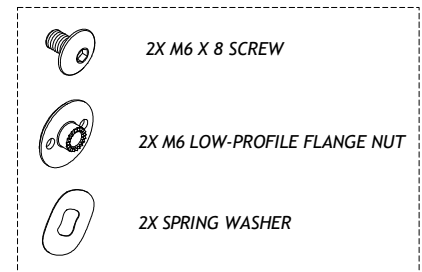
SIZE	PART NUMBER
S38	N/A
M46	EB205-M46
L62	EB205-L62

SIZE	PART NUMBER
S38	N/A
M46	EB225-M46
L62	EB225-L62

SIZE	PART NUMBER
S38	EB235-S38
M46	N/A
L62	N/A

SIZE	PART NUMBER
S38	EB275-S38
M46	EB275-M46
L62	N/A

INCLUDED MOUNTING FASTENERS



note

description

EVOFLEX HIP BELT, TECHNICAL SPECS

drawing no.

D11-1006-30

date originated

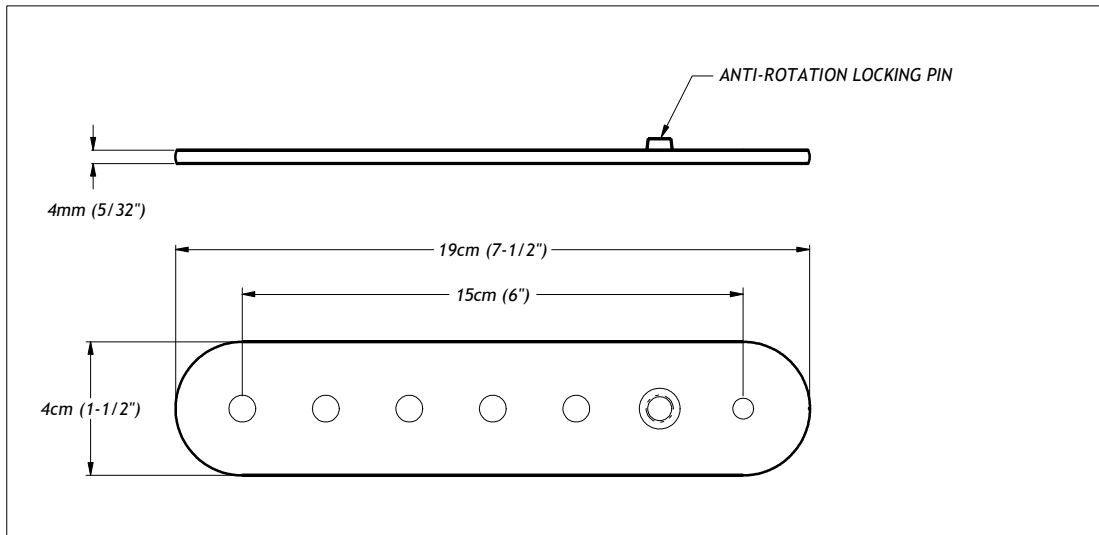
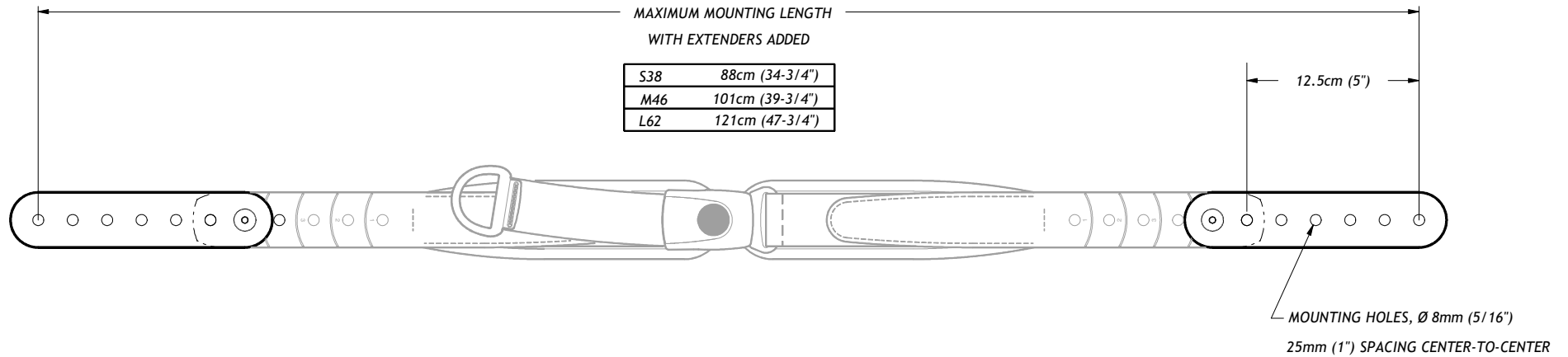
10/06/2011

drawn by

D. DOUGAL

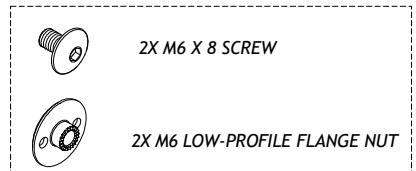
rev.

G



EBE100 EVOFLEX BELT EXTENDER--GENERAL SPECIFICATIONS

INCLUDED FASTENERS FOR ATTACHING
BELT EXTENDERS TO EVOFLEX BELT



note

EBE100 EVOFLEX BELT EXTENDERS ARE MADE FROM IMPACT-RESISTANT THERMOPLASTIC
FOR ADDITIONAL INFORMATION, SEE D20-0225-01 EVOFLEX BELT EXTENDER INSTALLATION AND USE

description

EVOFLEX HIP BELT, TECHNICAL SPECS

drawing no.	date originated	drawn by	rev.
D11-1006-30	10/06/2011	D. DOUGAL	G