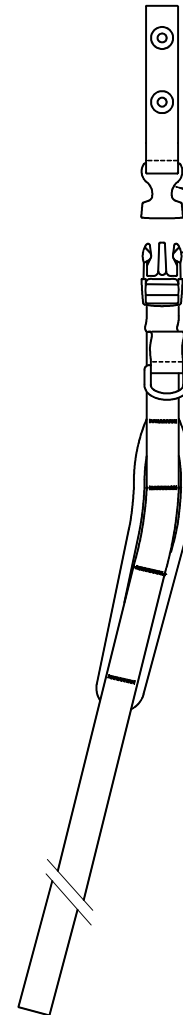
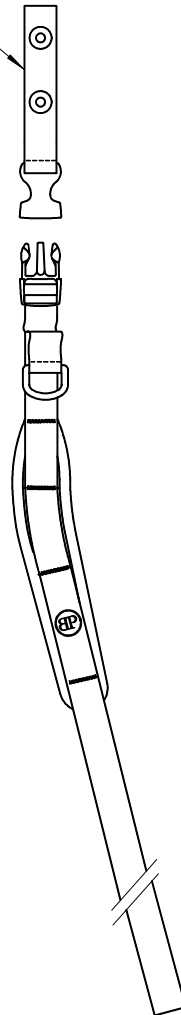


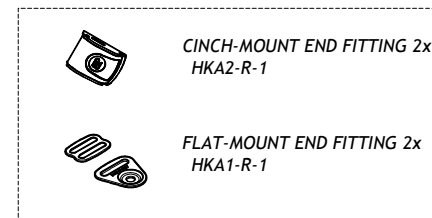


SH025-A01-1 TOP STRAP, 1", FRONT-PULL



FS002 SIDE RELEASE BUCKLE, 1"

CLOSED CELL FOAM PAD
SMALL - 7mm THICK
M & L - 11mm THICK



SIZE	PART NUMBERS	
	CINCH-MOUNT	FLAT-MOUNT
SMALL	SH230S-B2	SH230S-B1
MEDIUM	SH230M-B2	SH230M-B1
LARGE	SH230L-B2	SH230L-B1

SHEET 1 OF 3

note

description

TRIMLINE SHOULDER HARNESS, FRONT-PULL, TECHNICAL SPECS

drawing no.

D11-0824-31

date originated

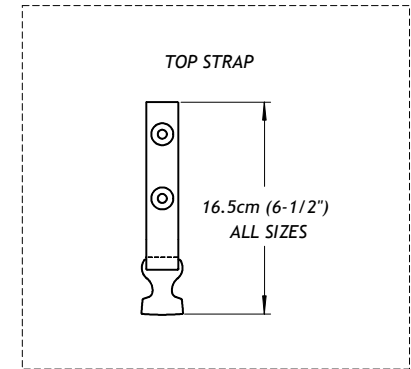
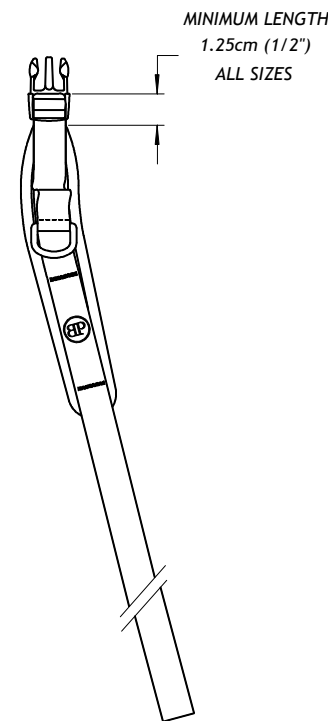
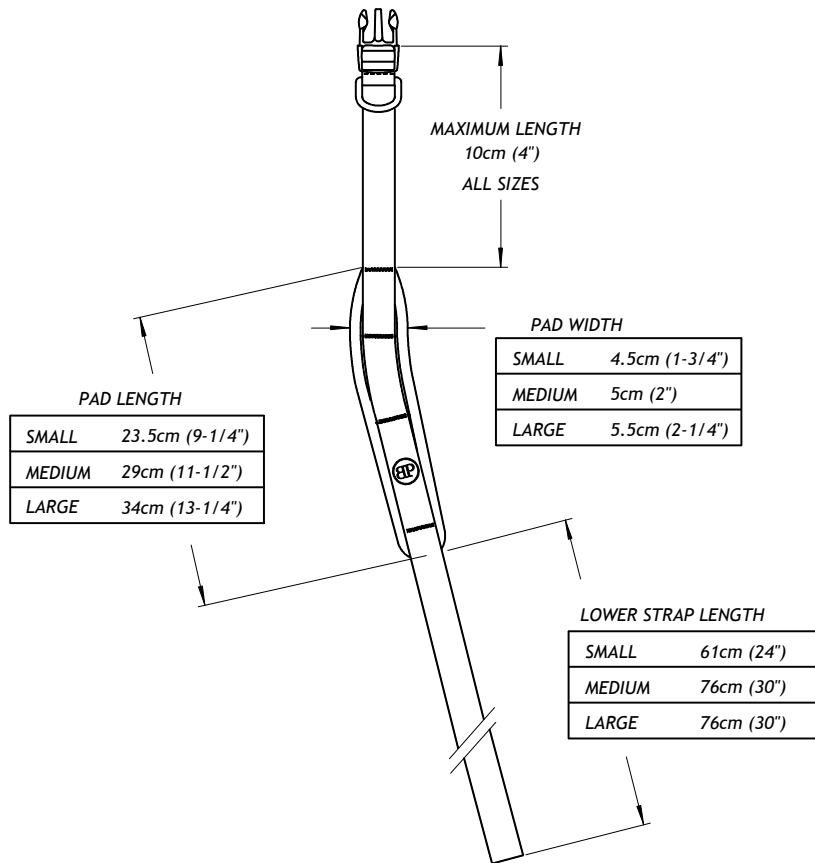
8/24/2011

drawn by

D. HAGAN

rev.

B



note

description

TRIMLINE SHOULDER HARNESS, FRONT-PULL, TECHNICAL SPECS

drawing no.

D11-0824-31

date originated

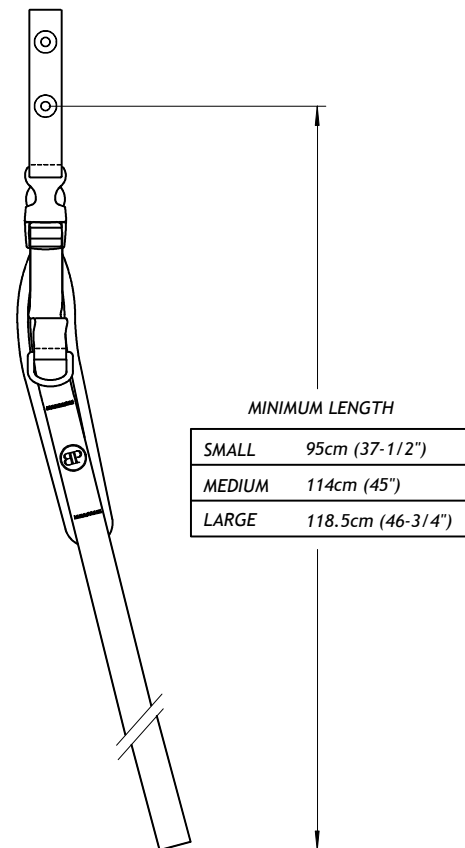
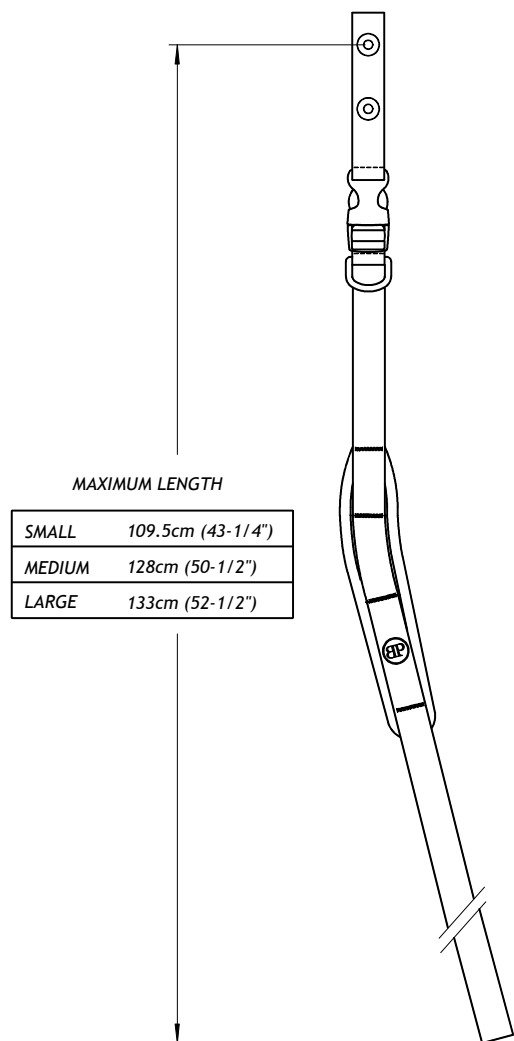
8/24/2011

drawn by

D. HAGAN

rev.

B



note

description

TRIMLINE SHOULDER HARNESS, FRONT-PULL, TECHNICAL SPECS

drawing no.

D11-0824-31

date originated

8/24/2011

drawn by

D. HAGAN

rev.

B