

SIZE	PART NUMBERS	
	CINCH-MOUNT	FLAT-MOUNT
SMALL	SH240S-B2	SH240S-B1
MEDIUM	SH240M-B2	SH240M-B1
LARGE	SH240L-B2	SH240L-B1

note

description

TRIMLINE SHOULDER HARNESS, REAR-PULL, TECHNICAL SPECS

drawing no.

D11-0824-30

date originated

8/24/2011

drawn by

D. HAGAN

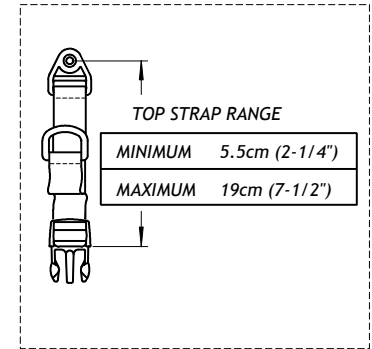
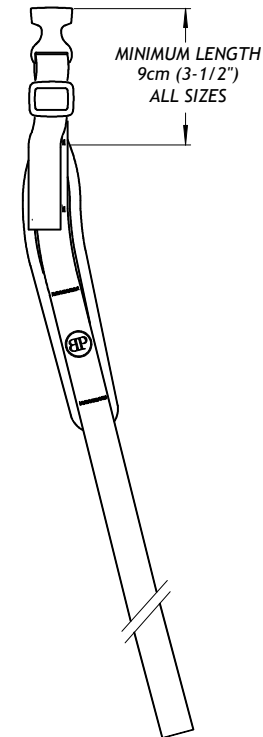
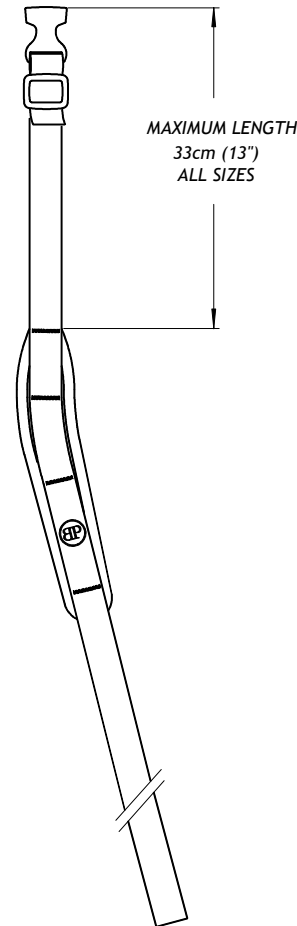
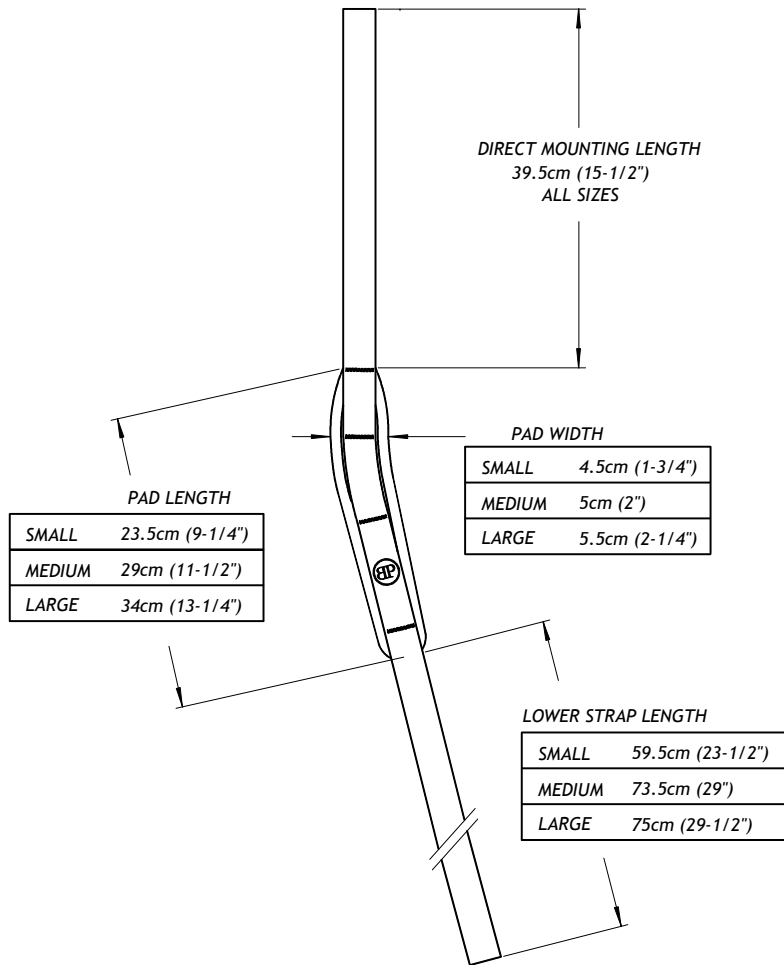
rev.

B



Bodypoint®

technical bulletin



note

description

TRIMLINE SHOULDER HARNESS, REAR-PULL, TECHNICAL SPECS

drawing no.

D11-0824-30

date originated

8/24/2011

drawn by

D. HAGAN

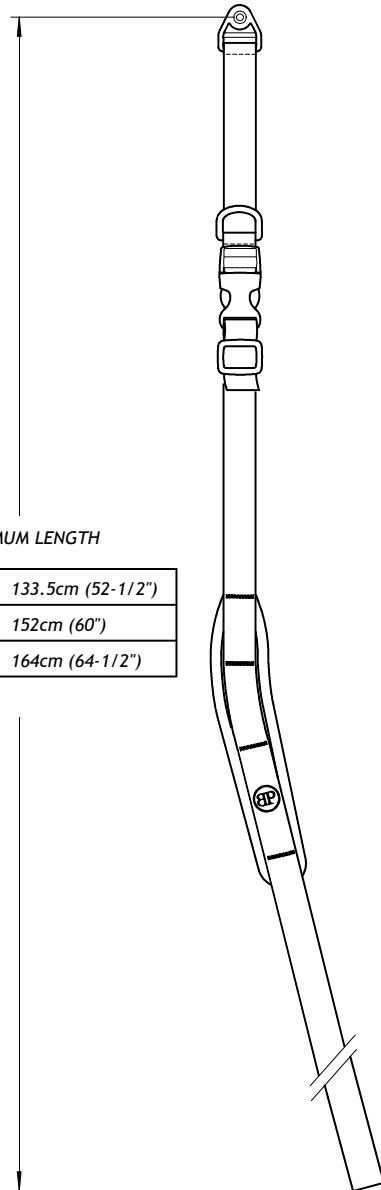
rev.

B



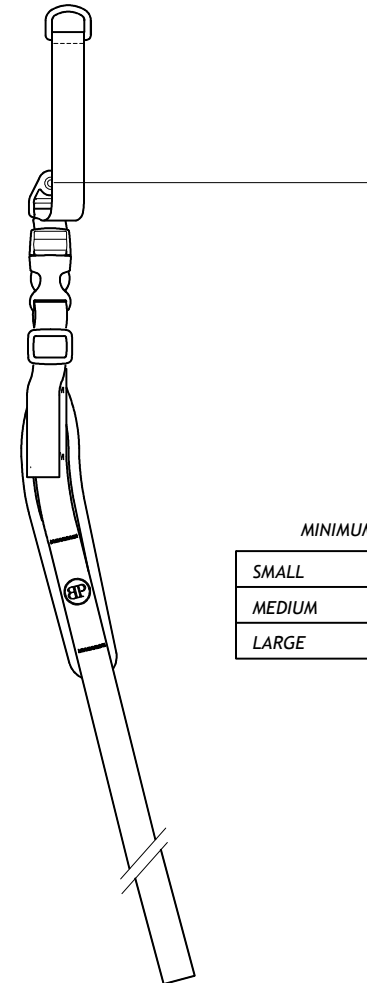
MAXIMUM LENGTH

SMALL	133.5cm (52-1/2")
MEDIUM	152cm (60")
LARGE	164cm (64-1/2")



MINIMUM LENGTH

SMALL	99.5cm (39-1/4")
MEDIUM	113cm (44-1/2")
LARGE	118.5cm (46-3/4")



note

description

TRIMLINE SHOULDER HARNESS, REAR-PULL, TECHNICAL SPECS

drawing no.

D11-0824-30

date originated

8/24/2011

drawn by

D. HAGAN

rev.

B