



# Bodypoint®

technical bulletin

SIDE RELEASE BUCKLE  
S & M - 1"  
L - 1-1/2"

CLOSED CELL FOAM PAD  
7mm THICK

REAR STRAPS

FRONT STRAPS

WEBBING WIDTH

SMALL & MEDIUM	2.5cm (1")
LARGE	4cm (1-1/2")

D-RING

TO COMPLETE YOUR PART NUMBER, SELECT THE END-FITTING OPTION BELOW:

-A1



FLAT-MOUNT™  
END FITTING PART NUMBERS

S & M (1") HKA1-R-1  
L (1-1/2") HKA1-G-1

-B1



-A2



CINCH-MOUNT™  
END FITTING PART NUMBERS

S & M (1") HKA2-R-1  
L (1-1/2") HKA2-G-1

-B2



SIZE	PART NUMBER
SMALL	LH600S
MEDIUM	LH600M
LARGE	LH600L

note

SHEET 1 of 2

description

## LEG HARNESS TECHNICAL SPECS

drawing no.

D11-0425-30

date originated

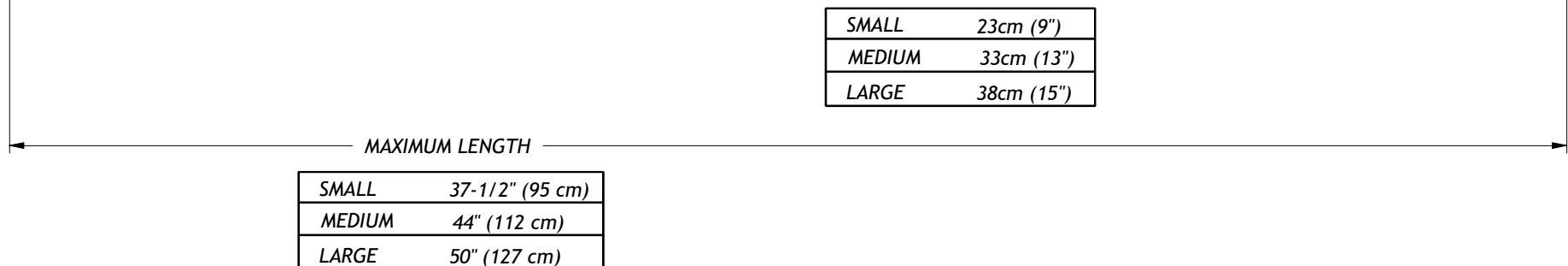
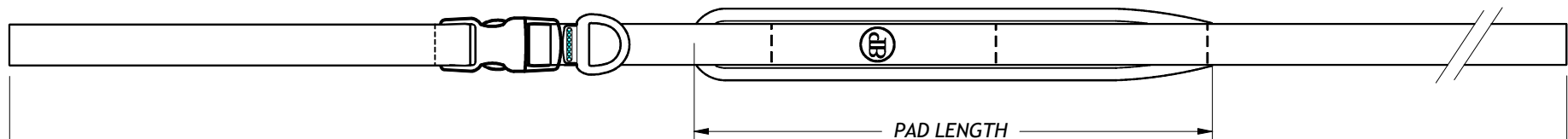
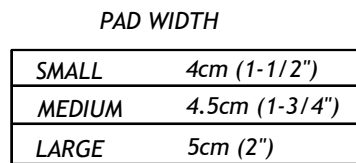
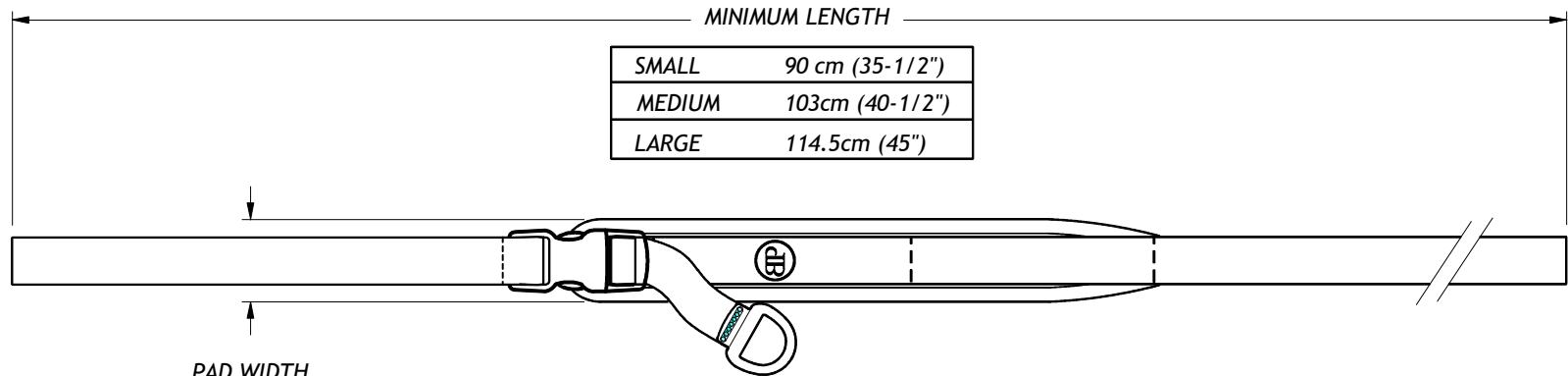
4/25/2011

drawn by

D. DOUGAL

rev.

D



note

description

**LEG HARNESS TECHNICAL SPECS**

drawing no.  
**D11-0425-30**

date originated  
4/25/2011

drawn by  
D. DOUGAL

rev.  
**D**