

CT850 Treadmill

OWNER'S MANUAL

CT850_850840_OM_20231228

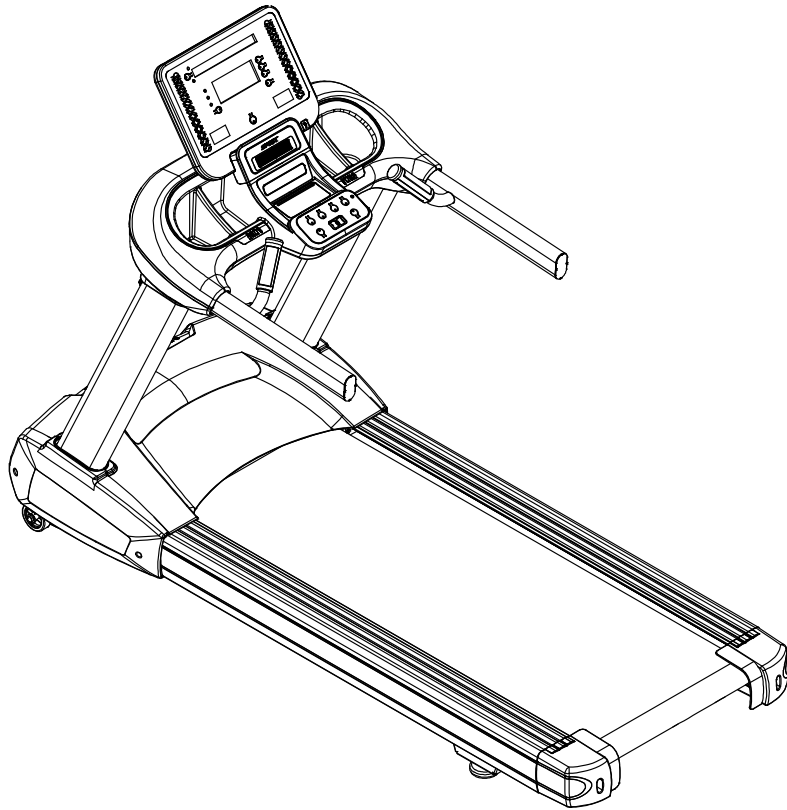


TABLE OF CONTENTS

3	PRODUCT REGISTRATION
4	IMPORTANT SAFETY INSTRUCTIONS
5	IMPORTANT ELECTRICAL INSTRUCTIONS
7	IMPORTANT OPERATION INSTRUCTIONS
8	CT850 ASSEMBLY INSTRUCTIONS
14	CONSOLE OPERATION
20	PROGRAMMABLE FEATURES
32	HEART RATE PROGRAMS
38	CALIBRATION
42	TROUBLESHOOTING
44	GENERAL MAINTENANCE
45	MANUFACTURER'S LIMITED WARRANTY
50	EXPLODED VIEW
51	PARTS LIST

Thank you for purchasing our product, please save these instructions. Please do not perform or attempt any customizing, adjustments, repair or maintenance that is not described in this manual.



Congratulations on your new treadmill and welcome to the Spirit Fitness family!

Thank you for your purchase of this quality treadmill from Spirit Fitness. Your new treadmill was manufactured by one of the leading fitness manufacturers in the world and is backed by one of the most comprehensive warranties available. Through your dealer, Spirit Fitness will do all we can to make your ownership experience as pleasant as possible for many years to come. If not purchased direct from Spirit Fitness, the local dealership where you purchased this treadmill is your administrator for all Spirit Fitness warranty and service needs. Their responsibility is to provide you with the technical knowledge and service personnel to make your experience more informed and any difficulties easier to remedy.

Please take a moment at this time to record the name of the dealer, their telephone number, and the date of purchase below to make any future, needed contact easy. We appreciate your support and we will always remember that you are the reason that we are in business.

Yours in Health,
Spirit Fitness

NAME OF DEALER _____

DEALER PHONE # _____

PURCHASE DATE _____

RECORD YOUR SERIAL NUMBER

Please record the serial number of this fitness product in the space provided below. The serial number is located at the front of the treadmill by the Power switch.

Serial Number:

IMPORTANT SAFETY INSTRUCTIONS

WARNING

When using an electrical appliance, basic precautions should always be followed, including the following:

Read all instructions before using this appliance.

DANGER - To reduce the risk of electric shock:

Always unplug this appliance from the electrical outlet immediately after using and before cleaning.

WARNING - To reduce the risk of burns, fire electric shock, or injury to persons:

- An appliance should never be left unattended when plugged in. Unplug from outlet when not in use, and before putting on or taking off parts.
- Do not operate under blanket or pillow. Excessive heating can occur and cause fire, electric shock, or injury to persons.
- Close supervision is necessary when this appliance is used by, on, or near children, invalids, or disabled persons.

- Use this appliance only for its intended use as described in this manual. Do not use attachments not recommended by the manufacturer.
- Never operate this appliance if it has a damaged cord or plug, if it is not working properly, if it has been dropped or damaged, or dropped into water. Return the appliance to a service center for examination and repair.
- Do not carry this appliance by supply cord or use cord as a handle.
- Keep the cord away from heated surfaces.
- Never operate the appliance with the air openings blocked. Keep the air openings free of lint, hair, and the like.
- Never drop or insert any object into any opening.
- Do not use outdoors.
- Do not operate where aerosol (spray) products are being used or where oxygen is being administered.
- Connect this appliance to a properly grounded outlet only. See Grounding Instructions.
- The appliance is intended for household use.
- Maximum User Weight: 450 lbs
- This appliance is not intended for use by persons with reduced physical, sensory or mental capabilities, or lack of experience and knowledge,

unless they have been given supervision or instruction concerning use of the appliance by a person responsible for their safety.

- Keep children under the age of 13 away from this machine.
- ASTM F2115-05 Specifications
6.1.2.11 The recommended minimum clearance required around each treadmill for access to, passage around, and emergency dismount shall be stated. The minimum dimensions are to be: 0.5 m (19.7 in.) on each side of the treadmill, and 1 m (39 in.) behind the machine.

SAVE THESE INSTRUCTIONS - THINK SAFETY!

IMPORTANT ELECTRICAL INSTRUCTIONS

WARNING

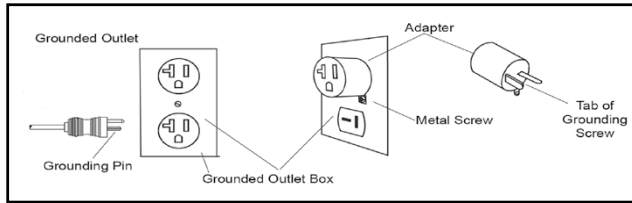
NEVER use a ground fault circuit interrupt (GFCI) wall outlet with this treadmill. As with any appliance with a large motor, the GFCI will trip often. Route the power cord away from any moving part of the treadmill including the elevation mechanism and

transport wheels. NEVER remove any cover without first disconnecting AC power. If voltage varies by ten percent (10%) or more, the performance of your treadmill may be affected. Such conditions are not covered under your warranty. If you suspect the voltage is low, contact your local power company or a licensed electrician for proper testing.

NEVER expose this treadmill to rain or moisture. This product is NOT designed for use outdoors, near a pool or spa, or in any other high humidity environment. The operating temperature specification is 40 to 120 degrees Fahrenheit, and humidity is 95% non-condensing (no water drops forming on surfaces).

Circuit Breakers: Some circuit breakers used in homes are not rated for high inrush currents that can occur when a treadmill is first turned on or even during use. If your treadmill is tripping the house circuit breaker (even though it is the proper current rating) but the circuit breaker on the treadmill itself does not trip, you will need to replace the home breaker with a high inrush type. This is not a warranty defect. This is a condition we as a manufacture have no ability to control. This part is

available through most electrical supply stores. Examples: Grainger part # 1D237,
The electrical outlet used should have a dedicated 20 amp circuit breaker.



GROUNDING INSTRUCTIONS

This product must be grounded. If the treadmill should malfunction or breakdown, grounding provides a path of least resistance for electric current, reducing the risk of electric shock. This product is equipped with a cord having an equipment-grounding plug. The plug must be plugged into an appropriate outlet that is properly installed and grounded in accordance with all local codes and ordinances.

DANGER - Improper connection of the equipment-grounding conductor can result in a risk of electric shock. Check with a qualified electrician or serviceman if you are in doubt as to whether the product is properly grounded. Do not modify the plug provided with the product if it will not fit the outlet; have a proper outlet installed by a qualified electrician.

This product is for use on a nominal 120-volt/20 amp dedicated circuit, and has a grounding plug that looks like the plug illustrated below. A temporary adapter that looks like the adapter illustrated below may be used to connect this plug to a 2-pole receptacle as shown below if a properly grounded outlet is not available. The temporary adapter should be used only until a properly grounded outlet, (shown below) can be installed by a qualified electrician. The green colored rigid ear-lug, or the like, extending from the

adapter, must be connected to a permanent ground such as a properly grounded outlet box cover. Whenever the adapter is used, it must be held in place by a metal screw.

IMPORTANT OPERATION INSTRUCTIONS

- NEVER operate this treadmill without reading and completely understanding the results of any operational change you request from the computer.
- Understand that changes in resistance do not occur immediately. Set your desired resistance level on the computer console and release the adjustment button. The computer will obey the command gradually.
- Use caution while participating in other activities while pedaling on your treadmill; such as watching television, reading, etc. These distractions may cause you to lose balance which may result in serious injury.
- Do not use excessive pressure on console control buttons. They are precision set to function properly with little finger pressure.

WARNING

This product can expose you to chemicals including Toluene and Acrylamide which are known to the State of California to cause Cancer and birth defects or other reproductive harm.

CT850 PRE-ASSEMBLY

UNPACKING

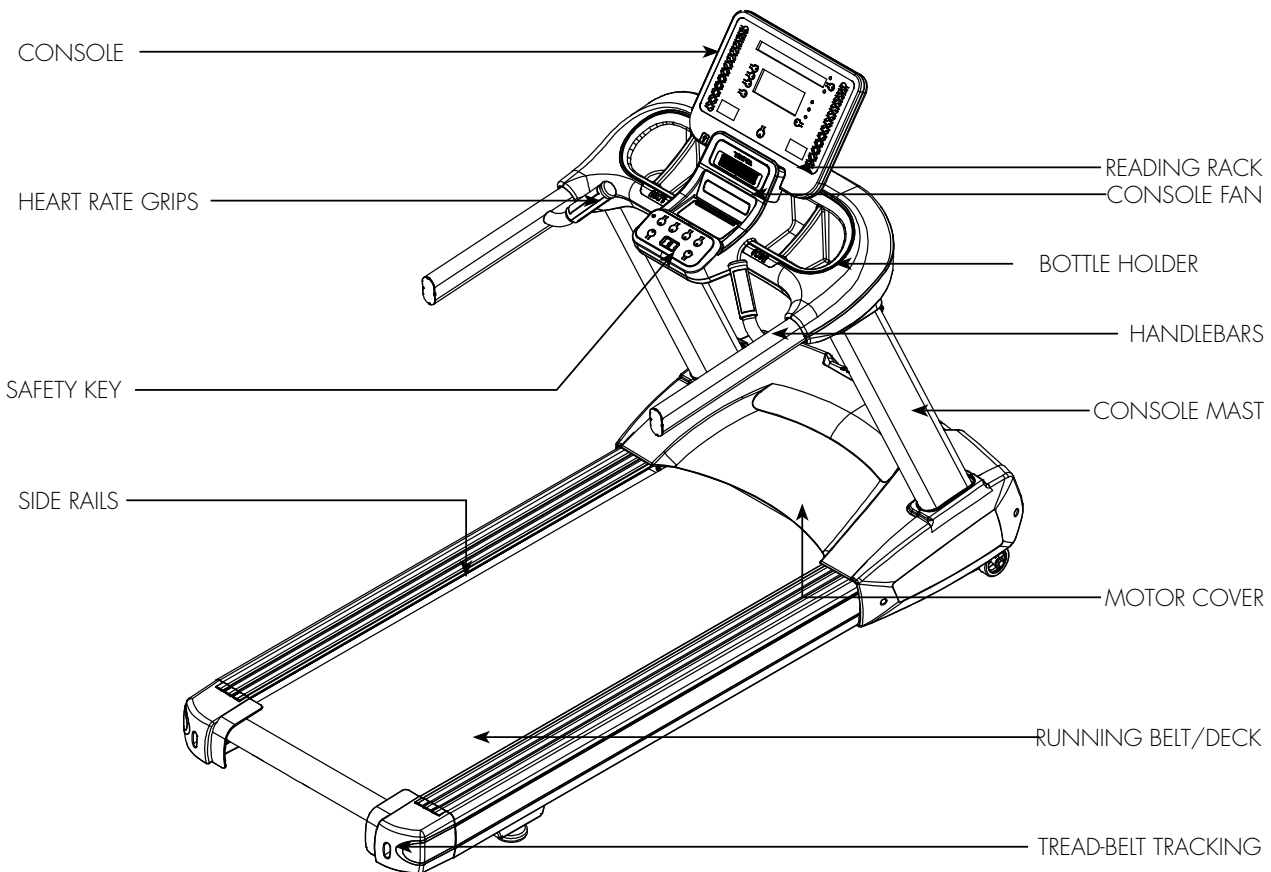
1. Cut the straps, then along the dotted line on the bottom of the box; lift the box over the unit and unpack.
2. Locate the hardware package. The hardware is separated into four steps. Remove the tools first. Remove the hardware for each step as needed to avoid confusion. The numbers in the instructions that are in parenthesis (#) are the item number from the assembly drawing for reference.

TOOLS INCLUDED:

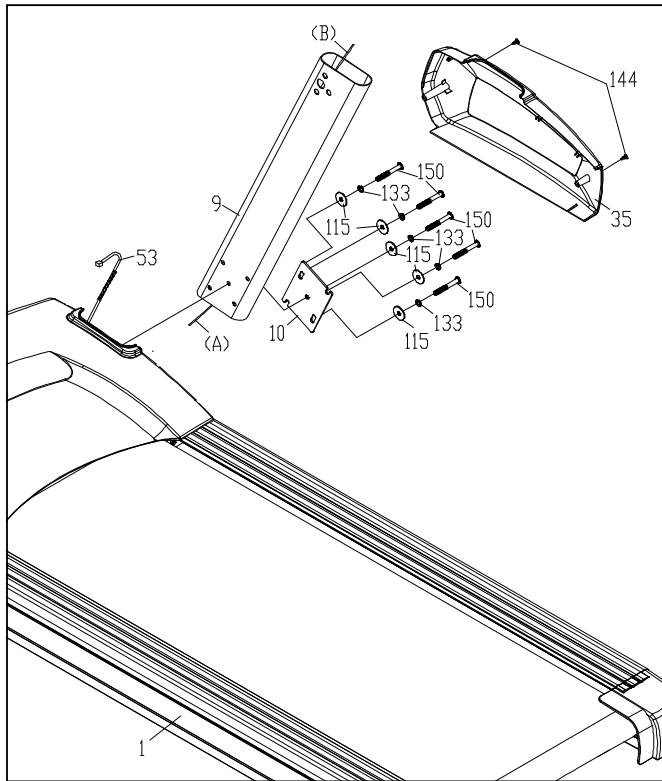
- 3/8" Allen Wrench
- 10mm Allen Wrench
- Phillips Screwdriver

PARTS INCLUDED:

- 2 Console Masts
- 2 Side Covers
- 1 Base Frame
- 1 Console Support
- 1 Console
- 1 Safety Button
- 1 Power Cord
- 1 Hardware Kit



CT850 STEP ONE

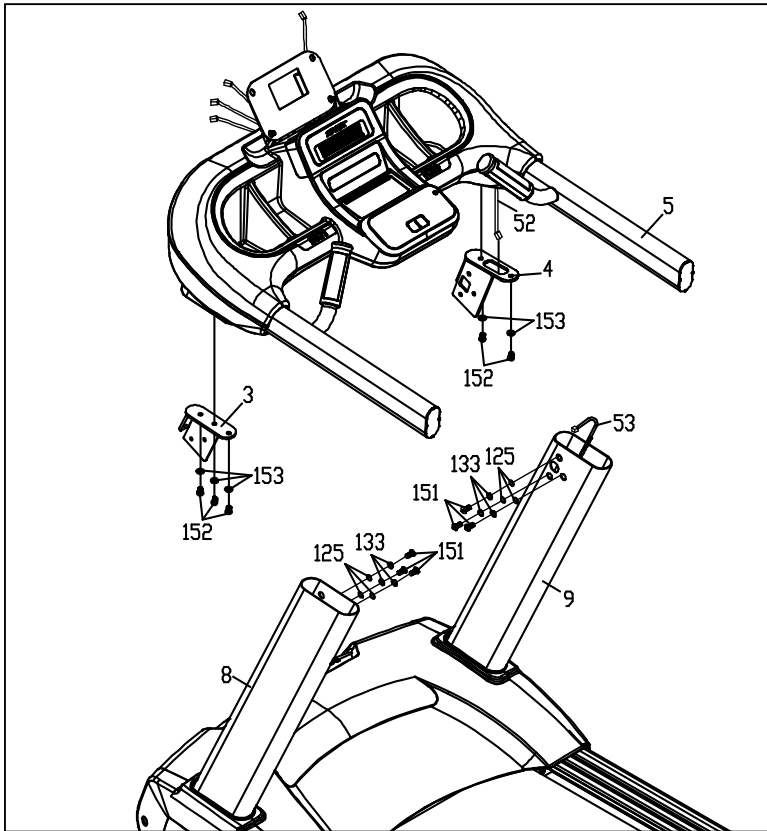


HARDWARE FOR STEP 1

PART	TYPE	DESCRIPTION	QTY
150	BUTTON HEAD SOCKET BOLT	3/8" x 3"	10
133	SPLIT WASHER	Ø10 x 2T	10
115	FLAT WASHER	Ø3/8" x 35 x 2.0T	10
144	PHILLIPS HEAD SCREWS	M5 x 12mm	4

1. Gather **Hardware for Step 1**.
2. Thread the **Computer Cable (No.53)** up through the center of the **Right Upright Column (No.9)**.
3. Use four sets of **Button Head Socket Bolt (No.150)**, **Split Washer (No.133)** against a **Flat Washer (No.115)** to secure the **Upright Fixing Plate (No.10)** to the **Right Uprights (No.9)** to the **Main Frame (No.1)** using the **Allen Wrench (No.160)**.
4. Use two **Phillips Head Screws (No.144)** to secure the **Motor Base Cap Right (No.35)** to **Main Frame (No.1)** using the **Screw Driver (No.158)**.
5. Repeat the previous two steps on the left side.

CT850 STEP TWO

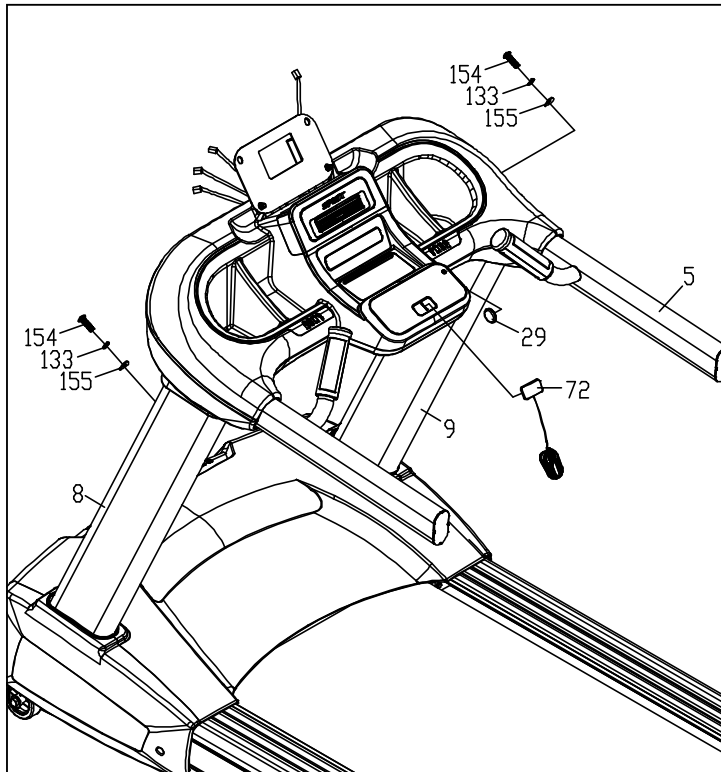


HARDWARE FOR STEP 2

PART	TYPE	DESCRIPTION	QTY
152	SOCKET HEAD CAP BOLT	M8 x 12mm	5
153	FLAT WASHER	Ø8 x Ø16 x 2T	5
151	BUTTON HEAD SOCKET BOLT	3/8" x 3/4"	6
133	SPLIT WASHER	Ø10 x 2T	6
125	FLAT WASHER	Ø3/8" x Ø25 x 2.0T	6

1. Gather **Hardware for Step 2**.
2. On the underside of the **Console Support (No.5)** is where the **Locking Plate Assembly (No. 3 & 4)** can be attached. Use 2 **Socket Head Cap Bolts (No.152)** and 2 **Flat Washers(No.153)** on each side to secure.
3. Connect the **Computer Cable (No. 53)** with the **Upper Computer Cable (No.52)**. Be careful not to pinch the wires and slide them into the **Right Upright (No.9)**.
4. Gently slot the **Console Support (No.5)** into the **Left/Right Uprights (No.8 & 9)** and secure with 3 **Button Head Socket Bolts (No.151)**, 3 **Split Washers (No.133)**, and 3 **Flat Washers (No.125)** on both sides using the **Allen Wrench (No.160)**.

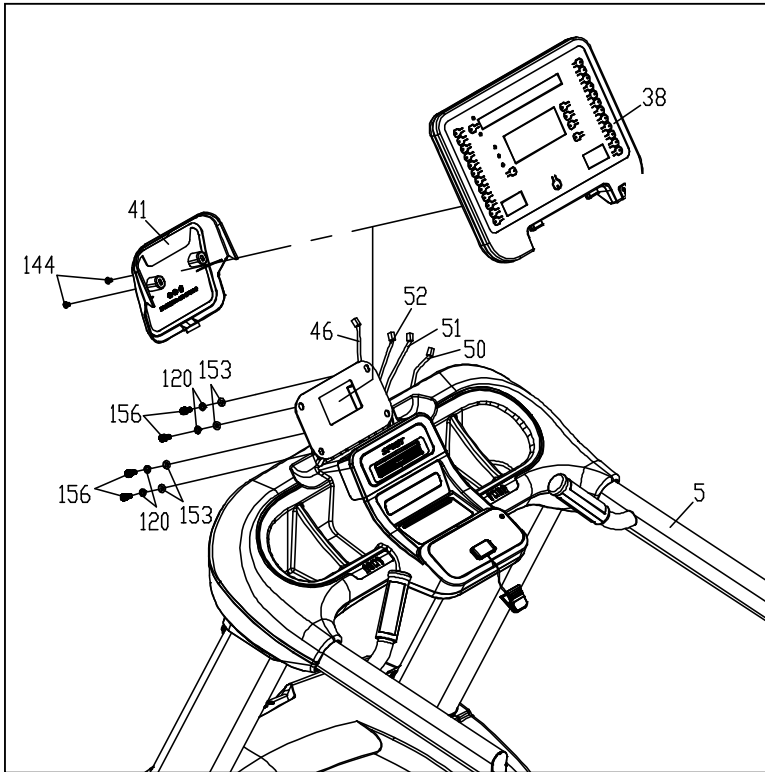
CT850 STEP THREE



HARDWARE FOR STEP 3			
PART	TYPE	DESCRIPTION	QTY
154	BUTTON HEAD SOCKET BOLT	3/8" x UNC16 x1-1/4	2
133	SPLIT WASHER	Ø10 x 2T	2
155	CURVED WASHER	Ø10 x Ø23 x 1.5T	2
29	ROUND CAP		1

1. Gather Hardware For Step 3.
2. Further secure the uprights by inserting a **Button Head Socket Bolt (No.154)** through a **Split Washer (No.133)**, and a **Curved Washer (No.155)** onto the backside of both **Left/Right Uprights (No. 8 & 9)** using the **Allen Wrench (No.160)**.
3. Plug the **Round Cap (No.29)** into the **Right Upright (No.9)**.
4. Plug the **Safety Key (No.72)** into the Safety Key base on the **Console Support (No.5)**.

CT850 STEP FOUR



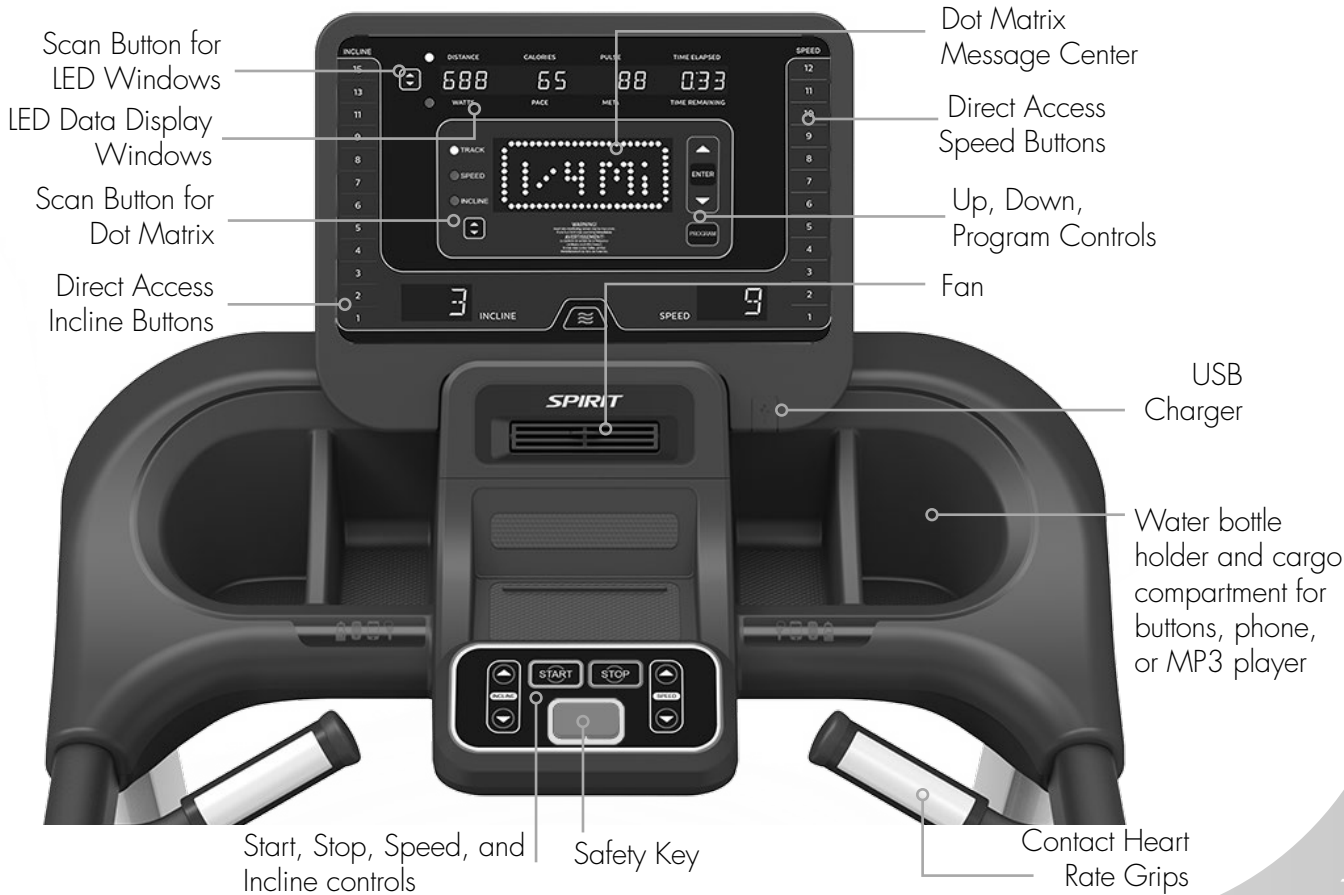
HARDWARE FOR STEP 4

PART	TYPE	DESCRIPTION	QTY
156	SOCKET HEAD CAP BOLT	M8 x P1.25 x 20L	4
120	SPLIT WASHER	Ø8 x 1.5T	4
153	FLAT WASHER	Ø8 x Ø16 x 2T	4
144	PHILLIPS HEAD SCREW	M5 x 12mm	2

1. Gather **Hardware for Step 4**.
2. Place the **Console Assembly (No.38)** onto the **Console Support (No.5)**. Secure with 4 **Socket Head Cap Bolts (No.156)**, 4 **Split Washer (No.120)**, and 4 **Flat Washers (No.153)** using the **Allen Wrench (No.159)**.
3. Connect the **Upper Handpulse Wires (No.50 & 51)** and **Upper Computer Cable (No.52)** to **Console Assembly (No.38)**.
4. Fasten the **Console Cover (No.41)** with 1 **Phillips Head Screw (No.144)** to the **Console Support (No.5)** using the **Screw Driver (No.158)**.



CT850 CONSOLE OPERATION



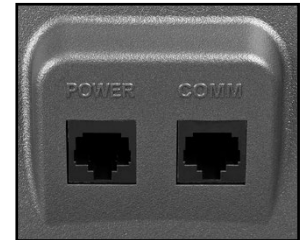
POWER

Power the treadmill on by plugging it into an appropriate wall outlet, then turn on the power switch located at the front of the treadmill below the motor hood. Ensure that the safety button is installed, as the treadmill will not power on without it.

When the power is turned on, all the lights on the display will light for a short time. Then the Time and Distance windows will display odometer readings for a short time. The Time window will show how many hours the treadmill has been in use and the Distance window will show how many miles (or Kilometers if the treadmill is set to metric readings; see maintenance for changing settings) the treadmill has gone. A message will be displayed showing the current software version. The treadmill will then enter idle mode, which is the starting point for operation.

CSAFE FEATURE

Your console is equipped with a CSAFE feature. The Power (POWER) port can be used for powering a remote controlled audio-visual system by connecting a cable from the remote to the Power port at the back of the console. The Communication port (COMM) can be used to interact with fitness software applications.



SAFETY TETHER CORD

A safety tether cord is provided with this unit. It is a simple magnetic design that should be used at all times. It is for your safety should you fall or move too far back on the tread-belt. Pulling this safety tether cord will stop tread-belt movement. To Use:

1. Place the magnet into position on the round metal portion of the console control head. Your treadmill will not start and operate without this. Removing the magnet also secures the treadmill from unauthorized use.

2. Fasten the plastic clip onto your clothing securely to assure good holding power. Note: The magnet has strong enough power to minimize accidental, unexpected stopping. The clip should be attached securely to make certain it does not come off. Be familiar with its function and limitations. The treadmill will stop, depending on speed, with a one to two step coast anytime the magnet is pulled off the console. Use the Stop / Pause switch in normal operation.

QUICK START

- Press and release any button to wake display up if not already on.
- Press and release the **Start** button to begin belt movement at 0.5mph, then adjust to the desired speed using the **Up/Down Speed** buttons. You may also use the **Direct Access Speed Buttons** 1 through 15 to set to a specific speed directly.
- To slow the treadmill belt press and hold the **Speed Down** button (console or hand rail) to the desired speed. You may also press the **Direct Access Speed Buttons**, 1 through 15.
- To stop the treadmill belt press and release the red **Stop** button.

PAUSE/STOP/PRESET

- When the treadmill is running the pause feature may be utilized by pressing the red **Stop** button once. This will slowly decelerate the treadmill belt to a stop. The incline will go to zero percent. The **Time**, **Distance** and **Calorie** readings will hold while the unit is in the pause mode. After 5 minutes the display will reset and return to the start up screen.
- To resume your exercise when in **Pause** mode, press the **Start** button. The speed and incline will return to their previous settings.
- Pressing the **Stop** button twice will end the program and a workout summary will be displayed. If the **Stop** button is pressed a third time, the console will return to the idle mode (start up) screen.
- If the **Stop** button is held down for more than 3 seconds the console will reset.

- When you are setting data, such as age and time, for a program pressing the **Stop** button will allow you to go back one step for each button press.

INCLINE

- Incline may be adjusted anytime after the belt starts moving.
- Press and hold the adjust **Incline Up/Down** buttons to achieve desired level of effort. You may also choose a more rapid increase / decrease by selecting a rapid incline button, 1 through 15, on left hand side of console (incline).
- The display will indicate incline numbers as percent of grade (the same as grade of a road) as adjustments are made.

DOT MATRIX MESSAGE CENTER

Ten rows of dots indicate each level of a workout in manual mode. Displays messages that help guide you through the programming process. During a program the message window displays your workout data. The dots are only to show an approximate level (speed/incline) of effort. They do not necessarily indicate a specific value - only an approximate percent to compare levels of intensity. In Manual Operation the Speed / Incline **Dot Matrix Message Center** will build a profile "picture" as values are changed during a workout. There are twenty-four columns, indicating time. The 24 columns are divided into 1/24th of the total time of the program. When the time is counting up from zero (as in quick start) each column represents 1 minute.

Next to the **Dot Matrix Message Center** are three LED lights labeled: **Track**, **Speed** and **Incline**, along with a **Up/Down Scan** button. When the **Track** LED is lit the **Dot Matrix Message Center** displays the **Track** profile, when the **Speed** LED is lit the **Dot Matrix Message Center** displays the **Speed** profile and when the **Incline** LED is lit it displays the **Incline** profile. You may change the profile view by pressing the **Up/Down**

Scan button. After scrolling through the three profiles the **Dot Matrix Message Center** will automatically scroll through the three displays showing each one for four seconds. The LED associated with each profile will blink while that view is displayed. One more press of the **Up/Down Scan** button will return you to the **Track** profile.

1/4 MILE TRACK

The 1/4-mile track (0.4 km) will be displayed around the dot matrix window. The flashing dot indicates your progress. In the center of the track there is a lap counter for reference.

HEART RATE WINDOW

The Pulse (Heart Rate) window will display your current heart rate in beats per minute during the workout. You must use both left and right stainless steel sensors to pick up your pulse. Pulse values are displayed anytime the computer is receiving a Grip Pulse signal. You may use the Grip Pulse feature while in Heart Rate Control. The CT850 will also pick up wireless heart rate transmitters that are Polar compatible, including coded transmissions.

PROGRAMMABLE FEATURES

TO SELECT AND START A PRESET PROGRAM

The Spirit Fitness CT850 offers twelve preset programs, Hill, Fat Burn, Cardio, Interval, HIIT (High Intensity Interval Training), 5k Run, 10k Run, a Custom User defined program, two heart rate control programs, a Fitness Test (Gerkin, Army, Navy, Airforce, Marine Corps, Coast Guard, PEB), and one Manual program.

1. Press the **Program** button to select a program, then press the **Enter** button to begin customizing the program with your personal data, or just press the **Start** button to begin the program with the default settings.
2. After selecting a program and pressing **Enter** to set your personal data, the **Time** window will blink with the default value of 20 minutes. You may use any of the **Up/Down** buttons to adjust the time. After adjusting the time, press **Enter**. (Note: You may press **Start** at any time during the programming to begin with only settings you have modified at that point).
3. The **Incline** window will now be blinking a value indicating your **Age**. Use the **Up/Down** buttons to adjust, and then press enter.
4. The **Distance** window will now be blinking a value indicating your **Bodyweight**. Entering your correct bodyweight affects the Kcal readout accuracy. Use the **Up/Down** buttons to adjust, and then press **Enter**.
5. The **Speed** window will now be blinking, showing the preset top speed of the selected program. Use the **Up/Down** buttons to adjust, and then press **Enter**. Each program has various speed changes throughout; this allows you to limit the highest speed the program will attain during your workout.
6. Now press the **Start** button to begin your workout, or the **Stop** button to return to the previous screen.
7. There will be a 3 minute warm-up to begin. You can press the **Start** button to bypass this and go straight to the workout. During the warm-up the clock will count down from 3 minutes. (5k Run, 10k Run, HR 1 & 2, Custom, and Manual do not have warm-up)

PRESET PROGRAMS SPEED/INCLINE SETTINGS

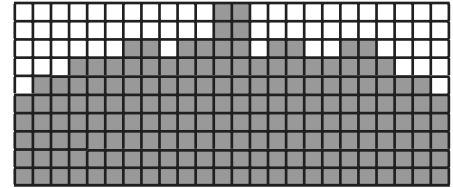
The preset program Speed and Incline levels are shown in the chart below. The Speed numbers shown in the chart indicate a percentage of the top speed of the program. For instance, the first Speed setting for P1 (Program 1, HILL) shows the number 20. This means that this segment of the program will have a speed that is 20% of the top speed for the program (The user sets the top speed in the procedure above). If the user sets the top speed to 10 mph, then the first segment will be 2 mph. You will notice that segment 12 shows 100 which means, the speed will be set to 100% of 10 mph or simply 10 mph.

P1= Hill; P2= Fatburn; P3= Cardio; P4= Interval

Prog	SEG	Warmup	1	2	3	4	5	6	7	8	9	10	11	12	13	14	15	16	17	18	19	20	21	22	23	24	Cooldown				
P1	Speed	20	30	40	50	60	60	70	70	70	80	80	70	80	80	100	100	70	80	80	70	80	80	70	60	60	50	40	30	20	
	Incline	0	0	0	0	1	2	3	3	4	3	3	4	4	5	3	3	4	4	4	5	4	3	1	1	0	0	0	0	0	
P2	Speed	20	30	40	50	60	60	70	80	100	100	100	100	100	100	100	100	100	100	100	100	100	100	80	70	60	50	40	30	20	
	Incline	0	0	0	0	1	2	3	3	3	4	5	3	3	4	4	3	3	2	2	3	4	5	6	4	2	1	0	0	0	0
P3	Speed	20	30	40	50	60	60	70	70	70	80	70	70	80	80	60	70	80	80	70	70	70	100	70	80	60	60	50	40	30	20
	Incline	0	0	0	0	1	1	1	2	2	3	2	2	3	3	1	2	3	3	2	2	4	4	2	3	1	1	0	0	0	0
P4	Speed	20	30	40	50	60	60	70	80	100	60	60	70	80	100	60	70	100	60	70	100	60	70	80	70	60	60	50	40	30	20
	Incline	0	0	0	0	1	2	3	5	6	2	3	5	6	7	2	3	7	2	3	8	2	3	5	4	3	1	0	0	0	0

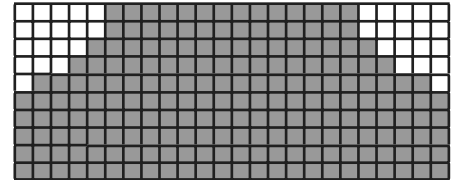
HILL

This program follows a triangle or pyramid type of gradual progression from approximately 10% of maximum effort (the level that you chose before starting this program) up to a maximum effort which lasts for 10% of the total workout time, then a gradual regression of resistance back to approximately 10% of maximum effort



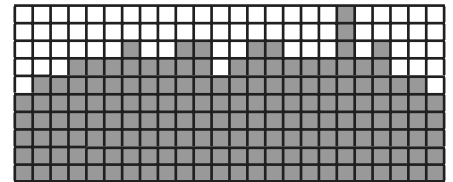
FAT BURN

This program follows a quick progression up to the maximum resistance level (default or user input level) that is sustained for 2/3 of the workout. This program will challenge your ability to sustain your energy output for an extended period of time.



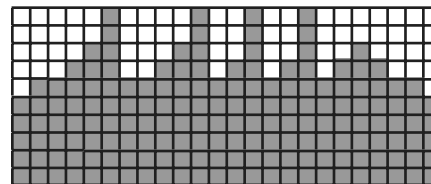
CARDIO

This program presents a quick progression up to near maximum resistance level (default or user input level). It has slight fluctuations up and down to allow your heart rate to elevate, and then recover repeatedly, before beginning a quick cool down. This will build up your heart muscle and increase blood flow and lung capacity



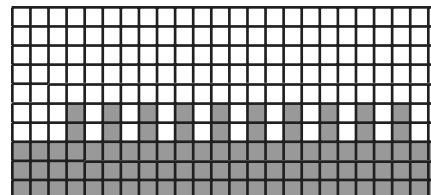
INTERVAL

This program takes you through high levels of intensity followed by recovery periods of low intensity. This program utilizes and develops your "Fast Twitch" muscle fibers which are used when performing tasks that are intense and short in duration. These deplete your oxygen level and spike your heart rate, followed by periods of recovery and heart rate drop to replenish oxygen. Your cardiovascular system gets programmed to use oxygen more efficiently.



HIIT

The HIIT, or High Intensity Interval Training, program takes advantage of the latest trend in fitness. During the program you will perform short bursts of high intensity sprinting followed by short rest periods. HIIT is a fully customizable interval training program. You can enter the number of intervals, time of each interval Sprint and Rest periods and the work intensity of the levels.



1. Using the **Program** button select the **HIIT** program then press **Enter**. The **Dot Matrix Message Center** will ask you to enter your **Age**. You may enter your **Age**, using the **Up** and **Down** keys, then press the **Enter** key to accept the new number and proceed on to the next screen.
2. You are now asked to enter your **Weight**. You may adjust the Weight number using the **Up** and **Down** keys then press **Enter** to continue.
3. Next you are asked for the number of intervals you want to do. The default is 10 and the range available is 3 to 15. One interval equals 1 Sprint and 1 Rest segment.
4. Next you will enter the Interval time. The **Dot Matrix Message Center** shows: Sprint Time:30 and Rest Time:30. The Sprint time will be blinking. You may use the **Up/Down** keys to adjust the Sprint time from 30 to 60 seconds

then press **Enter**. The time for the Rest period will blink and you can adjust the time using the **Up/Down** keys and press **Enter**.

5. The **Dot Matrix Message Center** now displays SPRINT SPD 6.0 MPH. Use the **Up/Down** buttons to adjust the sprint speed you desire and press **Enter**.
6. The **Dot Matrix Message Center** now displays REST SPEED 3.0 MPH. Use the **Up/Down** buttons to adjust the rest speed you desire and press **Enter**.
7. You may now press **Start** to begin the HIIT program. The program starts with a 3-minute warm-up period with the speed set to 50% of the sprint speed selected previously. You can manually adjust the speed during warm-up if you wish.

CUSTOM PROGRAM

1. Select the **Custom** program using the **Program** button then press **Enter**. Note that the **Dot Matrix Message Center** will light a single row of dots at the bottom (Unless there is a previously saved program).
2. The clock (**Time**) window will be flashing. Use the **Up/Down** buttons to set the program for the desired time. Press the **Enter** button. This is a must to continue even if the time is not adjusted.
3. The **Incline** window will now be blinking a value indicating your **Age**. Use the **Up/Down** buttons to adjust and then press **Enter**.
4. The **Distance** window will now be blinking a value indicating your **Bodyweight**. Entering your correct bodyweight affects the **Calorie** readout accuracy. Use the **Up/Down** buttons to adjust, and then press **Enter**.
5. The first speed setting column (segment) will now be blinking. Using the **Up/Down** buttons, adjust the speed to your desired effort level for the first segment then press **Enter**. The second column will now be blinking. Note that the previous segment value has been carried over to the new segment. Repeat the above process until all segments have been programmed.
6. The first column will be blinking again. The console is now ready for the incline settings. Repeat the same process used to set the speed values for programming the segments for incline.
7. Press the **Start** button to begin the workout and also save the program to memory.

5K RUN IOK RUN

This program automatically sets a 5k or 10k (5 or 10 kilometer) distance as your goal. The track display will show one loop that is the equivalent of 5 or 10 kilometers and the Distance window will also show 5k or 10k to start. When the program begins the Distance will count down; once it reaches zero the program ends.

**Please note that the Speed readout is in MPH if the console is not set to Metric.*

FITNESS TEST

When the Fit-Test button is pressed the dot matrix displays the 5 different tests available: Gerkin, Army, Navy, Air Force, Marines, PEB, Coast Guard. To select your desired fitness test use the arrow button and press enter.

FITNESS TEST OPERATION

1. The **Dot Matrix Message Window** will ask you to enter your **Weight**. You may adjust the weight setting, shown in the **Distance** window, using the **Up** and **Down** buttons then press the **Enter** button to accept the new number and proceed on to the next screen.
2. You are now asked to enter your **Age**. You may adjust the age setting, shown in the **Incline** window, using the **Up** and **Down** buttons then press **Enter** to continue.
3. You are now asked to enter your **Gender**. You may adjust the gender setting, shown in the **Incline** window, using the **Up** and **Down** buttons then press **Enter** to continue.
4. Now press **Start** to begin the test.

GERKIN TEST

The Gerkin protocol, also known as the fireman's protocol, and is a submax Vo₂ (volume of oxygen) test. The test will increase speed and elevation alternately until you reach 85% of your Max heart rate. The time it takes for you to reach 85% determines the test score (Vo₂ max) as shown in the chart below.

Stage	Time	Speed	Grade	VO ₂ Max
1	0 to 1:00	4.5mph	0%	31.15
2.1	1:15	4.5mph	2%	32.55
2.2	1:30	4.5mph	2%	33.6
2.3	1:45	4.5mph	2%	34.65
2.4	2:00	4.5mph	2%	35.35
3.1	2:15	5.0mph	2%	37.45
3.2	2:30	5.0mph	2%	39.55
3.3	2:45	5.0mph	2%	41.3
3.4	3:00	5.0mph	2%	43.4
4.1	3:15	5.0mph	4%	44.1
4.2	3:30	5.0mph	4%	45.15
4.3	3:45	5.0mph	4%	46.2
4.4	4:00	5.0mph	4%	46.5
5.1	4:15	5.5mph	4%	48.6
5.2	4:30	5.5mph	4%	50
5.3	4:45	5.5mph	4%	51.4
5.4	5:00	5.5mph	4%	52.8
6.1	5:15	5.5mph	6%	53.9
6.2	5:30	5.5mph	6%	54.9
6.3	5:45	5.5mph	6%	56

6.4	6:00	5.5mph	6%	57
7.1	6:15	6.0mph	6%	57.7
7.2	6:30	6.0mph	6%	58.8
7.3	6:45	6.0mph	6%	60.2
7.4	7:00	6.0mph	6%	61.2
8.1	7:15	6.0mph	8%	62.3
8.2	7:30	6.0mph	8%	63.3
8.3	7:45	6.0mph	8%	64
8.4	8:00	6.0mph	8%	65
9.1	8:15	6.5mph	8%	66.5
9.2	8:30	6.5mph	8%	68.2
9.3	8:45	6.5mph	8%	69
9.4	9:00	6.5mph	8%	70.7
10.1	9:15	6.5mph	10%	72.1
10.2	9:30	6.5mph	10%	73.1
10.3	9:45	6.5mph	10%	73.8
10.4	10:00	6.5mph	10%	74.9
11.1	10:15	7.0mph	10%	76.3
11.2	10:30	7.0mph	10%	77.7
11.3	10:45	7.0mph	10%	79.1
11.4	11:00	7.0mph	10%	80

ARMY

A timed 2 mile run. You control the speed manually.
Maximum time allowed to pass the test:

Age	Male	Female
17-21	16:36	19:42
22-26	17:30	20:36
27-31	17:54	21:42
32-36	18:48	23:06
37-41	19:30	24:06

NAVY

A timed 1.5 mile run. You control the speed manually.
Maximum time allowed to pass the test:

Age	Male	Female
17-21	16:36	19:42
22-26	17:30	20:36
27-31	17:54	21:42
32-36	18:48	23:06
37-41	19:30	24:06

Age	Male	Female
45-49	16:09	17:02
50-54	16:46	17:27
55-59	17:10	18:35
60-64	18:53	19:44
65+	20:36	20:53

AIR FORCE

A timed 1.5 mile run. You control the speed manually.
Maximum time allowed to pass the test:

Age	Male	Female
<20	12:36	16:22
20-30	14:00	16:57
40-49	14:52	18:14
50-59	16:22	19:42
60+	18:14	22:28

MARINES

A timed 3 mile run. You control the speed manually.
Maximum time allowed to pass the test:

Age	Male	Female
17-26	28:00	31:00
27-39	29:00	32:00
40-45	30:00	33:00
46+	33:00	36:00

PEB

A timed 1.5 mile run. You control the speed manually. Maximum time allowed to pass the test:

Age	Male	Female
20-24	10:43	13:36
25-29	11:05	13:43
30-34	11:26	13:43
35-39	11:47	14:37
40-44	12:28	15:12

Age	Male	Female
45-49	13:07	16:02
50-54	13:49	17:02
55-59	14:48	17:37
60+	15:07	17:37

COAST GUARD

A timed 1.5 mile run. You control the speed manually. Maximum time allowed to pass the test:

Age	Male	Female
<30	12:52	15:27
30-39	13:37	15:58
40-49	14:30	16:59
50-59	15:27	17:56
60+	16:41	18:46

Before The Test:

- Make sure you are in good health; check with your physician before performing any exercise if you are over the age of 35 or persons with pre-existing health conditions.
- Make sure you have warmed up and stretched before taking the test.
- Do not take in caffeine before the test.
- Hold the hand grips gently, do not tense up.

During The Test:

- The console must be receiving a steady heart rate for the test to begin. You may use the hand pulse sensors or wear a heart rate chest strap transmitter.
- The test will start with a 3 minute warm-up at 3 MPH before the actual test begins.
- The data shown during the test is:
 - a. Time indicates total elapsed time
 - b. Incline in percent grade
 - c. Distance in Miles or Kilometers depending on preset parameter.
 - d. Speed in MPH or KPH depending on preset parameter.
 - e. Target Heart Rate and Actual Heart Rate are shown in the **Dot Matrix Message Center**.

After The Test:

- Cool down for about one to three minutes.
- Take note of your score because the console will automatically return to the start-up mode after a few minutes.

WHAT YOUR SCORE MEANS

Vo2max Chart For Males And Very Fit Females

	18-25 years old	26-35 years old	36-45 years old	46-55 years old	56-65 years old	65+ years old
excellent	>60	>56	>51	>45	>41	>37
good	52-60	49-56	43-51	39-45	36-41	33-37
above average	47-51	43-48	39-42	35-38	32-35	29-32
average	42-46	40-42	35-38	32-35	30-31	26-28
below average	37-41	35-39	31-34	29-31	26-29	22-25
poor	30-36	30-34	26-30	25-28	22-25	20-21
very poor	<30	<30	<26	<25	<22	<20

Vo2max Chart For Females And De-Conditioned Males

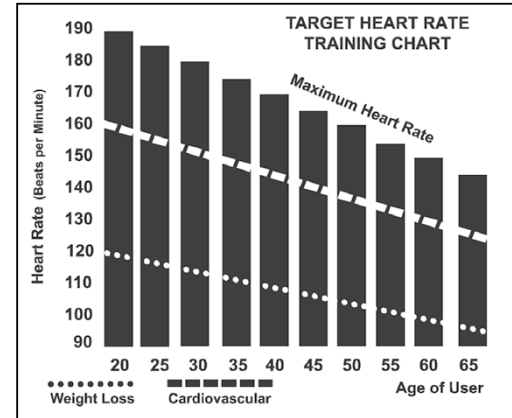
	18-25 years old	26-35 years old	36-45 years old	46-55 years old	56-65 years old	65+ years old
excellent	56	52	45	40	37	32
good	47-56	45-52	38-45	34-40	32-37	28-32
above average	42-46	39-44	34-37	31-33	28-31	25-27
average	38-41	35-38	31-33	28-30	25-27	22-24
below average	33-37	31-34	27-30	25-27	22-24	19-22
poor	28-32	26-30	22-26	20-24	18-21	17-18
very poor	<28	<26	<22	<20	<18	<17

HEART RATE PROGRAMS

The old motto, “no pain, no gain”, is a myth that has been overpowered by the benefits of exercising comfortably. A great deal of this success has been promoted by the use of heart rate monitors. With the proper use of a heart rate monitor, many people find that their usual choice of exercise intensity was either too high or too low and exercise is much more enjoyable by maintaining their heart rate in the desired benefit range.

To determine the benefit range in which you wish to train, you must first determine your Maximum Heart Rate. This can be accomplished by using the following formula: 220 minus your age. This will give you the Maximum Heart Rate (MHR) for someone of your age. To determine the effective heart rate range for specific goals you simply calculate a percentage of your MHR. Your Heart rate training zone is 50% to 90% of your maximum heart rate. 65% of your MHR is the recommended for burning fat while 85% is recommended for strengthening the cardio vascular system. This 65% to 85% is the zone to stay in for maximum benefit.

For someone who is 40 years old their target heart rate zone is calculated:
 $220 - 40 = 180$ (maximum heart rate)
 $180 \times .65 = 117$ beats per minute (65% of maximum)
 $180 \times .85 = 153$ beats per minute (85% of maximum)
So for a 40 year old the training zone would be 117 to 153 beats per minute.



If you enter your age during programming the console will perform this calculation automatically. Entering your age is used for the Heart Rate programs. After calculating your MHR you can decide upon which goal you would like to pursue.

The two most popular reasons for, or goals, of exercise are cardiovascular fitness (training for the heart and lungs) and weight control. The black columns on the chart represent the MHR for a person whose age is listed at the bottom of each column. The training heart rate, for either cardiovascular fitness or weight loss, is represented by two different lines that cut diagonally through the chart. A definition of the lines' goal is in the bottom left-hand corner of the chart. If your goal is cardiovascular fitness or if it is weight loss, it can be achieved by training at 85% or 65%, respectively, of your MHR on a schedule approved by your physician. Consult your physician before participating in any exercise program.

With all Spirit Fitness treadmills you may use the heart rate monitor feature without using the Heart Rate program. However, when using the heart rate monitor feature in conjunction with the Heart Rate programs, the machine will automatically adjust speed or incline to maintain the desired heart rate.

HEART RATE CONTROL

Heart Rate Control (HRC) uses your treadmill's incline system to control your heart rate. Increases and decreases in elevation affect heart rate much more efficiently than changes in speed alone. The HRC program automatically changes elevation gradually to achieve the programmed target heart rate.

Selecting a Heart Rate Control Program:

You have the option, during the setup mode, to choose either the Weight Control (HR-1) program or the Cardiovascular (HR-2) program. The Weight Control program will attempt to maintain your heart rate at 65% of your Maximum Heart Rate. The Cardiovascular program will attempt to maintain your heart rate at

80% of your Maximum Heart Rate. Your Maximum Heart Rate is based upon a formula that subtracts your age from a constant of 220. Your HR setting is automatically calculated during the setup mode when you enter your age.

HEART RATE CONTROL PROGRAMMING

1. You must receive a strong / steady value in heart rate window or the program will not start. **Dot Matrix Message Center** will show "Check Pulse" if there is no pulse signal.
2. Use the **Program** button to select the **HR** program to begin.
3. The **Dot Matrix Message Center** will show "Press **Enter** to modify or **Start** to begin workout". You can either press the **Enter** button for settings or press the **Start** button to execute the default program.
4. When **Enter** is pressed, the **Dot Matrix Message Center** will read, "Press 1 or 2 to select then press **Enter**". At the same time, the **Dot Matrix Message Center** will show "1".
5. The **Dot Matrix Message Center** will show "Adjust **Time** then press **Enter**" with the **Time** window blinking. Use the **Up/Down** & **Fast/Slow** buttons to adjust. After setting a time, press **Enter**.
6. The **Dot Matrix Message Center** will prompt you to enter **Age**. Press **Enter** once adjusted.
7. The **Dot Matrix Message Center** will prompt you to enter **Body Weight**. Press **Enter** once adjusted.
8. The **Dot Matrix Message Center** will prompt you to enter **Heart Rate**. Press **Enter** once adjusted.
9. Press **Start** to begin your workout or **Enter** to modify. Press **Stop** to return to the previous screen.

RATE OF PERCEIVED EXERTION

There are more variables involved in how hard you should workout than just heart rate. Your stress level, physical health, emotional health, temperature, humidity, the time of day, the last time you ate and what you ate, all contribute to the intensity at which you should workout.

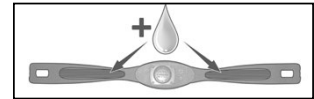
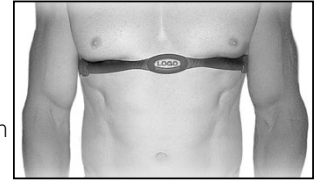
The rate of perceived exertion (RPE), also know as the Borg scale, was developed by Swedish physiologist G.A.V. Borg. The scale helps users determine an approximate heart rate level when a heart rate monitor was not in use. Using the scale below, rate the level of intensity of your workout, or the perception of your effort during your workout. Once the rating has been determined, simply add a "0" to the rating to get your approximate heart rate. For example, if your workout felt comfortable, you would rate it a "12". Then add a "0" to get an approximate heart rate during your workout of 120 beats per minute. The scale is as follows:

Rating Perception of Effort

6 Minimal	10 Very light +	14 Somewhat hard +	18 Very hard +
7 Very,very light	11 Fairly light	15 Hard	19 Very,very hard
8 Very,very light +	12 Comfortable	16 Hard +	20 Maximal
9 Very light	13 Somewhat hard	17 Very hard	

WEARING THE CHEST STRAP (SOLD SEPARATELY)

1. Attach the transmitter to the elastic strap using the interlocking button.
2. Adjust the strap as tightly as possible while ensuring it is still comfortable.
3. Position the transmitter with the logo centered in the middle of your torso facing away from your chest (some people must position the transmitter slightly left of center). Attach the final end of the elastic strap by inserting the round end and, using the locking parts, secure the transmitter and strap around your chest.
4. Position the transmitter directly below the pectoral muscles.
5. Sweat is the best conductor to measure very minute heart beat electrical signals. However, plain water can also be used to pre-wet the electrodes (2 ribbed oval areas on the reverse side of the belt and both sides of the transmitter). It's also recommended that you wear the transmitter strap a few minutes before your work out. Some users, because of body chemistry, have a more difficult time in achieving a strong, steady signal at the beginning. After "warming up", this problem lessens.
6. Your workout must be within range - distance between transmitter/receiver – to achieve a strong steady signal. The length of range may vary somewhat but generally stay close enough to the console to maintain good, strong, reliable readings. Wearing the transmitter directly on bare skin assures you of proper operation. If you wish, you may wear the transmitter over a shirt. To do so, wet the areas of the shirt that the electrodes will rest upon.



Note: The transmitter is automatically activated when it detects activity from the user's heart. Additionally, it automatically deactivates when it does not receive any activity. Although the transmitter is water resistant, moisture can have the effect of creating false signals, so you should take precautions to completely dry the transmitter after use to prolong battery life (estimated transmitter battery life is 2500 hours). The replacement battery is CR2032. The chest strap is sold separately. Chest straps that operate using Bluetooth or ANT+ should also work with this machine.

ERRATIC OPERATION

Caution! Do not use this treadmill for Heart Rate programs unless a steady, solid Actual Heart Rate value is being displayed. High, wild, random numbers being displayed indicate a problem.

Areas to look for interference which may cause erratic heart rate:

1. Microwave ovens, TV's, small appliances, etc.
2. Fluorescent lights.
3. Some household security systems.
4. Electric fence for a pet.
5. Some people have problems with the transmitter picking up a signal from their skin. If you have problems try wearing the transmitter upside down. Normally the transmitter will be oriented so the Spirit Fitness logo is right side up.
6. The antenna that picks up your heart rate is very sensitive. If there is an outside noise source, turning the whole machine 90 degrees may de-tune the interference.
7. Another Individual wearing a transmitter within 3' of your machine's console.

If you continue to experience problems contact your dealer.

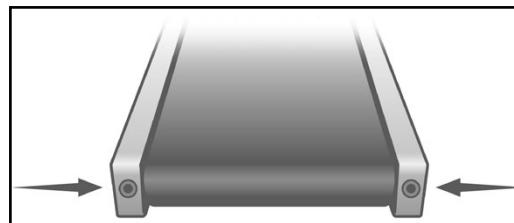
CALIBRATION PROCEDURE

1. Remove the safety key.
2. Press and hold down the **Start** and **Speed Up** buttons and replace the safety button. Continue to hold the **Start** and **Speed Up** button until the window displays "Factory settings", then press the **Enter** button.
3. You will now be able to set the display to show Metric or Imperial settings (Meters vs. Miles). To do this, press the **Up** or **Down** button to show which you want, then press **Enter**.
4. Make sure the wheel size diameter is 2.98 then press **Enter**.
5. Adjust the minimum speed (if needed) to 0.3 and then press **Enter**.
6. Adjust the maximum speed (if needed) to 15.0 and then press **Enter**.
7. Adjust the maximum elevation (if needed) to 15 and then press **Enter**.
8. Press **Start** to begin calibration. The process is automatic; the speed will start up without warning, so do not stand on the belt.

BELT ADJUSTMENTS

Tread-belt Tension Adjustment - Belt tension is not critical for most users. It is very important though for joggers and runners in order to provide a smooth, steady running surface.

Adjustment must be made from the rear roller with the 8mm Allen wrench provided in the parts package. The adjustment bolts are located at the end of the step rails as shown in the diagram to the right.



Tighten the rear roller only enough to prevent slippage at the front roller. Turn the tread-belt tension adjusting bolts 1/4 turn each and inspect for proper tension by walking on the belt and making sure it is not slipping or hesitating with each step. When an adjustment is made to the belt tension, you must be sure to turn the bolts on both sides evenly or the belt could start tracking to one side instead of running in the middle of the deck.

DO NOT OVER TIGHTEN – Over tightening will cause belt damage and premature bearing failure. If you tighten the belt a lot and it still slips, the problem could actually be the drive belt - located under the motor cover - that connects the motor to the front roller. If that belt is loose it feels similar to the walking belt being loose. Tightening the motor belt should be done by a trained service person.

BELT/DECK

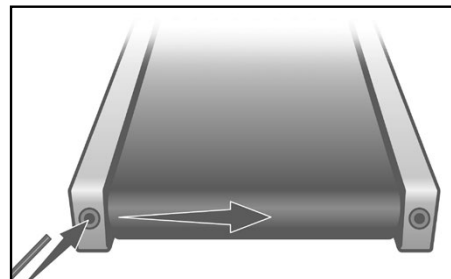
Your treadmill uses a very high-efficient and proprietary belt/deck combination. Performance is maximized when the deck is kept as clean as possible. Use a soft, damp cloth, or paper towel, wipe the edge of the belt and the area between the belt edge and the frame. Also reach as far as practical directly under the belt edge. This should be done once a month to extend belt and deck life. A mild soap and water solution along with a nylon scrub brush will clean the top of the textured belt. Allow to dry before using. The low maintenance (routine monthly cleaning), dual sided deck is designed to withstand up to 4,000 hrs on each side. If the original side of the deck use is over 4000 hrs, then it needs to be flipped. Contact your service technician for assistance. Do not apply any type of lubricant or wax to the surface.

TREADBELT TRACKING ADJUSTMENT

The treadmill is designed so that the tread-belt remains reasonably centered while in use. It is normal for some belts to drift near one side while in use, depending on a user's gait and if they favor one leg. But if during use the belt continues to move toward one side, adjustments are necessary.

SETTING TREAD-BELT TRACKING

An 8mm Allen wrench is provided for this adjustment. Make tracking adjustments on the left side bolt. Set belt speed at 3 mph. Be aware that a small adjustment can make a dramatic difference which may not be apparent right away. If the belt is too close to the left side, then turn the bolt only a 1/4 turn to the right (clockwise) and wait a few minutes for the belt to adjust itself. Continue to make 1/4 turns until the belt stabilizes in the center of the running deck.



If the belt is too close to the right side, turn the bolt counter-clockwise. The belt may require periodic tracking adjustment depending on use and walking/running characteristics. Some users may affect tracking differently. Expect to make adjustments as required to center the tread-belt. Adjustments will become less of a maintenance concern as the belt is used. Proper belt tracking is an owner responsibility common with all treadmills.

ATTENTION: Damage to the running belt resulting from improper tracking / tension adjustments is not covered under the Spirit Fitness warranty.

ENGINEERING MODE MENU

The console has built in maintenance/diagnostic software. The software will allow you to change the console settings from English to Metric and turn off the beeping of the speaker when a button is pressed for example. To enter the Engineering Mode Menu press and hold down the **Start**, **Stop** and **Enter** buttons, then insert the safety button. Keep holding the buttons down for about 5 seconds until the Message Center displays Engineering Mode Menu. Press the **Enter** button to access the menu below:

1. Key Test (Will allow you to test all the buttons to make sure they are functioning)
2. Display Test (Tests all the display functions)
3. Security (Allows the keypad to be locked to prevent unauthorized use)
4. Functions (Press Enter to access settings and Up arrow to scroll)
 - a. Sleep Mode -Turn on to have the console power down automatically after 30 minutes of inactivity
 - b. Pause Mode -Turn on allow 5 minutes of pause, turn off to have the console pause indefinitely
 - c. Maintenance - Reset maintenance reminder message and odometer readings
 - d. GS Mode - Returns the elevation to lowest setting when pause is pressed
 - e. Beep Mode- Turns the speaker (beep sound) on or off.
5. Security - Sets the Child Lock function. This function locks out the keypad until a pre-determined key sequence is pressed. Key sequence = Incline UP held down together until unlocked.

TROUBLESHOOTING - DIAGNOSIS GUIDE

PROBLEM	SOLUTION/CAUSE
Display does not light	<ol style="list-style-type: none"> 1. Tether cord not in position. 2. Circuit breaker on front grill tripped. Push circuit breaker in until it locks. 3. Plug is disconnected. Make sure plug is firmly pushed into 110 - 120 VAC wall outlet. 4. Breaker panel circuit breaker may be tripped. 5. Treadmill defect. Contact your Spirit Fitness dealer.
Tread-belt does not stay centered Treadmill belt hesitates when walked/run on	<p>The user may be walking while favoring or putting more weight on either the left or right foot. If this walking pattern is natural, track the belt slightly off-center to the side opposite from the belt movement. See General Maintenance section on Tread-belt Tension. Adjust as necessary.</p>
Motor is not responsive after pressing start	<ol style="list-style-type: none"> 1. If the belt moves, but stops after a short time and the display shows "LS", run calibration. 2. If you press start and the belt never moves, then the display shows LS, contact service.
Circuit breaker trips, but not the treadmill circuit breaker	<p>Need to replace the breaker with a "High In-rush current" type breaker (see page 3 for details)</p>

Treadmill will only achieve approximately 7 mph but shows higher speed on display	This indicates motor should be receiving power to operate. Low AC voltage to treadmill. Do not use an extension cord. If an extension cord is required it should be as short as possible and heavy duty 16 gauge minimum. Low voltage. Contact an electrician or your Spirit Fitness dealer. A minimum of 120 volt AC current is required.
Tread-belt stops quickly/suddenly when tether cord is pulled	High belt/deck friction. See General Maintenance section on cleaning the deck. If cleaning doesn't prevent this from reoccurring, check to see if there is significant wear of the deck. If so, the deck may need to be flipped if it is on its original side.
Treadmill trips on board 20 amp circuit	High belt/deck friction. See General Maintenance . If cleaning doesn't prevent this from reoccurring, check the amp draw of the motor. If this is high and there are signs of significant wear of the deck, it may need to be flipped if it is on its original side.
Computer shuts off when console is touched (on a cold day) while walking/running	Treadmill may not be grounded. Static electricity is "crashing" the computer. Refer to Grounding Instructions on page 6.
Noises while in uses (squeaks, bumps, clicking, etc.)	Tighten all bolts. Check that machine is leveled. Adjust levelers if needed using a wrench.

GENERAL MAINTENANCE

1. After each workout, wipe down all areas exposed to sweat with a damp cloth.
2. Ensure all bolts are properly tightened after assembly and before each use.
3. Ensure that the unit is properly leveled after assembly and before each use. Use leveling pads on the bottom of the feet to adjust height.

SANITIZING YOUR SPIRIT FITNESS EQUIPMENT

- Unupholstered high-contact surfaces (hard plastics) can be sanitized using a 75% isopropyl alcohol solution and a clean, dry cloth. Spray surfaces to be sanitized, and use the dry cloth to wipe clean. Allow surfaces to dry before using.
- For upholstered or soft-plastic surfaces, use a conditioner after sanitizing. Be sure to follow the instructions provided by the conditioner manufacturer to ensure proper use of the conditioner.
- Alternatively, you can make your own spray by mixing the proper ratio of isopropyl alcohol and distilled water to reach a 75% solution.

TREADMILL WARRANTY EFFECTIVE AUGUST 10, 2023

Spirit Fitness warrants all its Treadmill parts for a period of time listed below from the date of retail sale, as determined by sale receipt, or in the absence of a sales receipt eighteen (18) months from the original factory shipping date. Spirit Fitness' responsibilities include providing new or remanufactured parts, at Spirit Fitness' option, and technical support to our independent dealers and servicing organizations. In the absence of a dealer or service organization, these warranties will be administered by Spirit Fitness directly to a consumer. The warranty period applies to the following components:

Warranty	Frame	Motor/Deck	Parts	Labor
Commercial (Non-Dues Paying Facilities)	Lifetime	5 Years	5 Years	2 Year
Residential	Lifetime	Lifetime	10 Years	2 Year

*Prisons and correctional facilities are excluded from warranty coverage.

NORMAL RESPONSIBILITIES OF THE CONSUMER

The consumer or non-dues paying facility is responsible for the items listed below:

1. The warranty registration card must be completed and returned to the address listed on the card within 10 days of the original purchase, or completed online to validate the manufacturer's limited warranty.
2. Proper use of the fitness equipment in accordance with the instructions provided in this manual
3. Proper installation in accordance with instructions provided with the fitness equipment and with all local electric codes.
4. Proper connection to a grounded power supply of sufficient voltage, replacement of blown fuses, repair of loose connections or defects in house or facility wiring.
5. Expenses for making the fitness equipment accessible for servicing, including any item that was not part of the fitness equipment at the time it was shipped from the factory.
6. Damages to the fitness equipment finish during shipping, installation or following installation.
7. Routine maintenance of this unit as specified in this manual.

EXCLUSIONS

This warranty does not cover the following:

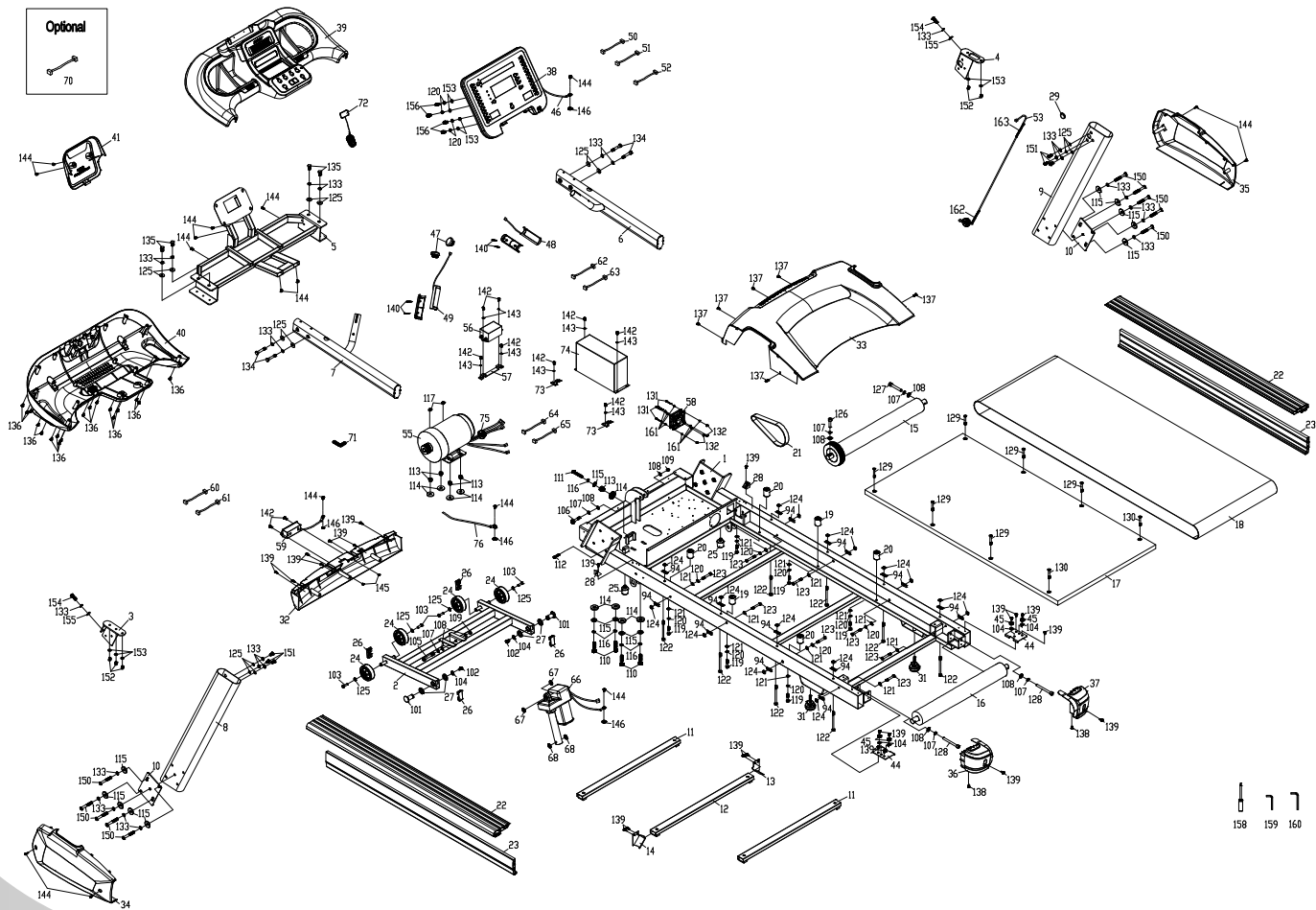
1. CONSEQUENTIAL, COLLATERAL, OR INCIDENTAL DAMAGES SUCH AS PROPERTY DAMAGE AND INCIDENTAL EXPENSES RESULTING FROM ANY BREACH OF THIS WRITTEN OR ANY IMPLIED WARRANTY.
NOTE: Some states do not allow the exclusion or limitation of incidental or consequential damages, so this limitation or exclusion may not apply to you.
2. Service call reimbursement to the consumer. Service call reimbursement to the dealer that does not involve malfunction or defects in workmanship or material, for units that are beyond the warranty period, for units that are beyond the service call reimbursement period, for fitness equipment not requiring component replacement, or fitness equipment not in non-dues paying facility or household use.
3. Damages caused by services performed by persons other than authorized Spirit Fitness service companies; use of parts other than original Spirit Fitness parts; or external causes such as corrosion, discoloration of paint or plastic, alterations, modifications, abuse, misuse, accident, improper maintenance, inadequate power supply, or acts of God.
4. Products with original serial numbers that have been removed or altered.
5. Products that have been: sold, transferred, bartered, or given to a third party.
6. Products that do not have a warranty registration card on file at Spirit Fitness. Spirit Fitness reserves the right to request proof of purchase if no warranty record exists for the product.
7. THIS WARRANTY IS EXPRESSLY IN LIEU OF ALL OTHER WARRANTIES EXPRESSED OR IMPLIED, INCLUDING THE WARRANTIES OF MERCHANTABILITY AND/OR FITNESS FOR A PARTICULAR PURPOSE.
8. Product used in a dues paying facility
9. Product used in prisons and correctional facilities
10. Warranties outside of the United States may vary. Please contact your local dealer for details.

SERVICE

Keep your bill of sale. Twelve (12) months from the date on the bill of sale or eighteen (18) months from the date of factory shipping as determined by the serial number establishes the labor warranty period should service be required. If service is performed, it is in your best interest to obtain and keep all receipts. This written warranty gives you specific legal rights. You may also have other rights that vary from state to state. Service under this warranty must be obtained by following these steps, in order:

1. Contact your selling authorized Spirit Fitness dealer. OR
2. Contact your local authorized Spirit Fitness service organization.
3. If there is a question as to where to obtain service, contact our service department at
4. Spirit Fitness' obligation under this warranty is limited to repairing or replacing, at Spirit Fitness' option, the product through one of our authorized service centers. All repairs must be preauthorized by Spirit Fitness. If the product is shipped to a service center freight charges to and from the service center will be the customer's responsibility. For replacement parts shipped while the product is under warranty, the customer will be responsible for shipping and handling charges. For in-home service, the customer will be responsible for a trip charge. There will be an additional trip charge if the customer is located over 100 miles from the nearest service center.
5. The owner is responsible for adequate packaging upon return to Spirit Fitness. Spirit Fitness is not responsible for damages in shipping. Make all freight damage claims with the appropriate freight carrier. DO NOT SHIP ANY UNIT TO OUR FACTORY WITHOUT A RETURN AUTHORIZATION NUMBER. All units arriving without a return authorization number will be refused.

Optional



CT850 - ST8600 - YTO58 - 01 Part List SPIRIT (LED, 120V)

#	Part Name	QTY
1	Main Frame	1
2	Incline Bracket	1
3	Locking Plate Assembly (L)	1
4	Locking Plate Assembly (R)	1
5	Console Support	1
6	Handle Bar (R)	1
7	Handle Bar (L)	1
8	Left Upright	1
9	Right Upright	1
10	Upright Fixing Plate	2
11	Running Deck Stabilizer Assembly(A)	2
12	Running Deck Stabilizer Assembly(B)	1
13	Belt Guide(R)	1
14	Belt Guide(L)	1
15	Front Roller W/Pulley	1
16	Rear Roller	1
17	Running Deck	1
18	Running Belt	1
19	Cushion A	2
20	Cushion B	4
21	Drive Belt	1
22	Foot Rail(Upper)	2
23	Foot Rail	2
24	Transportation Wheel	4
25	Incline Rubber Foot	2
26	Square End Cap	4
27	Stable Wheel Spacer	4
28	Motor Cover Anchor(D)	2
29	Round Cap	1
31	Foot Pad	2
32	Front Motor Cover	1
33	Motor Top Cover	1
34	Motor Base Cap (L)	1
35	Motor Base Cap (R)	1
36	Rear Adjustment Base (L)	1

37	Rear Adjustment Base (R)	1
38	Console Assembly	1
39	Rack Top Cover	1
40	Rack Bottom Cover	1
41	Console Cover	1
44	Adjustment Rail Pad	2
45	Rubber Foot Pad	4
46	300m/m_Ground Wire	1
47	Handpulse End Cap	2
48	900m/m_Handpulse W/Cable Assembly(SMP-03)	1
49	900m/m_Handpulse W/Cable Assembly(SMR-03)	1
50	400m/m_Handpulse Wire (Upper)	1
51	400m/m_Handpulse Wire (Upper)	1
52	1100m/m_Computer Cable(Upper)	1
53	2000m/m_Computer Cable	1
55	Drive Motor	1
56	Filter	1
57	Filter Plate	1
58	Fan	1
59	AC Electronic Module	1
60	450m/m_Connecting Wire (White)	1
61	450m/m_Connecting Wire (Black)	1
62	350m/m_Connecting Wire(White)	1
63	350m/m_Connecting Wire (Black)	1
64	400m/m_Motor Fan Connecting Cable(Black)	1
65	400m/m_Motor Fan Connecting Cable(White)	1
66	Incline Motor	1
67	Ø10 × Ø25 × 0.8T Nylon Washer	2
68	Ø10 × Ø25 × 2.5T Nylon Washer	2
70	Power Cord	1
71	TV Adapter (5C2V)	1
72	Square Safety Key	1
73	Inverter Plate	2
74	Inverter	1
75	Ø35x21x13L Ferrite Core	1
76	300m/m_Ground Wire	1
94	Ø30x14x1.5Tx3.5H_Concave Washer	16

101	Ø18 x Ø19 x 41L Carriage Bolt	2
102	M8 x 12m/m Hex Head Bolt	2
103	3/8" x 25m/m Hex Head Bolt	4
104	Ø8.5 x Ø26 x 2.0T Flat Washer	6
105	M10 x P1.5 x 65m/m Hex Head Bolt	1
106	M10 x P1.5 x 50m/m Hex Head Bolt	1
107	Ø10 x 1.5T Split Washer	6
108	Ø3/8" x Ø19 x 1.5T Flat Washer	8
109	M10 x P1.5 x 8T Nylon Nut	2
110	3/8" x UNC16 x 2" Socket Head Cap Bolt	4
111	3/8" x 2-1/2" Hex Head Bolt	1
112	3/8" x UCN16 x 2" Socket Head Cap Bolt	1
113	Ø10 x Ø14 x 14L Bushing	5
114	Ø13 x Ø35 x 5T Nylon Washer	9
115	Ø3/8" x 35 x 2.0T Flat Washer	15
116	Ø10 x 2.0T Split Washer	5
117	3/8" x 7T Nylon Nut	2
119	M8 x 1.25 x 40m/m Socket Head Cap Bolt	6
120	Ø8 x 1.5T Split Washer	14
121	Ø5/16" x 16 x 1.0T Flat Washer	14
122	M8 x 1.25 x 95m/m Socket Head Cap Bolt	8
123	M8 x 55m/m Hex Head Bolt	8
124	M8 x 1.25 x 6.5T Square Nut	16
125	Ø3/8" x Ø25 x 2.0T Flat Washer	18
126	M10 x 40m/m Socket Head Cap Bolt	1
127	M10 x 80m/m Socket Head Cap Bolt	1
128	M10 x 100m/m Socket Head Cap Bolt	2
129	M8 x P1.25 x 55L Flat Head Countersink Bolt	6
130	M8 x 35m/m Flat Head Countersink Bolt	2
131	M3 x 50m/m Phillips Head Screw	4
132	M3 x 5T Nylon Nut	4
133	Ø10 x 2T Split Washer	26
134	3/8" x 2-1/4" Hex Head Bolt	4
135	3/8" x 3/4" Hex Head Bolt	4
136	3.5 x 12m/m Sheet Metal Screw	18
137	5 x 12m/m Sheet Metal Screw	6
138	5 x 25m/m Tapping Screw	2

139	5 x 20m/m Tapping Screw	23
140	3 x 25m/m Tapping Screw	4
142	M5 x 12m/m Phillips Head Screw	10
143	Ø5 x 1.5T Split Washer	8
144	M5 x 12m/m Phillips Head Screw	16
145	M5 x 5T Nylon Nut	2
146	M5 Star Washer	4
150	3/8" x 3" Button Head Socket Bolt	10
151	3/8" x 3/4" Button Head Socket Bolt	6
152	M8 x 12m/m Socket Head Cap Bolt	5
153	Ø8 x Ø16 x 2T Flat Washer	9
154	3/8" x UNC16 x 1-1/4" Button Head Socket Bolt	2
155	Ø10 x Ø23 x 1.5T Curved Washer	2
156	M8 x P1.25 x 20L Socket Head Cap Bolt	4
158	Phillips Head Screw Driver	1
159	L Allen Wrench	1
160	Allen Wrench	1
161	Isolation Pad	8
162	Ending Tape(400m/m)	1
163	Ending Tape(200m/m)	1
230809		