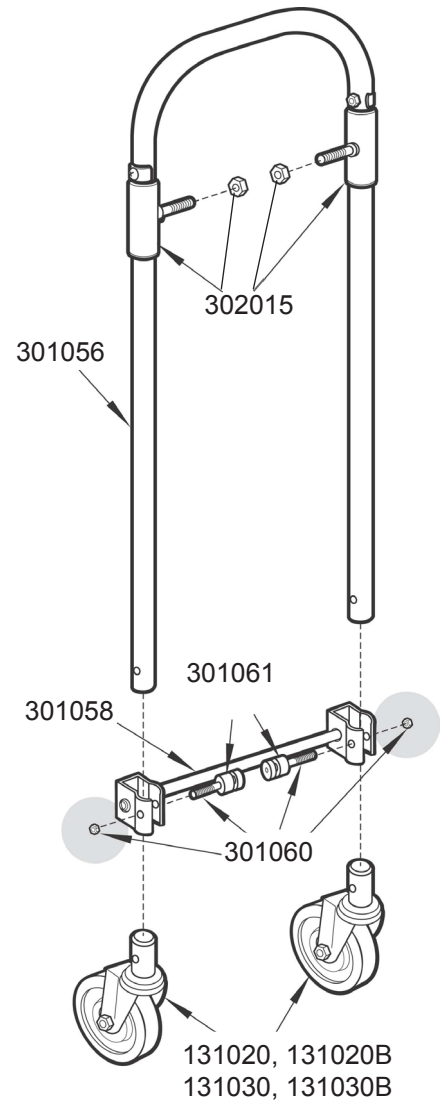
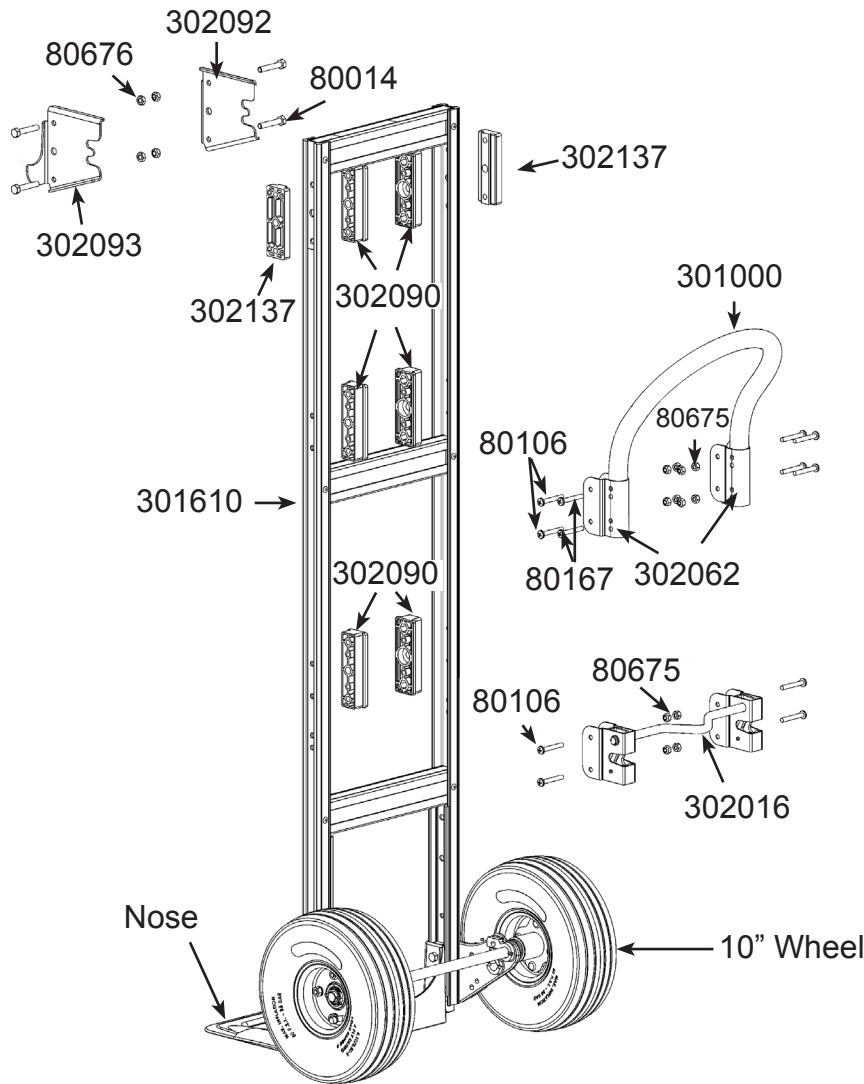
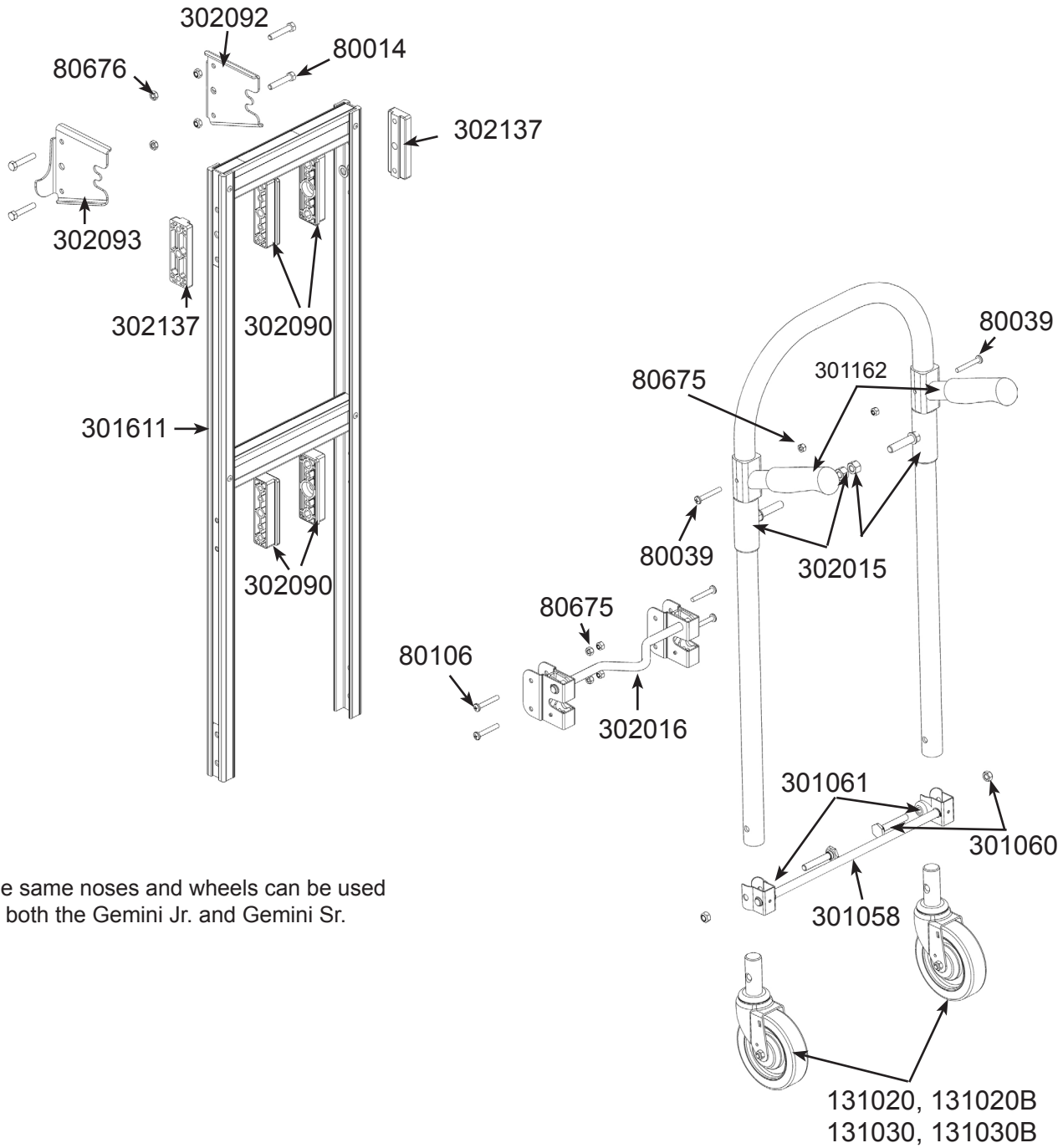


Gemini® Sr. Replacement Parts Detail



Description	Part ID
Nose AA die cast aluminum - 14" x 7-1/2"	300200
Nose AM die cast magnesium - 14" x 7-1/2"	300204
Nose HM die cast magnesium - 14" x 12"	300197
Nose UA die cast aluminum - 18" x 7-1/2"	300201
Nose UM die cast magnesium - 18" x 7-1/2"	300205
Nose E1 extruded aluminum with cutout - 14" x 7-1/2" recessed, 14" x 9" flush	300244
Nose E2 extruded aluminum without cutout - 14" x 9" flush mount only	300254
Nose G1 extruded aluminum with cutout - 18" x 7-1/2" recessed, 18" x 9" flush	300245
Nose G2 extruded aluminum without cutout - 18" x 9" flush mount only	300248
Nose K1 extruded aluminum - 16" x 12" flush mount only	300203
Nose K2 extruded aluminum - 20" x 12" flush mount only	300215
Wheel 1010 microcellular foam, steel hub - 10" x 3-1/2"	131010
Wheel 1020 4-ply foam-filled pneumatic, off-set hub - 10" x 3-1/2"	101020
Wheel 1025 solid rubber, polyolefin hub - 10" x 2-3/4"	111025
Wheel 1030 balloon cushion, polyolefin hub - 10" x 2"	101030
Wheel 1060 4-ply pneumatic tube-type, off-set hub - 10" x 3-1/2"	121060
Wheel 1055 2-ply pneumatic tube-type, off-set hub - 10" x 3-1/2"	121055
Wheel 1070 microcellular foam, HDPE hub - 10" x 2"	111070
Wheel 1075 microcellular foam, HDPE hub - 10" x 2-3/4"	111075
Wheel 1080 microcellular foam, HDPE hub - 10" x 3-1/2"	111080

Gemini® Jr. Replacement Parts Detail



The same noses and wheels can be used on both the Gemini Jr. and Gemini Sr.

Gemini® and Magliner® are registered trademarks of Magline, Inc.