



# Convoid Trekker - HCPCS E1234

## Retail Price List / Order Form

Account #: \_\_\_\_\_ Purchase Order #: \_\_\_\_\_ Date: \_\_\_\_\_  
 Contact: \_\_\_\_\_ ATP/RTS: \_\_\_\_\_ Mark For: \_\_\_\_\_

Bill To:	Ship To:
Address:	Address:
City/State/Zip:	City/State/Zip:
Phone:	Phone:
Email:	

### Trekker Standard Features:

- Trekker Folding Mobility Frame Accepts TR12 & TR14 Seating Systems
- Tilt-in-Space (-10° to +45°)
- 180° Reversible Seating Configuration
- 90° Fixed Front Rigging
- 7.5" x 2" Front and 11.5" x 2.5" Rear Solid Tires
- One Piece Height Adjustable Push Handle (Inside Mount)

- Silver Powder Coated Frame
- 90° Fixed Footplate
- Quick Release Rear Wheels
- Standard Recline 80° to 110°
- Depth Adjustable Seat Pan
- Made in the USA

### Transit Standard Features:

- Transit Anchor Brackets
- 2-Point Pelvic Belt
- Head Support (required)

### Standard Models:

- TR Seating System - C904768
- TR Mobility Frame - C904661

### Transit Included Models:

- TR Seating System - C904768
- TR Mobility Frame Transit - C905362

### Seating System

- Seat Width 12"
  - Back Canes Only
  - TR12 Height Adjustable Solid Back 9" - 17"
- Seat Width 14"
  - Back Canes Only
  - TR14 Height Adjustable Solid Back 17" -26"
- Back Additional Recline Option<sup>1</sup>**
- Recline Option (80 to 170 degrees) (Manufacturer Installation Required)
- Snuggle Back Cushions:\*\***
- TR12 Short 12" x 18"
- TR14 Tall 14" x 26"
- Comfort Side Support Wings**
- Comfort Side Support Wing - Left
- Comfort Side Support Wing - Right
- Extra Back Cushion Options**
- Lumbar Support
- Seating Depth Position (Select One - See Chart on Bottom of Order Form):**
- Seat Depth Position 1 (TR12: 5.5"-8"/TR14: 8"-10")
- Seat Depth Position 2 (TR12: 7.5"-10"/TR14: 10"-12")
- Seat Depth Position 3 (TR12: 9.5"-12"/TR14: 12"-14")
- Seat Depth Position 4 (TR12: NA/TR14: 13"-15")
- Planar Seat Cushion\*<sup>2</sup>**
- Snuggle Planar Seat Short Cushion - Standard Fabric (TR12: 12x12) / (TR14: 14x14)
- Snuggle Planar Seat Short Cushion - Spacer Fabric (TR12: 12x12) / (TR14: 14x14)
- Contoured Seat Cushion\*<sup>2</sup>**
- Snuggle Contoured Seat Long Cushion - Standard Fabric (TR12: 12x14) / (TR14: 14x16)
- Snuggle Contoured Seat Long Cushion - Spacer Fabric (TR12: 12x14) / (TR14: 14x16)
- Upholstery Colors:**
- Panther Black
- Royal Blue
- Forest Green
- Sassy Purple
- Princess Pink
- Cherry Red

<sup>1</sup>Manufacturer Installation Required.  
<sup>2</sup>Fast tab is only added to Cushion if 3-Pt Belt is added. New Cushion is required if 3-Pt Belt is added after-market.  
 \*All seat cushions must have fast tab for aftermarket 3-Pt Belt and H-Harness.  
 \*\*Back cushion dimensions are seat pan to top of back pan.

### Frame Options

- Height Adjustable Push Handle (Outside Mount)
- Caster Locks (Manufacturer Installation Required)
- Rear Anti-Tip Tubes
- Curb Tipper

### Transit Required Items

- Transit Anchor Brackets<sup>1^\*</sup>
- 2-Point Pelvic Belt
- Using other manufacturer's Head Support

<sup>1</sup>Manufacturer Installation Required.  
<sup>^</sup>Transit required items are included in base price when selecting Trekker Transit Model  
 \*Requires Head Support and Pelvic Positioning Belt.

### Transit Option

- Q'Straint Transit Lap Belt

### HCPCS

**E2293**

**E2293**

**E1226**

**K0108**

**E2292**

**E2292**

**E2294**

**E2294**

### HCPCS

**K0073**

**E0971**

### HCPCS

**K0108**

**E0978**

### HCPCS

**E0978**

### TR12

### TR14

C905515	
C508446	
C904662	
	C905516
	C508447
	C904663
C905053	C905053
C904696	
	C904699
C904617	C904617
C904618	C904618
C904664	C904664
C905354	C905354
C905355	C905355
C905356	C905356
	C905360
C905412	C904710
C904708	C905425
C905415	C904783
C905429	C905430
C903854	C903854
C903850	C903850
C903857	C903857
C903851	C903851
C903759	C903759
C903855	C903855

### TR12

### TR14

C904688	C904688
C904689	C904689
C904649	C904649
C905310	C905310

### TR12

### TR14

C904576	C904576
C905386	C905386
C995681	C995681

### TR12

### TR14

C903094	C903094
---------	---------

**Head Supports**

- Integrated Adj Head Support Assembly (Option only on TR12 Seating System)
- R82 Adjustable Width Headrest, Black Cover - Short (Hardware Required)
  - Turtle Neck Bar System, Short (Required)
  - Headrest Universal Mount (Required)
- R82 Anatomic Headrest with Black Cover (Hardware Required)**
  - Small
  - Medium
    - Turtle Neck Bar System, Short (Required)
    - Headrest Universal Mount (Required)

**Trunk Positioning**

- H-Harness w/ Padded Covers^^
  - Torso Vest by R82**
    - LT Shoulder to RT Hip: 7.75" - 10.75" (Size XS)
    - LT Shoulder to RT Hip: 10.75" - 12.5" (Size S)
    - LT Shoulder to RT Hip: 12.5" - 16" (Size M)
    - LT Shoulder to RT Hip: 16" - 18.5" (Size L)
    - LT Shoulder to RT Hip: 18.5" - 20.5" (Size XL)
    - LT Shoulder to RT Hip: 20.5" - 23.5" (Size XXL)
    - Camlock Kit for Vest (Required)
  - Cross Vest by R82**
    - LT Shoulder to RT Hip: 7.75" - 12.5" (Size XS)
    - LT Shoulder to RT Hip: 10.25" - 13.5" (Size S)
    - LT Shoulder to RT Hip: 13.5" - 17.75" (Size M)
    - LT Shoulder to RT Hip: 17.75" - 20.75" (Size L)
    - LT Shoulder to RT Hip: 20.75" - 24.5" (Size XL)
    - Camlock Kit for Vest (Required)
- ^^^Requires the Height Adjustable Solid Back System and 3-Point Pelvic Belt.

**Laterals**

- Fixed Laterals - Width, Height, Adj. Lateral Thoracic Support**
- Left Lateral Padding Selection:**
  - Size 1: 4" (D) x 4.5" (H)
  - Size 2: 5" (D) x 4.5" (H)
- Right Lateral Padding Selection:**
  - Size 1: 4" (D) x 4.5" (H)
  - Size 2: 5" (D) x 4.5" (H)
- Swing-Away Laterals - Height Adj. Lateral Thoracic Support**
- Left Lateral Padding Selection:**
  - Size 1: 4" (D) x 2.75" (H)
  - Size 2: 5.75" (D) x 4.25" (H)
  - Swing Away Adj. Hardware (Required for S/A Laterals)
- Right Lateral Padding Selection:**
  - Size 1: 4" (D) x 2.75" (H)
  - Size 2: 5.75" (D) x 4.25" (H)
  - Swing Away Adj. Hardware (Required for S/A Laterals)
- 1" Thick Padded Lateral Support Cover

**Pelvic Positioning**

- 2-Point Pelvic Belt
- 3-Point Pelvic Belt
- 4-Point Pelvic Belt by R82 (Cannot be paired with 2-PT Pelvic Belt)\***
  - Hip Width: 6.75" - 12.5" (Size XS)
  - Hip Width: 8.25" - 13.75" (Size S)
  - Hip Width: 9.75" - 16.25" (Size M)
  - Hip Width: 12.5" - 17.25" (Size L)
  - Hip Width: 16.25" - 20.5" (Size XL)

**Hip Guides**

- Hip Guides without Armrest - Height Adj. Lateral Pelvic Support**
  - Left Size Selection:**
    - Small - 4.5" - 5.5" (H)\*
    - Large - 5.25" - 6.25" (H)\*
  - Right Size Selection:**
    - Small - 4.5" - 5.5" (H)\*
    - Large - 5.25" - 6.25" (H)\*
  - Hip Guides with Armrest - Height Adj. Lateral Pelvic Support (Cannot be used with Reversible Tray)**
  - Left Size Selection:**
    - Small - 5"-6"(H)\*
    - Large - 7"-8" (H)\*
  - Right Size Selection:**
    - Small - 5"-6"(H)
    - Large - 7"-8" (H)\*
  - Medial Knee Abductor (Pommel)**
    - Small (1.5" front width, 3.5" depth, 2" back width, 2.25" height)
    - Medium (2.6" front width, 4.1" depth, 2" back width, 2.7" height)
- \*Height is reduced by 1" when used with Planar Seat Cushion or 2" if used with Contoured Seat Cushion.

**HCPCS**

- E0955
- E0955
- E1028
- K0108
  
- E0955
- E0955
- E1028
- K0108

**HCPCS**

- E0960
  
- E0960
- E0960
- E0960
- E0960
- E0960
- E0960
  
- E0960
- E0960
- E0960
- E0960
- E0960

**HCPCS**

- E0956
- E0956
  
- E0956
- E0956
  
- E0956
- E0956
- E1028
- E0960
  
- E0956
- E0956
- E1028
- E0960

**HCPCS**

- E0978
- E0978
  
- K0108
- K0108
- K0108
- K0108
- K0108

**HCPCS**

- E0956
- E0956
  
- E0956
- E0956
  
- E0956
- E0956
  
- E0957
- E0957

TR12	TR14
C904615	
C905287	C905287
C904948	C904948
C904946	C904946
C904950	C904950
C904951	C904951
C904948	C904948
C904946	C904946

TR12	TR14
C904695	C904695
C905476	C905476
C905152	C905152
C905153	C905153
C905154	C905154
C905480	C905480
C905481	C905481
C905394	C905394
C905176	C905176
C905177	C905177
C905178	C905178
C905179	C905179
C905180	C905180
C905394	C905394

C904760	C904760
C904876	C904876
C904761	C904761
C904886	C904886
C904864	C904864
C904866	C904866
C904884	C904884
C904865	C904865
C904867	C904867
C904885	C904885
C905411	C905411

TR12	TR14
C905386	C905386
C904017	C904017
C905148	C905148
C905149	C905149
C905150	C905150
C905151	C905151
C905475	C905475

TR12	TR14
C904935	C905042
C905040	C904937
C904936	C905043
C905041	C904938
C904611	C904613
	C904927
C904612	C904614
	C904928
C904557	C904557
C904591	C904591

**Foot & Leg Positioning**

- Elevating Leg Rest (90° - 180°)<sup>1</sup>
- Padded Elevating Legrest Cover
- Calf Panel (E.I.) H: 3.5"
- Calf Panel (Standard) H: 6"
- Individual Angle Adjustable Footplates (Elevating Leg Rest Required)<sup>1</sup>
- One Piece Angle Adjustable Flip Up Footplate (-15° - +15°)
- Full Padded Footbox (One-Piece Footplate Required)

**Foot Positioners**

- Foot Positioners - Small 7" - 10"
- Foot Positioners - Medium 8" - 11"

**Therafin Shoe Holders w/Padded Straps (Pair)**

- Small
- Medium

<sup>1</sup>**Manufacturer Installation Required.**

**Tire Options**

- 12.5" x 2" Rear Solid Knobby Tires
- 7.5" x 2" Front, 12.5" X 2" Rear Pneumatic Knobby Tires

**Medical Support Accessories**

- Medical Necessity Storage Basket
- IV Pole (Height Adjustable and Collapsible)<sup>o</sup>
  - Adj. Swing-Away Hardware (Required for IV Pole)
- Vertical O2 Tank Holder<sup>\*1</sup>
- LTV Ventilator Holder<sup>1</sup>
- Ventilator/Suction/Hard Tray
- Extended Ventilator/Suction/Hard Tray

<sup>1</sup>**Manufacturer Installation Required.**

<sup>o</sup>**Requires Rear Anti-Tip Tubes.**

**\*Cannot be used during transit.**

**Accessories**

- Headrest Cover (Canopy)
- Extended Headrest (Canopy)
- Upper Extremity Support Tray (Clear Tray)<sup>\*\*^</sup>
  - Adj Removable Hardware (Required for Clear Tray)
- Padded Tray Cover\* (Clear Tray Required)
- Under Seat Storage Basket
- Utility Bag
- Rain Cover (Headrest Cover Required)
- Mosquito Net (Headrest Cover Required)

**\*Cannot be used during transit.**

**^Not available with Hip Guides with Armrest.**

**R82 High-Low:xo Frame Options**

**Manual Lifts**

- High-Low:xo Frame, Manual Lift, Indoor, Size 1
- Push Brace for High-Low:xo - Indoor (will interfere with 170° recline)**
- Push Brace - Fixed Angle
- Push Brace, Angle Adjustable
- Stingray Seat Module - Interface Adaptor Kit for Trekker Frame\*

**\*Required with Trekker Frame.**

\*\*\*The Trekker Transit option includes four manufacturer installed red wheelchair transportation anchors. The Trekker Transit model has been crash tested and conforms to RESNA WC19 standards. Anthropomorphic Test Device weights are TR12T 75lbs/34kg and TR14T 110lbs/50kg.

The Convoid Trekker Mobility Base was tested with the Trekker Seating Module equipped with a head support and wheelchair anchored pelvic lap belt. Do not use the foot positioners on the Convoid Trekker during transit in a motor vehicle. The performance and safety of accessories and/or other seating options not tested by Convoid is unknown, and no warranty or claim about their performance is or can being made.

Furthermore, when being transported in a vehicle it is Convoid's position that the wheelchair user transfer from the wheelchair into appropriate vehicle seating during transportation. Please note that at this time, the Department of Transportation has not officially approved any tie-down system for a user while in a wheelchair, therefore Convoid cannot recommend a transit system.

For more information on RESNA WC-19 and WC-20 standards please visit <http://www.rercwts.pitt.edu/WC19.html>.

**HCPCS**

- K0990**
- K0108**
- E0995**
- E0995**
- K0040**
- K0040**
- K0108**

- K0108**
- K0108**

- K0108**
- K0108**

**HCPCS**

**HCPCS**

- K0105**
- K1028**
- E2208**
- E1029**
- E1029**
- E1029**

**HCPCS**

- K0108**
- K0108**
- E0950**
- E1028**
- K0108**

**HCPCS**

TR12	TR14
C905046	C905047
C904619	C904619
C905370	C905370
C904580	C904580
C905049	C905050
C904568	C904596
C904955	C904956
C903415	C903415
C903416	C903416
C904679	C904679
C904680	C904680

TR12	TR14
C904117	C904117
C904118	C904118

TR12	TR14
C904606	C904606
C904566	C904566
C905612	C905612
C904565	C904565
C904671	C904671
C904595	C904595
C905416	C905416

TR12	TR14
C904572	C904599
C904690	C904691
C904556	C904590
C905361	C905361
C904586	C904610
C904605	C904605
C904531	C904531
C904790	C904791
C904788	C904789

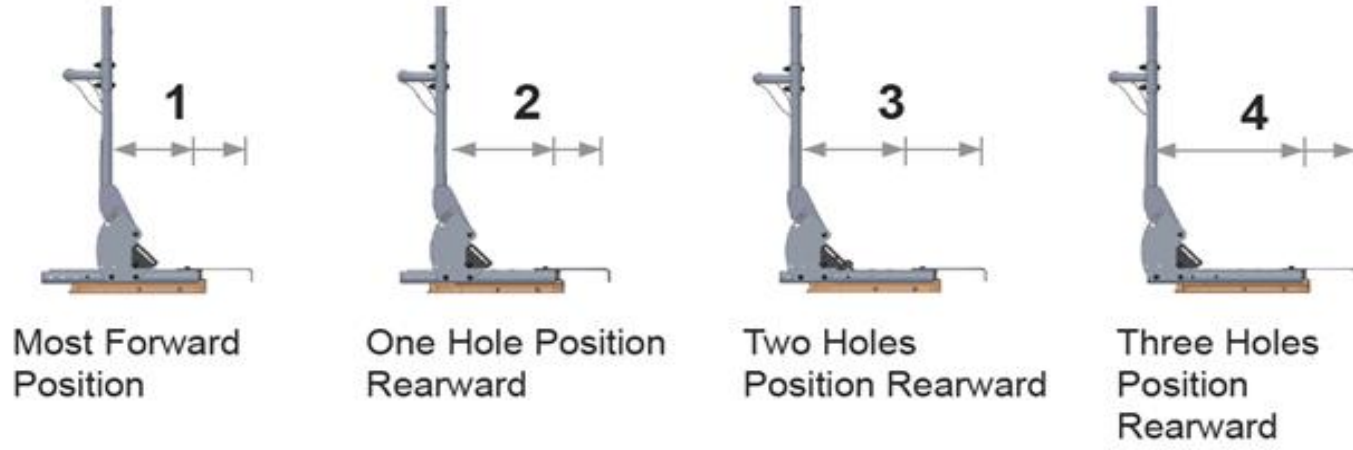
TR12	TR14
C905366	C905366
C905368	C905368
C905369	C905369
C905363	C905363

HCPCS codes are provided for your convenience and are NOT to be considered billing or legal advice. Providers are responsible for insuring that appropriate billing codes are used when submitting claims. Proper use of HCPCS codes does not insure coverage or payment. Contact the appropriate payer for coverage information.



**Seat Depth Adjustable Positions:**

<b>Seat Depth Growth</b>				
<b>Postion:</b>	<b>1</b>	<b>2</b>	<b>3</b>	<b>4</b>
<b>TR12:</b>	5.5" - 8"	7.5" - 10"	9.5" - 12"	N/A
<b>TR14:</b>	8" - 10"	10" - 12"	12" - 14"	13" - 15"



**Trekker Top Vests Belt Slot (Shoulder) Height from Seat Pan**

	<b>Minimum</b>	<b>Maximum</b>
<b>TR12</b> Integrated Headrest	9"	13"
<b>TR12</b> Separate Headrest	13"	17"
<b>TR14</b> Separate Headrest	17"	26"

**Seating Module Specifications:****Convoid Trekker Seating Module Specifications**

<b>Seat Width with Accessories</b>	<b>TR 12 (Size 1)</b>	<b>TR 14 (Size 2)</b>
Trunk Width between Fixed Laterals (With Comfort Wings/Without Comfort Wings)	7.5" - 8" / 7.5" - 12"	9.5" - 10" / 9.5" - 14"
Trunk Width between Swing-Away Laterals (With Comfort Wings/Without Comfort Wings)	6" - 8" / 6" - 10"	7" - 9.5" / 7" - 14"
Hip Width between Hip Guides Without Armrests	5.5" - 11.5"	6.5" - 14"
Hip Width between Hip Guides With Armrests	5.5" - 11.5"	6.5" - 14"

**Convoid Trekker Seat to Footplate Dimensions**

<b>Seat to Footplate Dimensions</b>	<b>TR 12 (Size 1)</b>	<b>TR 14 (Size 2)</b>
Fixed 90° with one piece footplate	5.5" - 11.5"	5.5" - 11.5"
Fixed 90° with one piece footplate (flipped)	3.25" - 9.25"	3.25" - 9.25"
ELR with one piece footplate	4.75" - 10.75"	6.25" - 12.25"
ELR with one piece footplate (flipped)	2" - 8"	4.25" - 10.25"
ELR with individual footplates	5" - 11"	7" - 13"
ELR with individual footplates (flipped)	2" - 5"	4" - 7"