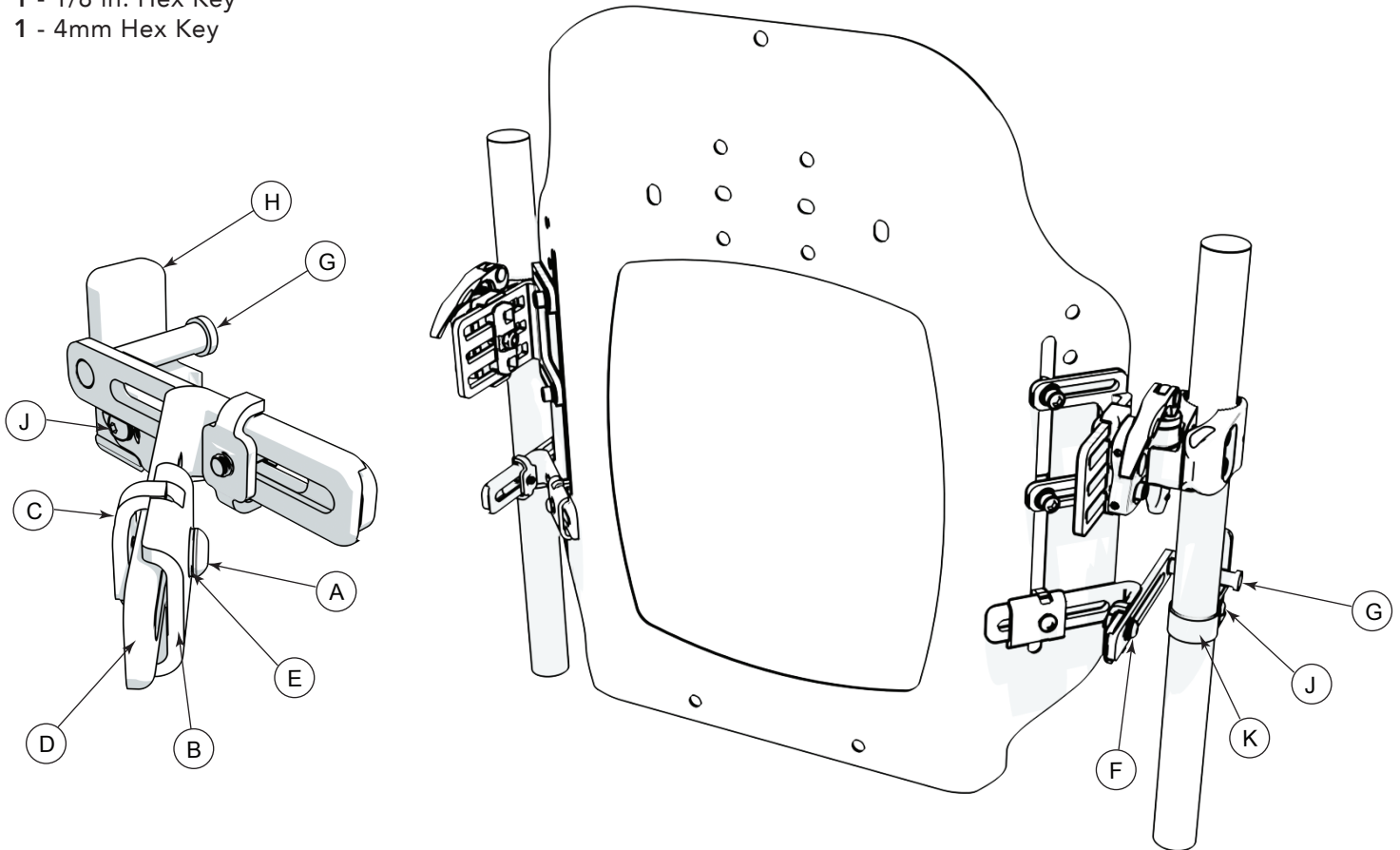


BS-H-4PT45 HARDWARE

PARTS INCLUDED:

- 1 - Complete 45° Hardware
(Includes additional straps for cane mount attachment to larger diameter canes 1 1/8 and 1 1/4")
- 1 - 1/8 in. Hex Key
- 1 - 4mm Hex Key



- 1 To attach 4 point hardware to the back support shell, for each the left and right side of the back support, remove bolt (A) using the 4mm hex key to disconnect the lock nuts (B) and (C) from the angled bracket (D).
- 2 Place angled bracket (D) against shell and reconnect lock nuts (B) and (C) through the slot and lightly secure to the shell with bolt (A) and safety washer (E). Assembly order (A) (E) (B) (D) (Shell) (C)
- 3 Gently loosen bolts (F) and adjust so mounting pegs (G) are resting against the canes as shown. Tighten bolts (A) and (F) to set the placement of the hardware.
- 4 Next, attach the cane mounts to secure each mounting peg against the cane. To attach the cane mount (H), remove screw (J) using 1/8" hex key to release one side of cane strap (K).
 Note: Use the short strap (pre-attached) as is for 7/8" and 1" canes. Use both inner strap holes for 3/4" canes. Replace and use the longer strap provided in kit for 1 1/8" and 1 1/4" diameter canes.
- 5 Place the cane mount (H) just below mounting peg (G) and wrap strap (K) around the cane. Replace screw (J) and tighten. Complete for both left and right sides.
- 6 Tighten the screws located on the front of the cane mounts (not pictured) to fully secure the strap.