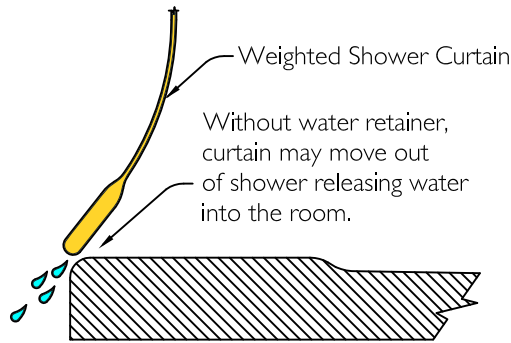


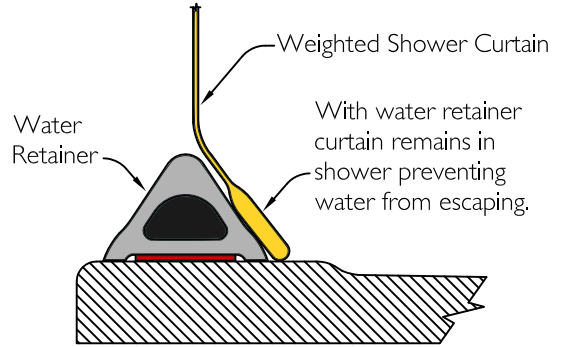
COLLAPSIBLE WATER RETAINER - INSTALLATION INSTRUCTIONS

Tools you might need for proper installation

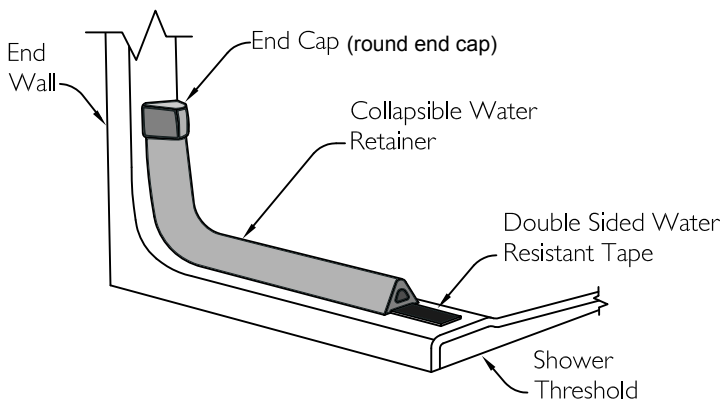
- Utility knife
- Tape measure
- Straight edge
- Clear or white silicone adhesive caulk
- Masking tape
- Rubbing alcohol
- Bucket of water
- Clean rags



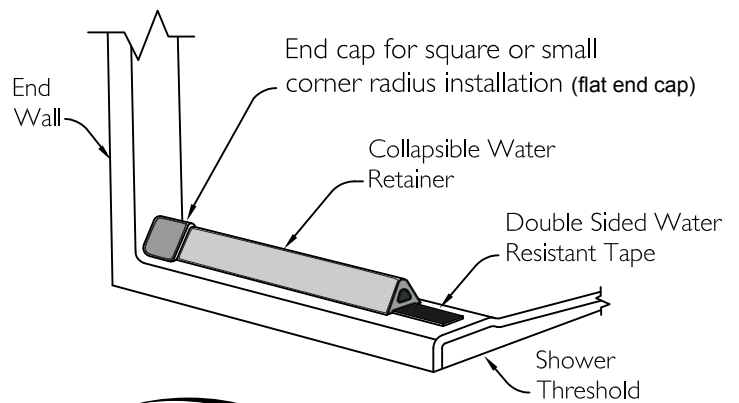
Without Collapsible Water Retainer



With Collapsible Water Retainer



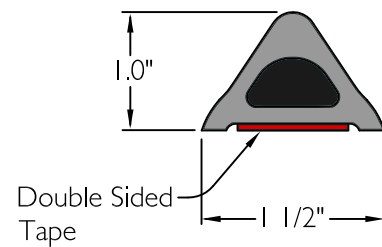
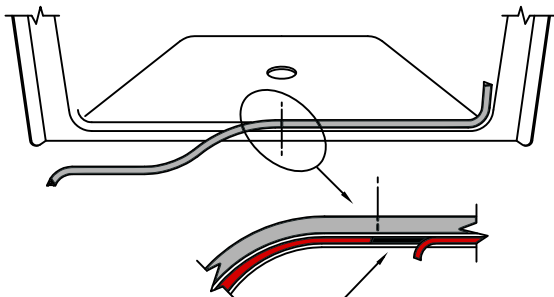
Showers With Large Corner Radius



FREEDOM

Showers With Square Or Small Corner Radius

NOTE: Thoroughly clean threshold surface of all soap scum and debris with standard fiberglass bath cleanser. Chemically clean this surface with denatured alcohol.



Cross Section

Cut Orange Cover On Tape At Center And Peel Away About 4 Inches To One Side

Align Centerline Of Water Retainer With Shower Centerline. Press And Adhere

Peel, stretch, and align to corner. Repeat on the other side, peel, stretch, align, and press to adhere. Apply end caps.

Caulk as required along edges of end caps to secure and seal.