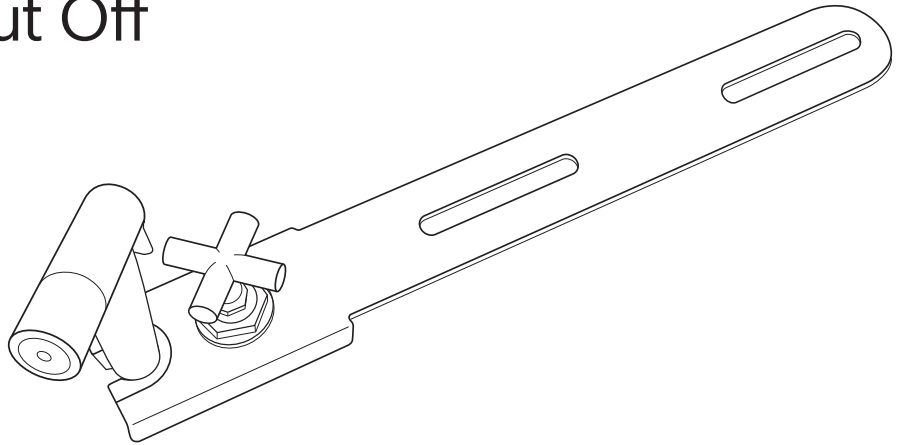


# Brondell®

## CleanSpa Luxury Hand-held Bidet Holster with Integrated Shut Off

**Models:** MBH-40-S  
MBH-40-W  
MBH-40-B



### Features

- Stainless steel sprayer head
- Spring-loaded trigger for easy operation and control
- Flexible, spiral-metal hose with patented inner woven core
- Stainless steel, rust-free metal mount
- Easy-twist, polished chrome knob with on/off and water pressure control
- Rubber pads for porcelain protection
- All-metal T-Valve and braided-metal water supply hose
- Simple, DIY installation
- Ambient temperature wash
- One-Year Warranty

### Technical Specifications

| Technical Specifications          |  |
|-----------------------------------|--|
| Dimensions (L x W)                | 15.75" x 2.24" / 40 cm x 6 cm          |
| Product Thickness                 | 0.08" / 0.2 cm                         |
| Weight                            | 2.29 lb / 1.04 kg                      |
| Sprayer Material                  | 304 stainless steel                    |
| Number of Sprays/Nozzle Positions | 1                                      |
| Sprayer Control Type              | Press                                  |
| Operating Water Pressure          | 20 psi – 100 psi / 0.14 MPa – 0.69 MPa |
| Incoming Water Temperature Range  | 32°F–158°F / 0°C–70°C                  |
| T-Valve Connection Size           | 3/8" x 3/8" x 7/8"                     |
| Holster Internal Valve Type       | Brass                                  |
| Sprayer Hose Connection Sizes     | 1/2"                                   |
| Sprayer Hose Length               | 39.37" / 100 cm                        |
| Hose Temp Rating                  | 32°F–158°F / 0°C–70°C                  |
| T-Valve Material                  | Brass                                  |

**Brondell®**  
Feels better already.

**NOTE:** The specifications listed above are subject to change without prior notice for reasons of improving the product performance.

#22MBH40\_0314