

# Tracking

Overhead tracking: A world of tracks

## Primary application

Home care  
Nursing homes  
Hospital

Overhead track systems: a world of flexible, rugged and easy to install tracks. Bestcare provides multiple track solutions to accommodate the varying and challenging needs in today's health care sector.

The low profile 3" track, small and strong, is designed with low height, optimal span distances and ease of installation in mind.

The 4" track is a stand-alone track used mainly for traverse tracking but also for systems needing a combination of low height and long spans.

The light weight of the 5.4" track belies its strength. This track has the longest span distance of all the tracks and may be used as a traverse track together with the unique door connecting system.

Our telescopic tracks can be either combined for flexible room covering systems or used as stand-alone fixed systems where the need is to maximize the span distances.

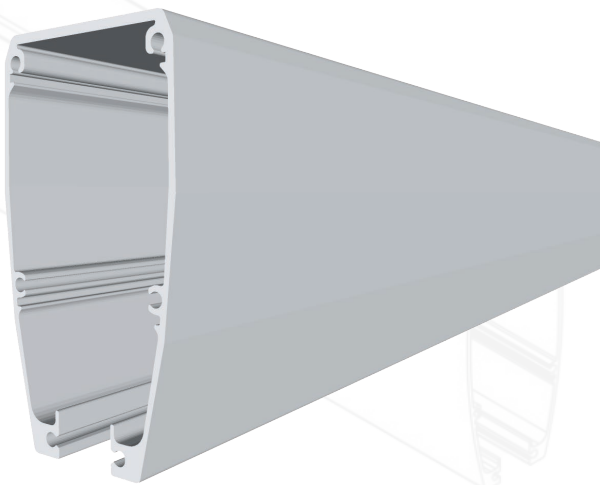
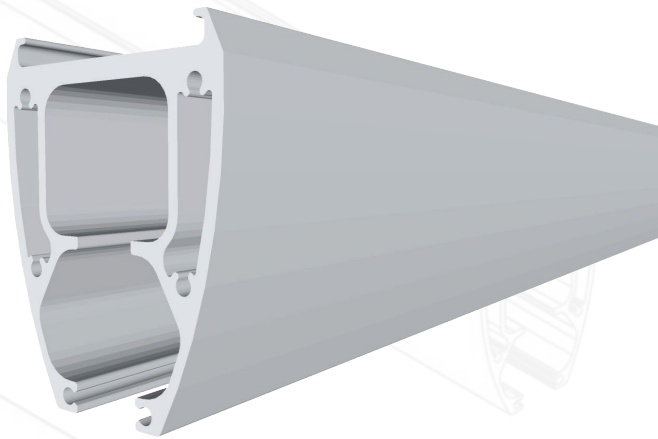
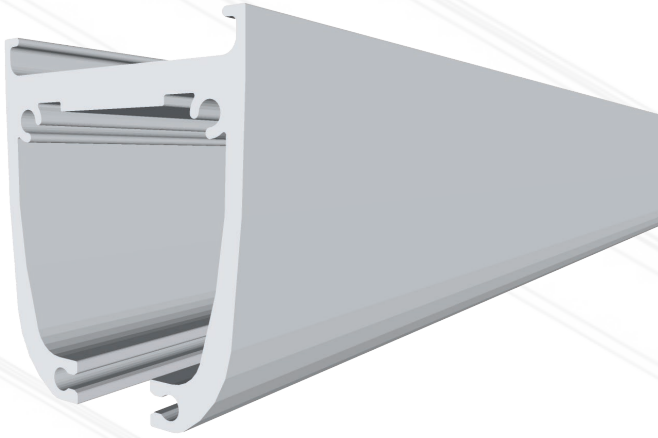
Regardless of the demands on the system configuration, all the tracks can work together to deliver a total solution, ensuring ease of installation, use and cost effectiveness, so put our tracking to the test.

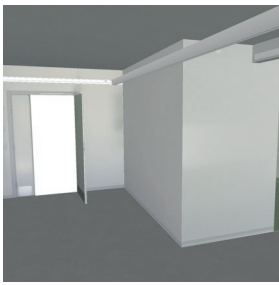
## Key standard functions

Complete range of tracking and accessories  
Can be ceiling or wall mounted  
Discreet, easy to install in many configurations.  
Profiles can be combined to optimise solutions.  
Clean and simple state-of-the-art-design.

## Accessories

A range of accessories and installation brackets are available for the tracks including wall/ceiling brackets, track changers, turntables, door connectors etc.





Long traverse spans using fixed telescopic.



Room to room with 5.4" track and door connectors.



3" track used with suspended ceiling.



3" track with a 90 degree curve.

Version	Item-number
3" track 126"	TK-75-3.2
3" track 157"	TK-75-4
3" track 197"	TK-75-5
3" track 276"	TK-75-7
4" track 126"	TK-103-3.2
4" track 157"	TK-103-4
4" track 197"	TK-103-5
4" track 276"	TK-103-7
5.4" track 169"	TK-135-4.3
5.4" track 217"	TK-135-5.5
5.4" track 276"	TK-135-7
90° bowed track	TK-75-90R
60° bowed track	TK-75-60R
45° bowed track	TK-75-45R

### TECHNICAL SPECIFICATION

Measurements of profile

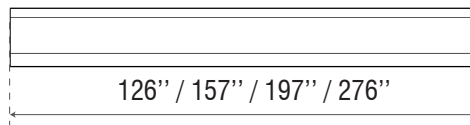
Weight

Mounting

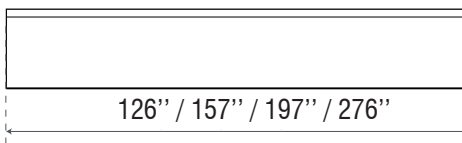
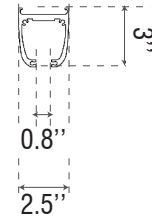
See drawings

Contact Bestcare for spec. sheets

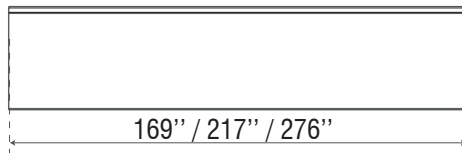
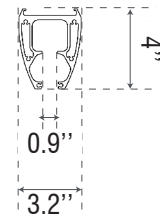
Can be mounted on most materials



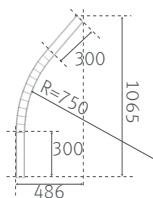
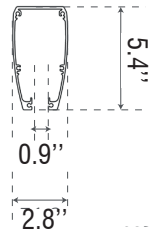
Drawings refer to 3" track



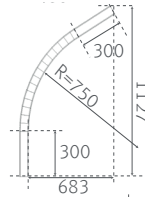
Drawings refer to 4" track



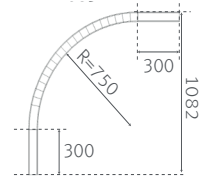
Drawings refer to 5.4" track



Drawing refers to 45° bowed track



Drawing refers to 60° bowed track



Drawing refers to 90° bowed track

Consult the Technical manual for further specifications. All figures and measurements are for guidance only and may differ in actual situations. Bestcare reserves the right to changes make without notice.

Product photos may include accessories. Consult your dealer.