

new



buddy

freedom to roam

roamer™

buddy
roamer™



The Buddy Roamer™ is a posterior walking aid that provides partial weight bearing postural support with mobility.

The ergonomically designed frame supports body weight while allowing the child to walk around freely and unaided.

more than just a walker

Our Aims and Objectives

The opportunity to walk is incredible for our client group, but if, at the same time, we also see benefits of communication and relationships, we also affect that much more elusive thing we call 'quality of life'!

Encouraging Communication

As we set the unit up for Sarah-Jane her mother was asking 'what video do you want to see?' It was Sarah-Jane's first time to walk unaided and as she took her first tentative steps her Mum called out 'Sarah-Jane, come over here' but her daughter didn't listen. Instead she made her way across the room and very deliberately lifted, from the middle of the pile, the video she wanted to watch and handed it to her Mum!

This lovely, non-verbal 9 year old girl had made her wishes known - loud and clear! - Mobility allowed her to communicate!

Enabling Relationships

Imagine the excitement when a Dad said to us recently "This is the first time in ten years that my son was able to give me a hug! "

Experiencing New Possibilities

If you have ever seen the look on a child's face as it takes its first unaided steps, there is a magic that cannot be described! The Buddy Roamer™ has the potential of opening up new worlds not yet experienced!

"The Buddy Roamer™ fulfils my dream of a functional unit that enables children to walk following the natural gait pattern, and the fact that it is open to the front encourages communication, relationships, interaction, play and learning."

Girvan MacCorkell,
CEO of the Moorings Group



The Buddy Roamer™ has been designed to meet the needs of mild, moderate and complex users.

The standard product provides safe and comfortable positioning using:-

Adjustable pelvic supports and hip guides

Adjustable chest Lateral supports

Central positioning bar

Completely open to the front

There is no obstruction to interaction with other people or objects. This allows the child to have hands-free interaction with the surroundings to learn, explore and discover.

Early Intervention

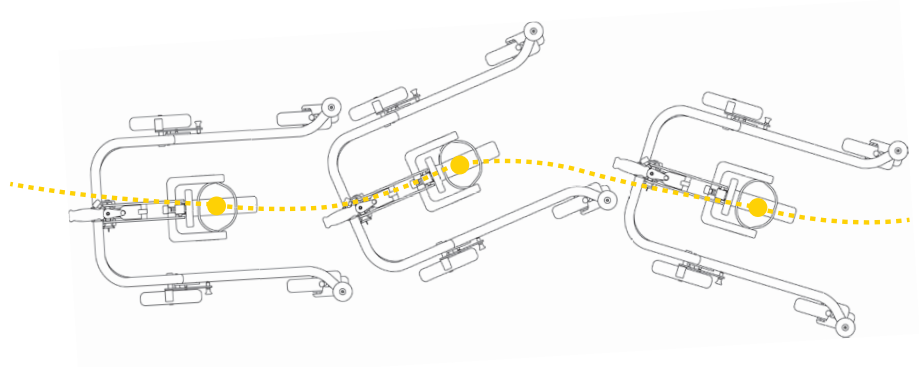
The modular design system allows the walker to grow as your child does, from twelve month old babies, to toddlers, to teenagers.

Ergonomic

The frame has been developed so as to allow easy access through doors and down hallways while still providing excellent stability for exploration both indoors and out.

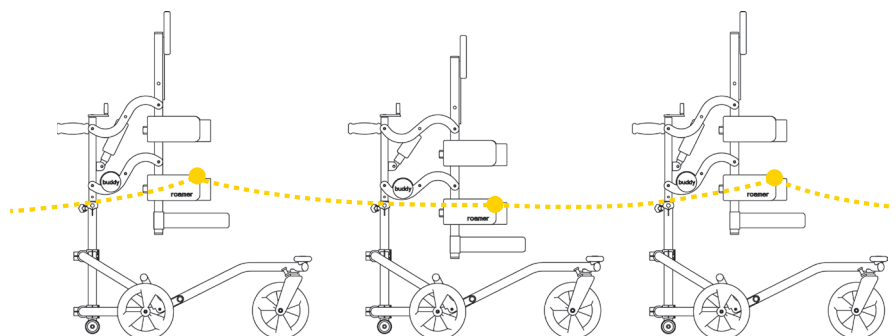
Free Lateral Movement

The centre of Gravity of the Buddy Roamer™ allows for effortless free movement and left-to-right weight shift during stride phase.

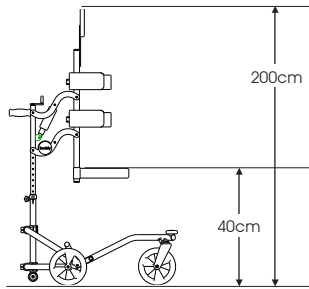
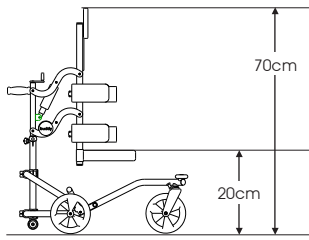


Adjustable Dynamic Spring

Naturally follows the gait pattern and provides spring assisted lift during stride phase. The spring is easily adjustable to suit individual needs.



Height Range Available



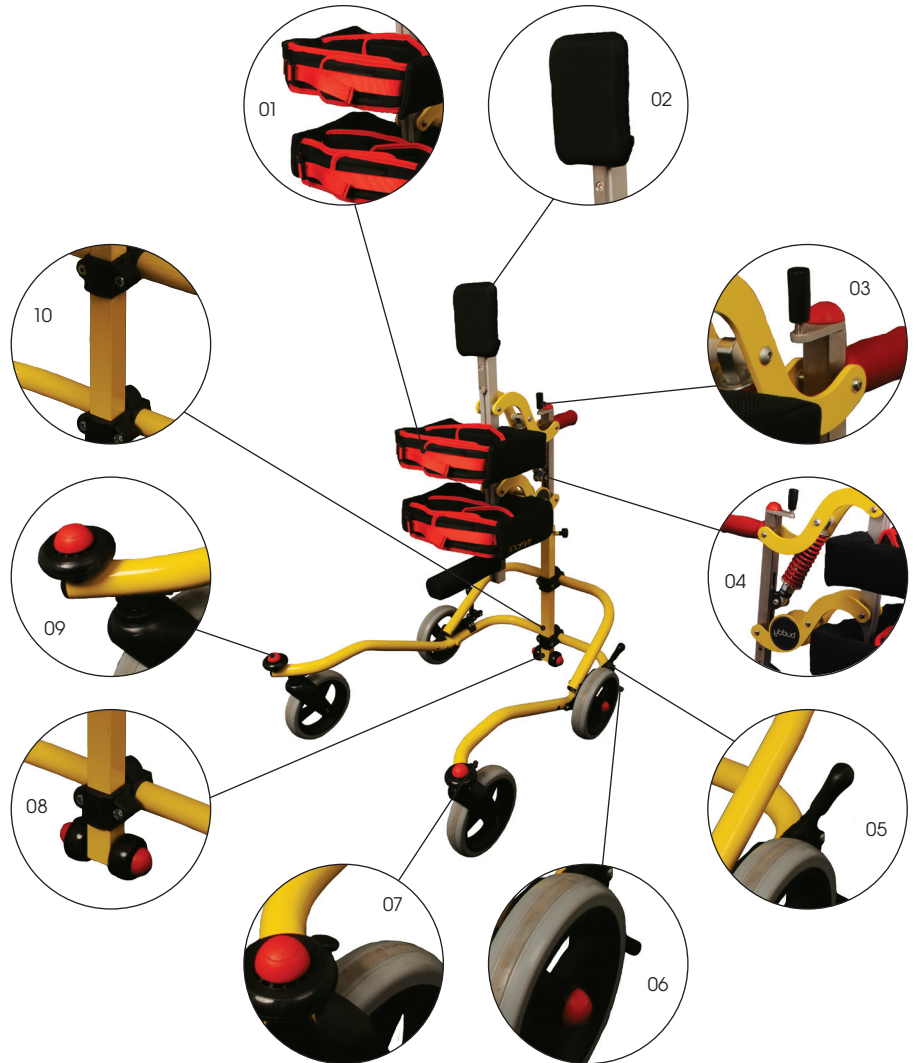
Product Sizing Range

Measurements	Size 1		Size 2		Size 3		Size 4	
	cm	inches	cm	inches	cm	inches	cm	inches
Headrest Height	70 – 130	27 – 51	80 – 140	31 – 55	110 – 200	43 – 78	110 – 200	43 – 78
Inside Leg	20 – 70	8 – 27	30 – 80	12 – 32	40 – 100	16 – 39	40 – 100	16 – 39
Chest Width	15 – 23	6 – 9	21 – 36	8 – 14	25 – 40	10 – 16	30 – 50	12 – 20
Hip Width	15 – 23	6 – 9	21 – 36	8 – 14	25 – 40	10 – 16	30 – 50	12 – 20
Max User weight	50kg	110lbs	50kg	110lbs	100kg	220lbs	100kg	220lbs

For early intervention – custom supports available.

Features of a Buddy Roamer™

01. Adjustable Lateral Supports
02. Telescopic Headrest
03. Fine Height Adjustment
04. Adjustable Dynamic Spring
05. Parking Brake
06. Anti Roll-Back Lock (optional)
07. Directional Lock
08. Anti-Tip Wheels
09. Bumper Wheels
10. Prone Angle Adjustment



buddy
roamer™

