



Vienna Dressing table



Vienna Dressing table



6500 4020 / 6500 4025

Vienna Dressing table hydraulic height adjustable

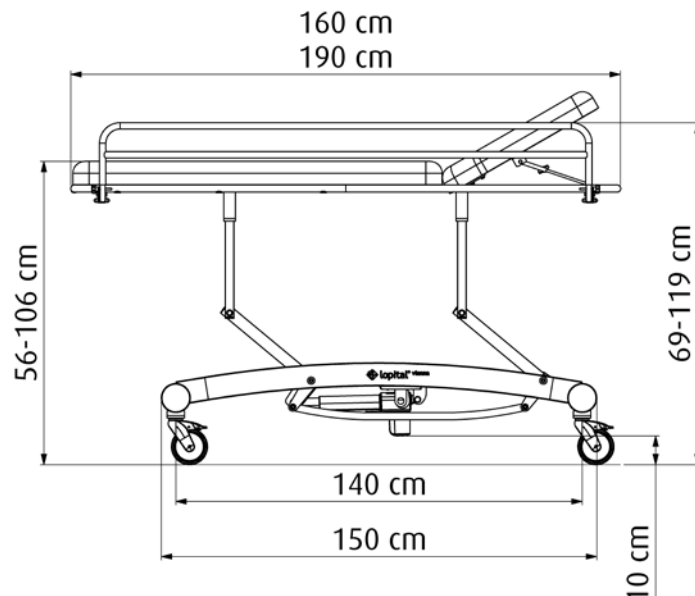
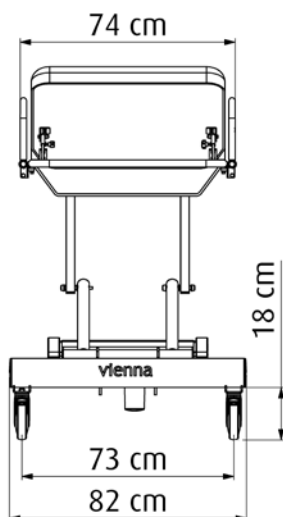
- Synthetic blue leather upholstery.
- 4 stainless steel double braked swivel castors.
- Adjustable backrest.
- Side rails.

Technical specifications 6500 4020

- | | |
|-----------------------|-------------------------------------|
| • Max. load | 150 kg / 330 lbs |
| • Product weight | 56 kg / 124.0 lbs |
| • Length | 160 cm / 63.0 inch |
| • Width | 82 cm / 32.3 inch |
| • Height (adjustable) | 56 to 106 cm /
22.0 to 41.7 inch |

Technical specifications 6500 4025

- | | |
|-----------------------|-----------------------------------|
| • Max. load | 150 kg / 330 lbs |
| • Product weight | 59 kg / 130.1 lbs |
| • Length | 190 cm / 74.8 inch |
| • Width | 82 cm / 32.3 inch |
| • Height (adjustable) | 56 to 106 cm /
22 to 41.7 inch |





Suitable for people with a moderate to very severe disability

6500 4021 / 6500 4026

Vienna Dressing table electric height adjustable

- Synthetic blue leather upholstery.
- 4 stainless steel double braked swivel castor
- Adjustable backrest.
- Side rails.



Technical specifications 6500 4021

- Max. load 150 kg / 330 lbs
- Product weight 60 kg / 132.3 lbs
- Length 160 cm / 63.0 inch
- Width 82 cm / 32.3 inch
- Height (adjustable) 56 to 106 cm / 22 to 41.7 inch
- High / low drive Actuator 24V DC
- Controlbox 24V DC, max. 250W
- Battery 24V, max. 250W
- Charger 230V AC, connection value 100W, wall mounted
- Waterproofness IPX4

Technical specifications 6500 4026

- Max. load 150 kg / 330 lbs
- Product weight 63 kg / 138.9 lbs
- Length 190 cm / 74.8 inch
- Width 82 cm / 32.3 inch
- Height (adjustable) 56 to 106 cm / 22 to 41.7 inch
- High / low drive Actuator 24V DC
- Controlbox 24V DC, max. 250W
- Battery 24V, max. 250W
- Charger 230V AC, connection value 100W, wall mounted
- Waterproofness IPX4



Suitable for people with a moderate to very severe disability

6500 5015 / 6500 5020

Vienna Dressing table electric height adjustable

- Wall mounted.
- Synthetic blue leather upholstery.
- Foldable, gas spring assisted.
- Suitable for bathrooms with a minimum height of 230 cm / 90.6 inch
- Synthetic screen guard.
- Adjustable backrest.
- Side rail.
- **Optional:** extra battery pack.

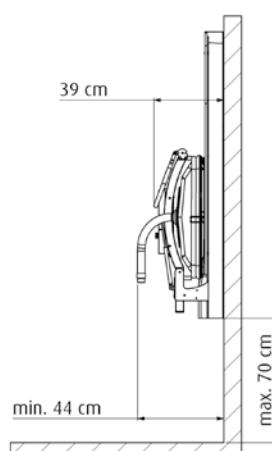
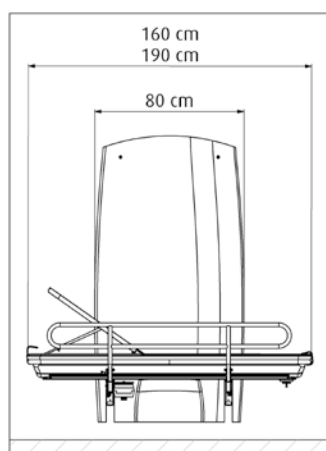


Technical specifications 6500 5015

- | | |
|-----------------------|---|
| • Max. load | 150 kg / 330 lbs |
| • Product weight | 75 kg / 165 lbs |
| • Length | 160 cm / 63.0 inch |
| • Width | 91 cm / 35.8 inch |
| • Height (adjustable) | 49 to 109 cm /
19.3 to 42.9 inch |
| • High / low drive | Actuator 24V DC |
| • Controlbox | 24V DC, max. 250W |
| • Battery | 24V, max. 250W |
| • Charger | 230V AC, connection value
100W, wall mounted |
| • Waterproofness | IPX4 |

Technical specifications 6500 5020

- | | |
|-----------------------|---|
| • Max. load | 150 kg / 330 lbs |
| • Product weight | 78 kg / 172 lbs |
| • Length | 190 cm / 74.8 inch |
| • Width | 91 cm / 35.8 inch |
| • Height (adjustable) | 49 to 109 cm /
19.3 to 42.9 inch |
| • High / low drive | Actuator 24V DC |
| • Controlbox | 24V DC, max. 250W |
| • Battery | 24V, max. 250W |
| • Charger | 230V AC, connection value
100W, wall mounted |
| • Waterproofness | IPX4 |



For more information, visit our website: www.lopital.com

Lopital Nederland B.V., Laarakkerweg 9, 5061 JR Oosterwijk, Postbus 56, 5060 AB Oosterwijk
 Tel +31 (0)13 5239300, Fax +31 (0)13 5239301, E-mail info@lopital.nl, www.lopital.nl

