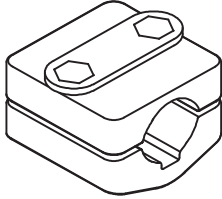
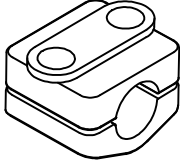
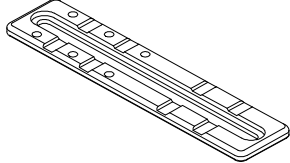


Dynamic Arm Support

Mounting Hardware Instructions

ART NOS.: AS118, AS119, AS120

		
AS118	AS119	AS120
Armrest Mounting Clamp	Armrest Mounting Clamp	Armrest Mounting Plate
Compatible with Ø22/25mm [7/8"/1"] Round Armrest Tubing	Compatible with Ø19mm [3/4"] Round Armrest Tubing	Compatible with Flat Armrests

⚠WARNING! This product should be installed and fitted by a qualified rehab technician.

⚠WARNING! When mounting, check that the Arm Support is securely locked into the Quick-Release Adapter Plate. The installer should hear an audible "click" sound.

⚠WARNING! If a serious incident occurs related to the use of this product, it should be reported to the manufacturer (Bodypoint, Inc.) and the local Competent Authority.

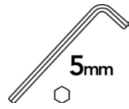
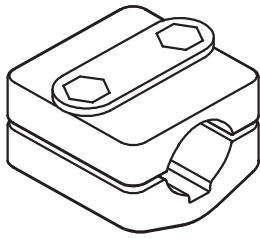
PERIODIC SAFETY AND PERFORMANCE CHECKS:

To ensure user safety, this product must be checked periodically for function and signs of wear. If the product does not function correctly or if significant wear is found in the parts, stop using it and contact your supplier for qualified repair or replacement by Bodypoint®. Under no circumstance should this product be altered or repaired by unqualified persons.

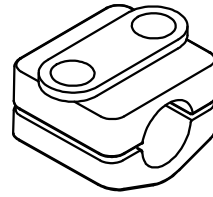
WARRANTY:

This product carries a limited lifetime warranty against defects in workmanship and materials arising under normal use by the original consumer. Contact your supplier or Bodypoint® for warranty claims.

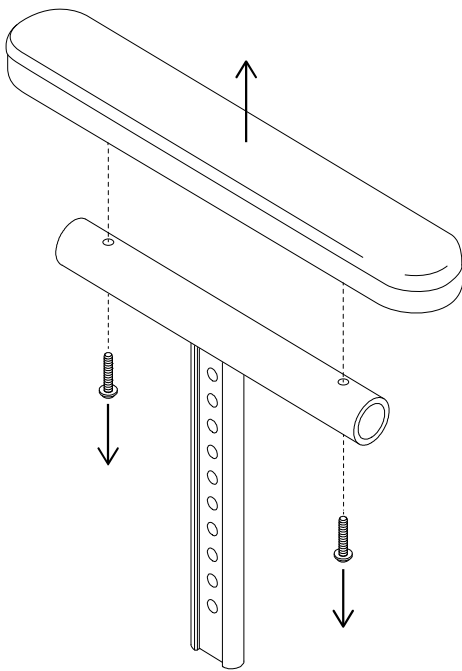
AS118



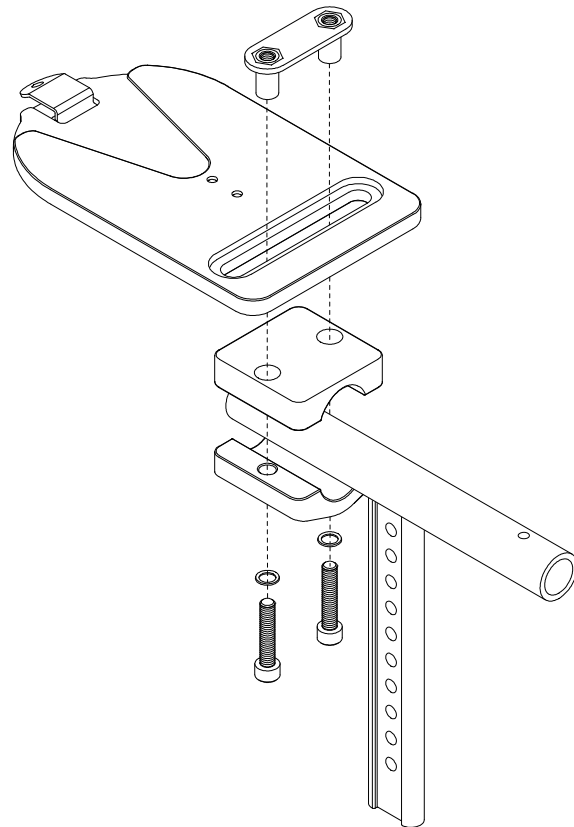
AS119



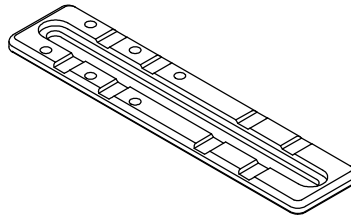
1



2

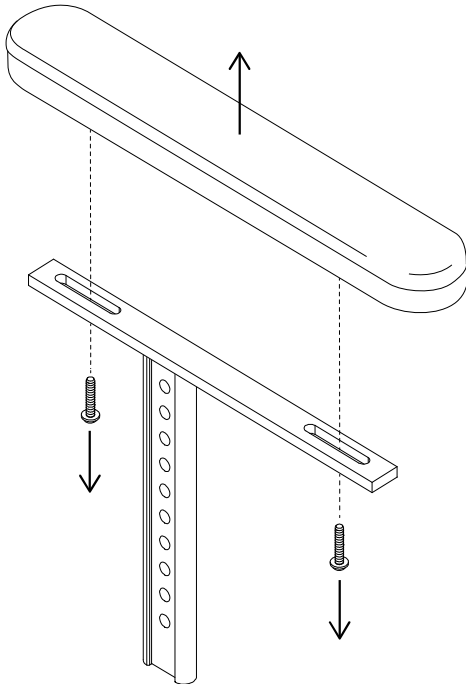


AS120

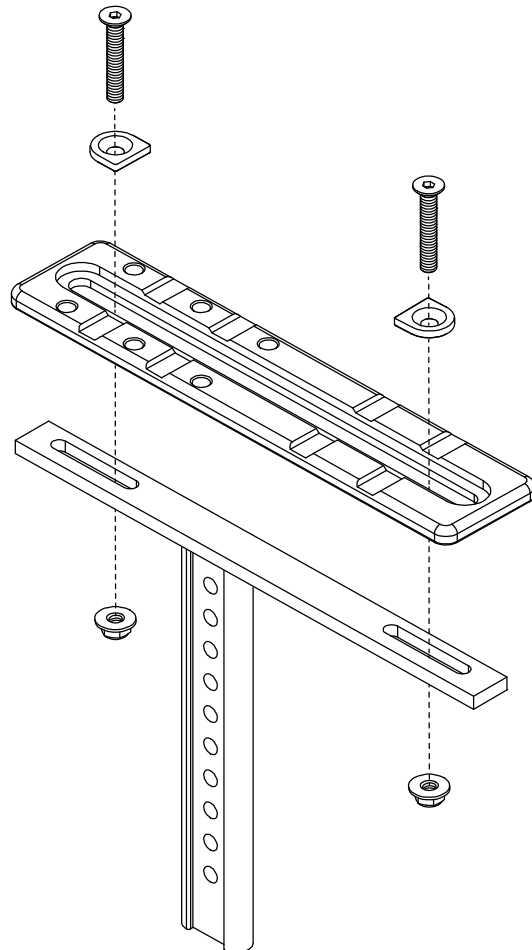


 M6x20mm	 M6	 M6x35mm	 M5x35mm
		 M6	 M5
	 X4	 M6	 M5
 10mm 8mm		 4mm 3mm	

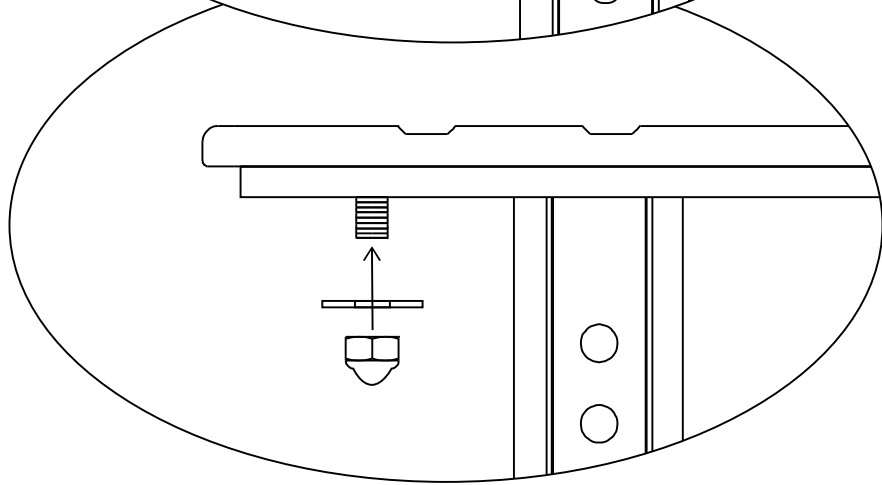
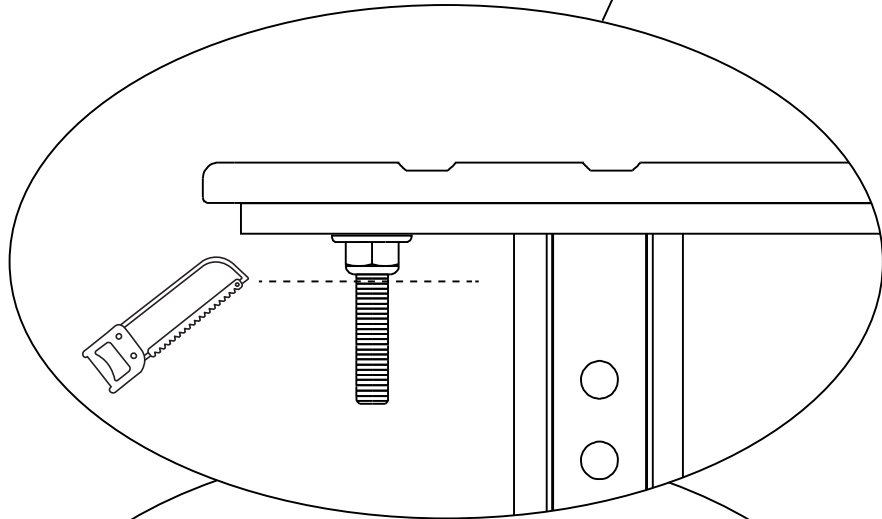
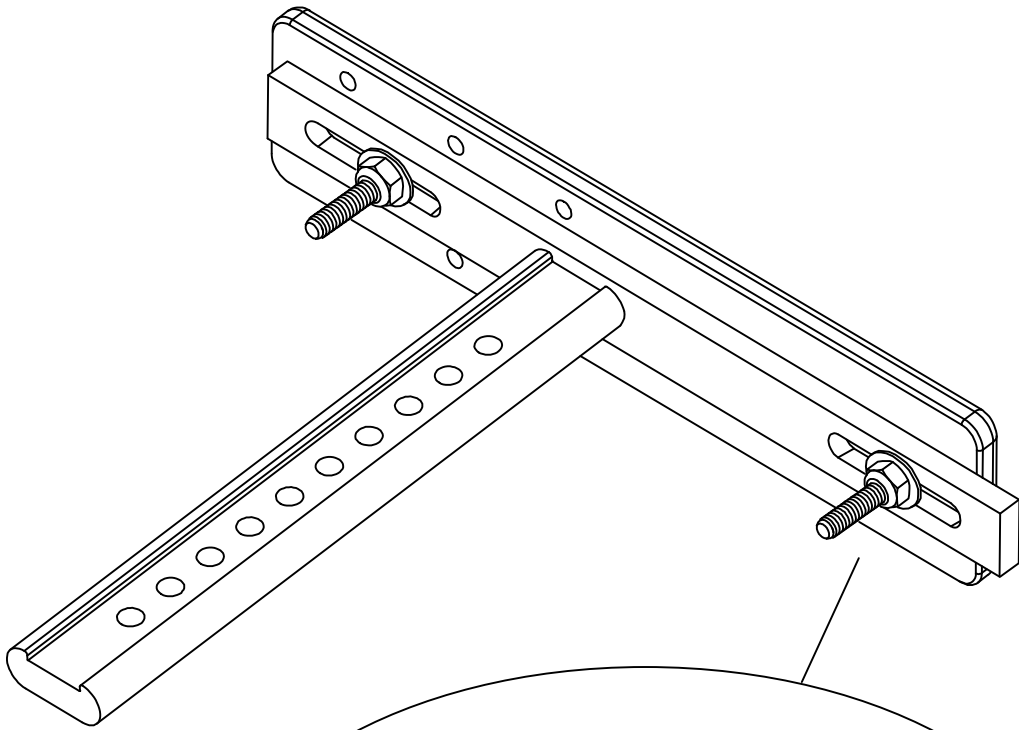
1



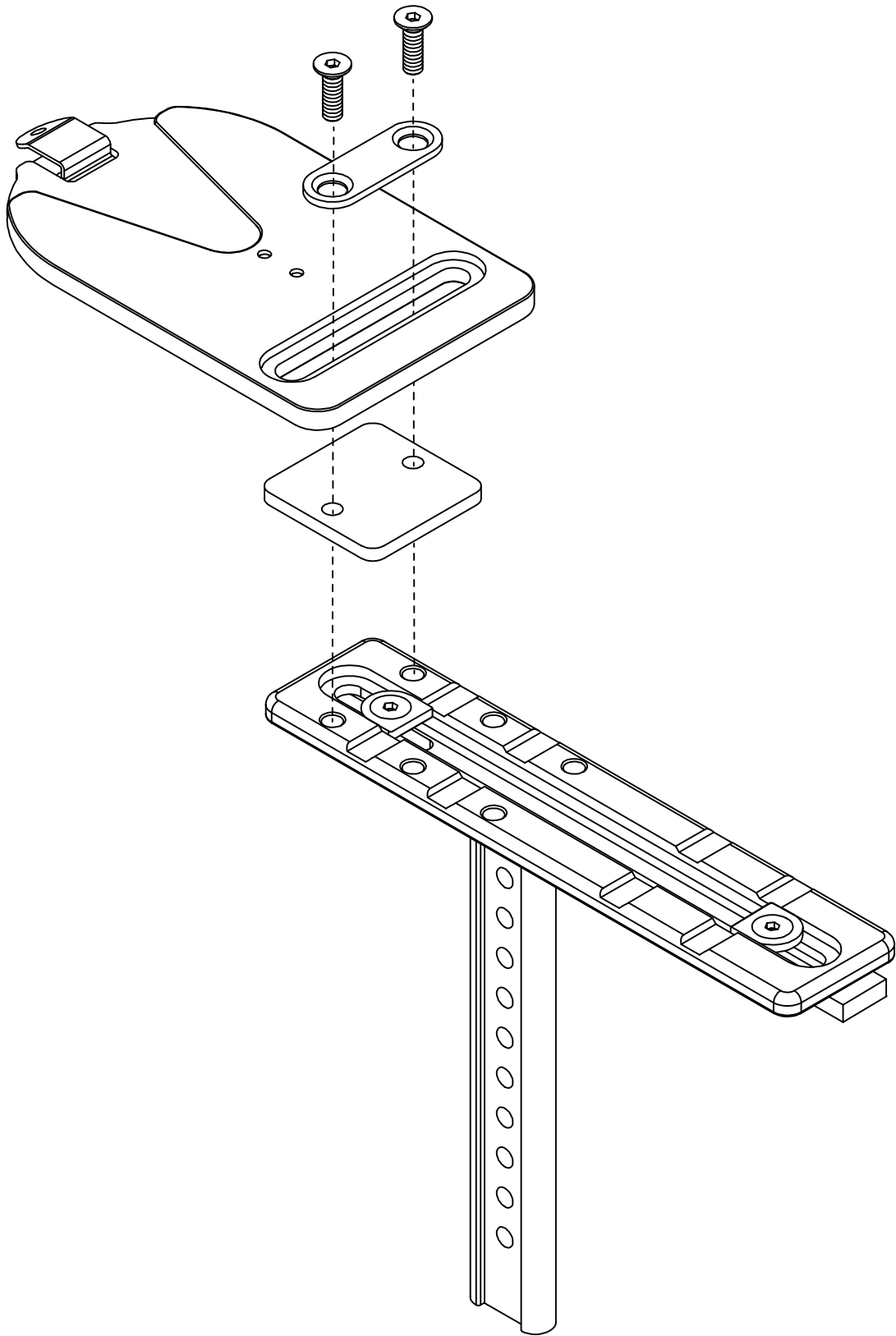
2

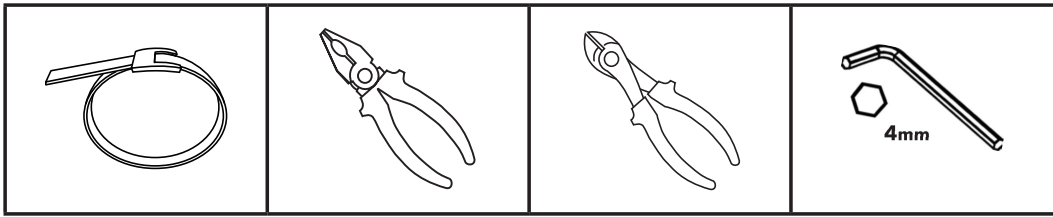


3

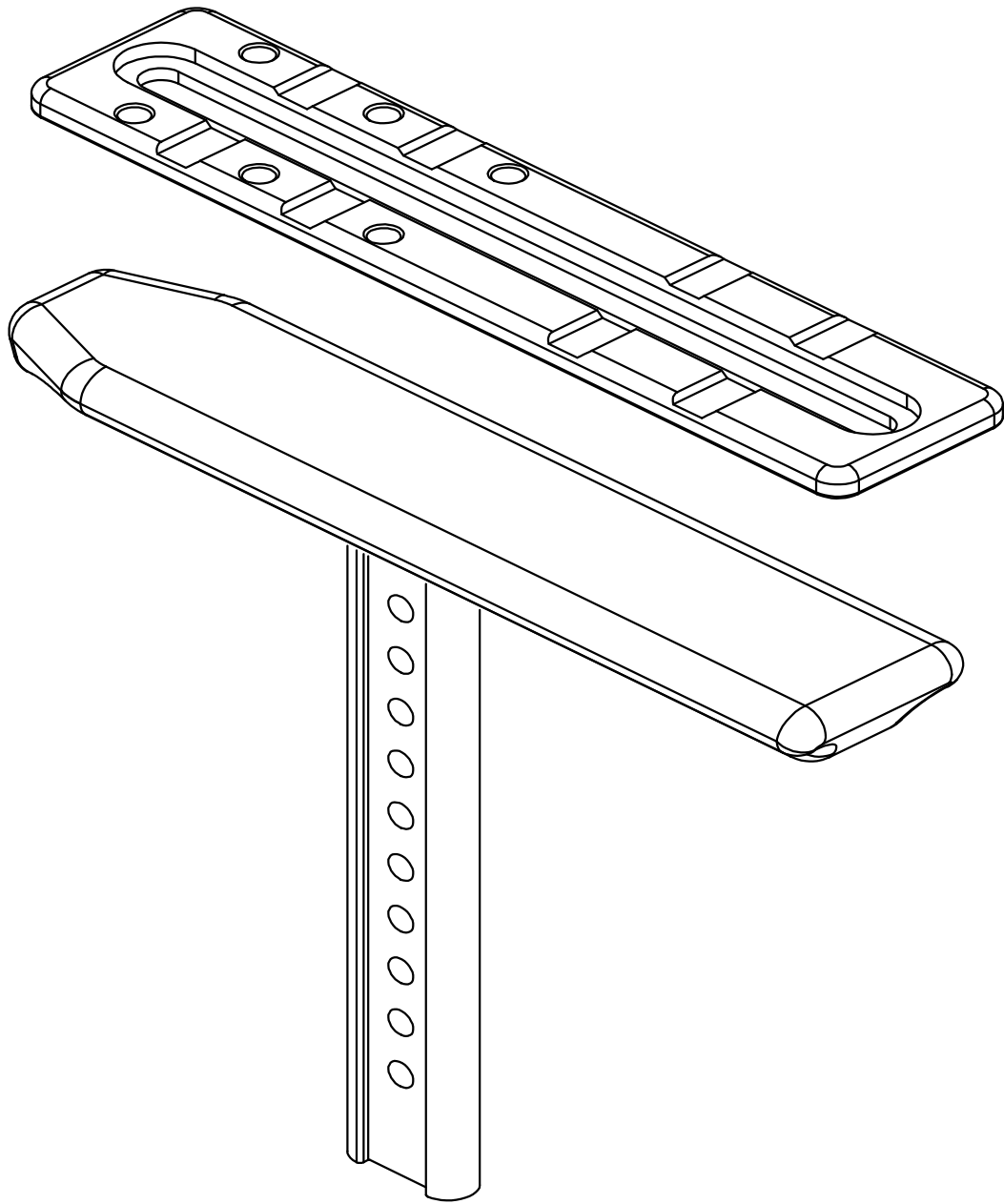


4

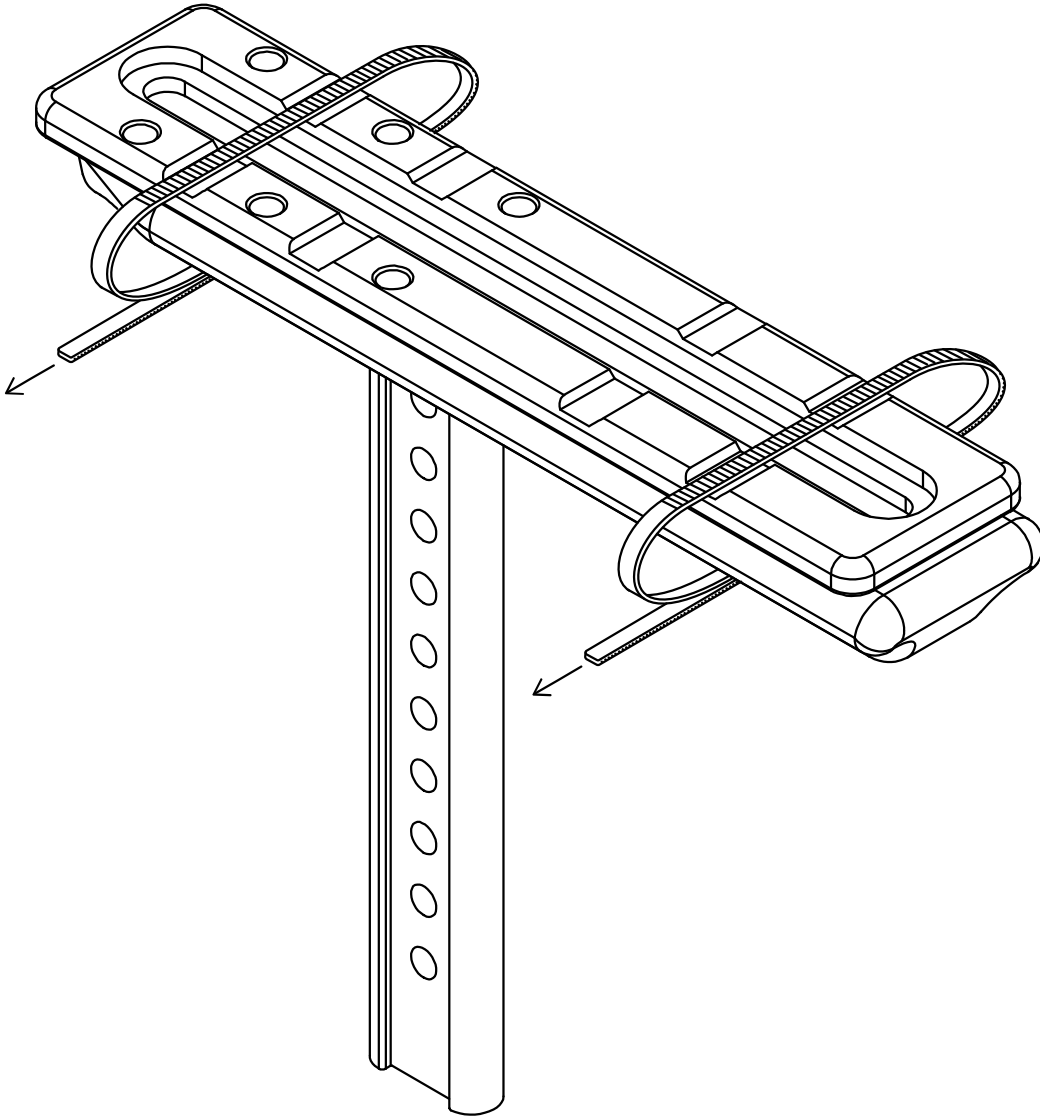




1



2



3

