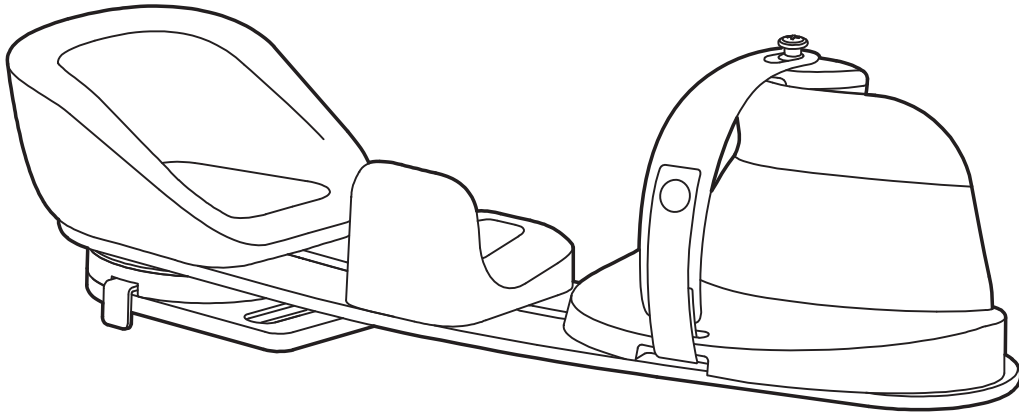


# Dynamic Arm Support

ART NOS.: AS201L, AS201R, AS202L, AS202R, AS200L, AS200R

## INSTALLATION AND USER'S INSTRUCTIONS

These instructions provide important information for the safe use and maintenance of Bodypoint® Arm Supports. Give these instructions to the user or their caregiver.



### INTENDED USE:

The Dynamic Arm Support is a dynamic, mobile support for the elbow, forearm, and hand that attaches to a manual or power wheelchair. It provides upper extremity support, functional dynamic range of motion at the shoulder, and an innovative, flexible hand support that promotes hand function and helps to minimize flexor tone and contractures.

This product includes modular components that can be adjusted for a customized orthotic fit. A pivot mechanism allows users to exercise the shoulder in a functional, dynamic range of motion. The flexible hand support helps to position the wrist, hand and fingers in neutral alignment and minimize flexor tone and contractures.

This product is designed to be mounted on a variety of wheelchair models with height adjustable armrests and can be easily removed for transfers by utilizing the quick-release function. To ensure the best clinical outcome, users should consult with a qualified healthcare professional before using the product.

**⚠WARNING!** This product should be installed and fitted by a qualified rehab technician.

**⚠WARNING!** This product should only be used for positioning a person's arms in a wheelchair. The misuse of this product is unauthorized and unsafe.

**⚠WARNING!** The user's arm must be positioned properly in the Arm Support. A poorly adjusted Arm Support could allow the user's arm to slip out and dislocate the shoulder or worsen hand flexor tone. Have your therapist or technician demonstrate its proper adjustment and use.

**⚠WARNING!** If the user's physical or cognitive abilities prevent them from safely operating this product, a caregiver must be always present during its use. Ensure that all caregivers know how to correctly operate the product.

**⚠WARNING!** This product may change the way a person sits. Continue to practice regular pressure relief activities and skin integrity checks. If increased skin redness or irritation occurs, discontinue use and consult your qualified healthcare professional.

**⚠WARNING!** Always monitor the user when the Pivot Plate is unlocked to rotate. The Pivot Plate should always be locked when driving the wheelchair or transporting it in a vehicle to prevent damage or injury that could result from striking doorways or other obstacles near the side of the chair.

**⚠WARNING!** When mounting, check that the Arm Support is securely locked into the Quick-Release Adapter Plate. The installer should hear an audible "click" sound.

**⚠WARNING!** If a serious incident occurs related to the use of this product, it should be reported to the manufacturer (Bodypoint, Inc.) and the local Competent Authority.

**⚠WARNING!** It is safest to transfer out of your wheelchair and into a manufacturer-installed vehicle seat, and use the vehicle's crash-tested occupant restraint system. Failure to use the appropriate equipment for restraint in a vehicle can result in serious injury or death.

#### PERIODIC SAFETY AND PERFORMANCE CHECKS:

To ensure user safety, this product must be checked periodically for function and signs of wear. If the product does not function correctly or if significant wear is found in the parts, stop using it and contact your supplier for qualified repair or replacement by Bodypoint®. Under no circumstance should this product be altered or repaired by unqualified persons.

#### CLEANING:

This product can be cleaned by wiping with disinfectant or a cloth soaked in warm water and soap. Dry with a towel or air dry. A mild disinfectant can be applied to the surface. For cleaning the Hand Strap, machine wash, hot, 60°C (140°F). Do not bleach. Tumble dry, low temperature, or drip dry. Do not iron.



#### SCRAP/DISPOSAL:

This product is made of materials which can be disposed of safely without special precautions at the end of its useful life.

#### WARRANTY:

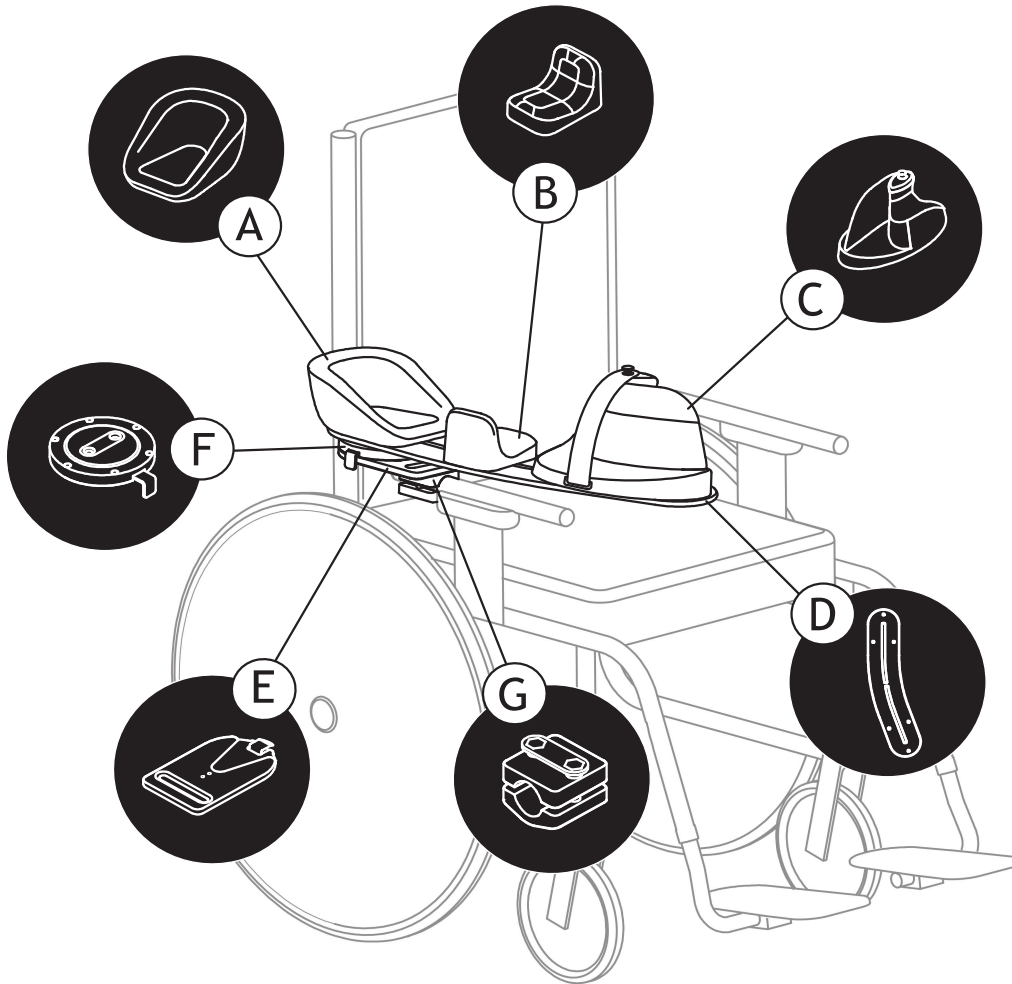
This product carries a limited lifetime warranty against defects in workmanship and materials arising under normal use by the original consumer. Contact your supplier or Bodypoint® for warranty claims.

### TOOLS REQUIRED

4mm Hex Key	3mm Hex Key For Optional Fine-Tuning the Quick-Release Latch
	

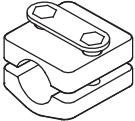
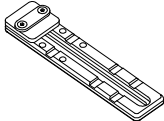
## PACKAGE CONTENTS

A	B	C	D	E	F
Elbow Pad	Forearm Pad	Hand Block and Strap	Base Board	Quick-Release Adapter Plate	Pivot Plate

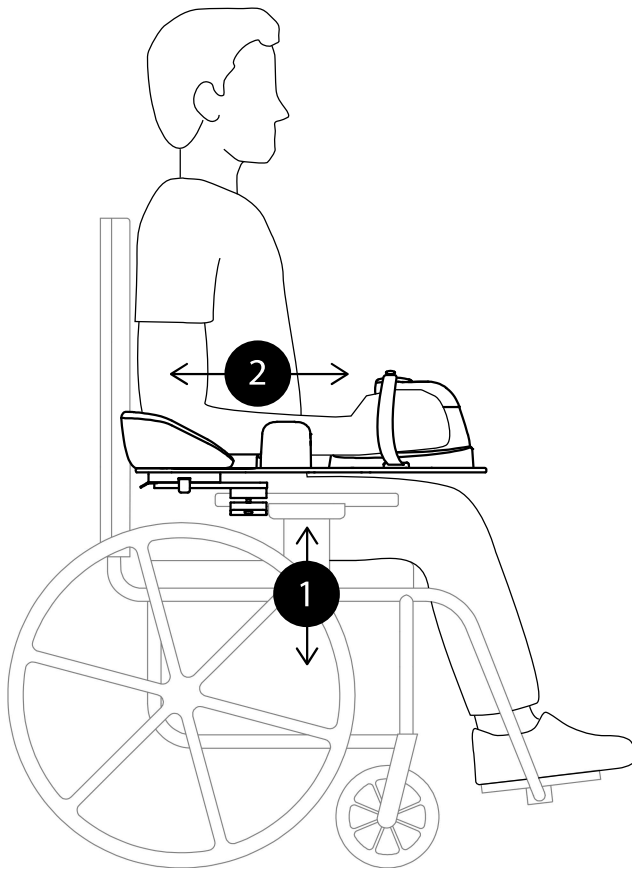


## MOUNTING HARDWARE

OPTIONAL CLAMP OR PLATE SOLD SEPARATELY  
ARMREST MOUNTING CLAMP SHOWN ABOVE

G	H
<b>Armrest Mounting Clamps</b> Compatible with $\varnothing 19\text{mm}$ [3/4"] or $\varnothing 22/25\text{mm}$ [7/8"/1"] Round Armrest Tubing	<b>Armrest Mounting Plate</b> Compatible with Flat Armrests
	

## POSITIONING THE ARM SUPPORT FOR THE USER



### 1. Height

The use of a height-adjustable armrest is recommended for optimal positioning.

Adjust the height of the armrest to support the elbow for even pressure distribution of the arm without lifting the shoulder.

### 2. Depth

To adjust the Arm Support forwards or backwards, loosen the screws located on the armrest mounting hardware.

Slide the Arm Support forwards or backwards on the armrest into the correct position.

For more information see:  
"ADDITIONAL FINE TUNING OF THE PIVOT PLATE: **ADDITIONAL DEPTH ADJUSTMENTS.**"

### 3. Lateral

To adjust the Arm Support closer or further away from the user, loosen the screws that attach the Quick-Release Adapter Plate to the armrest mounting hardware.

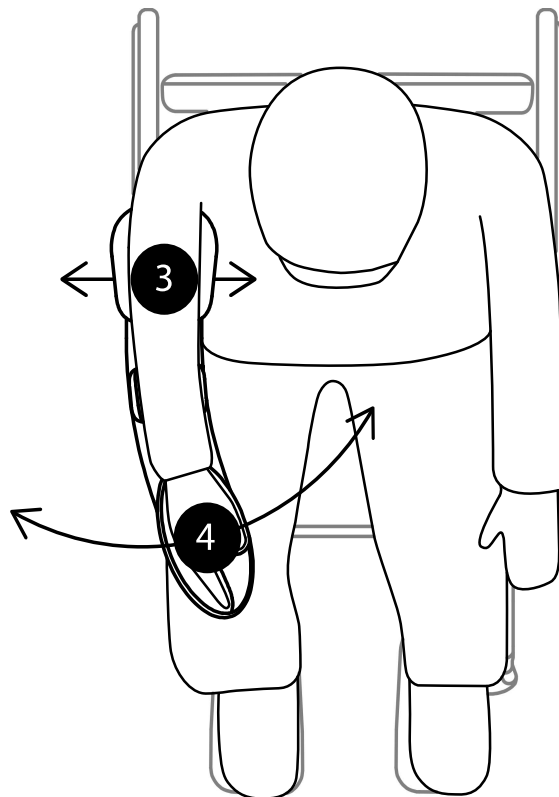
Slide the Arm Support inwards or outwards and securely re-tighten both screws.

### 4. Angle

The Pivot Plate allows a 60° range of internal to external rotation. To choose the angle of the Arm Support, pull out the Pivot Plate Tab and position the Arm Support.

Push the Pivot Plate Tab in to lock at the desired angle in 5° increments.

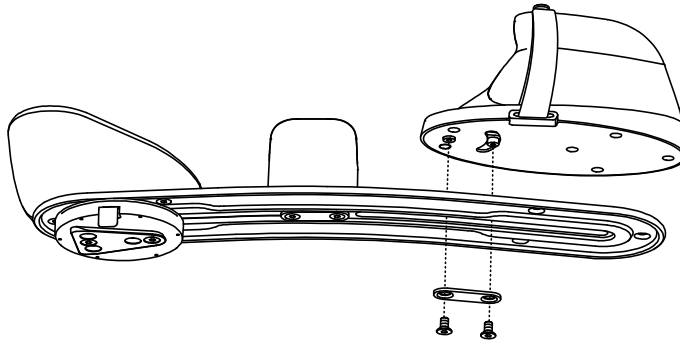
For more information see:  
"ADDITIONAL FINE TUNING OF THE PIVOT PLATE: **ADDITIONAL INTERNAL AND EXTERNAL ROTATION LIMITS.**"



## INSTALLING THE ARM SUPPORT

Prior to installation, remove the Quick-Release Receiver from the Arm Support. For more information see: *"USING THE QUICK-RELEASE ADAPTER PLATE."*

1. Mount the Quick-Release Receiver to the wheelchair armrest using optional armrest mounting hardware. Partially tighten the mounting screws to allow for adjustment. See instructions included with optional mounting hardware for details.

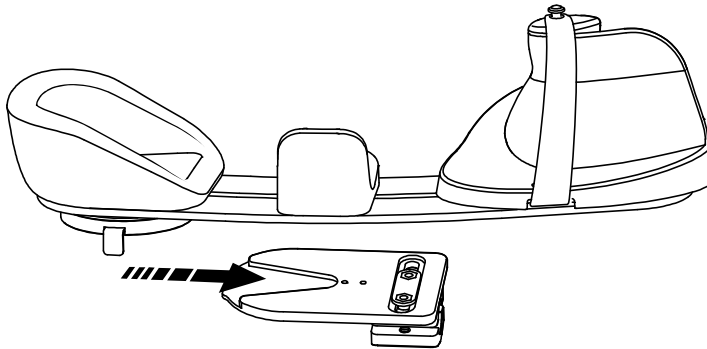


2. Mount the Hand Block to the Base Board using the Washer Plate and the included M6 screws (2).

Note: Do not fully tighten the screws until the final adjustments have been made to fit the user.

3. Slide the Arm Support into the Quick-Release Adapter Plate—the Quick-Release Latch should lock with an audible "click!"

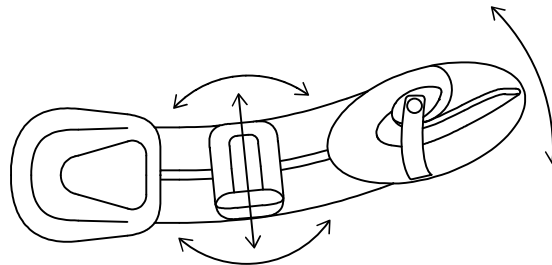
Note: The Quick-Release Latch can be adjusted to remove any play by loosening the M5 screws (2) on the bottom using a 3mm hex key. Push the Quick-Release Latch tightly against the back edge of the Quick-Release Wedge while retightening the screws to secure it in place.



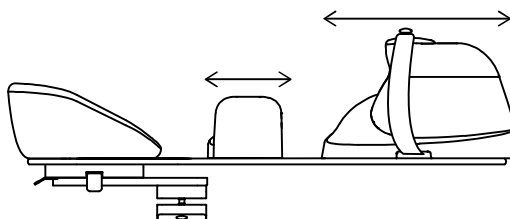
## ADJUSTING THE FOREARM PAD AND HAND BLOCK

Begin by positioning the user's elbow in the Elbow Pad.

To adjust the Hand Block, loosen the M6 screws (2) and slide the Hand Block along the Base Board to prevent shifting of the user's forearm. Tighten the rear screw until it is snug, then adjust the angle of the Hand Block 0-30° to properly position the hand and wrist. Fully tighten both screws to secure the Hand Block in place.



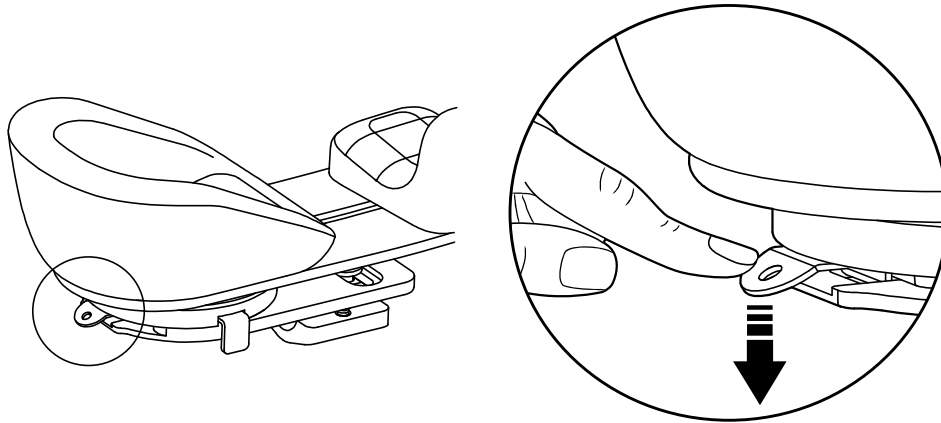
To adjust the Forearm Pad loosen the M6 screws (2) and slide the Forearm Pad along the Base Board to cradle the user's arm behind the wrist. It can be adjusted in or out, rotated, or reinstalled in the opposite direction to support or limit arm movement. Re-tighten the screws.



## USING THE QUICK-RELEASE ADAPTER PLATE

Press down on the Quick-Release Latch to unlock for removal.

To reinstall, slide the Arm Support into the Quick-Release Receiver until it engages with an audible "click!"

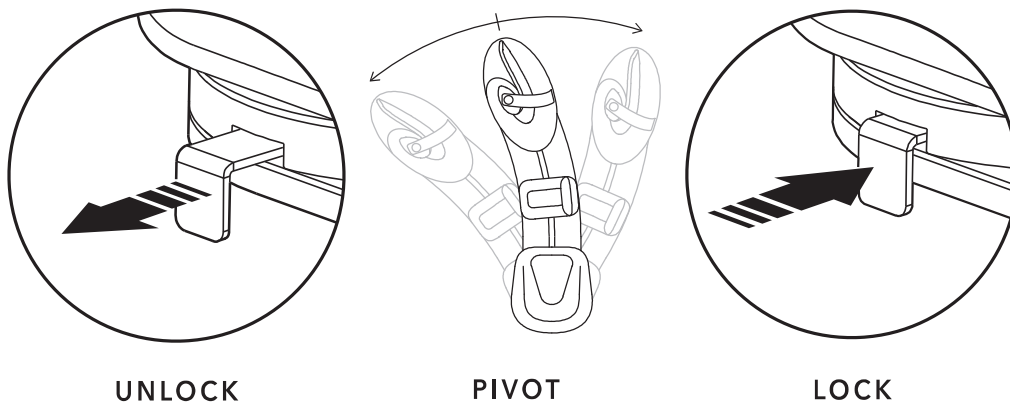


## LOCKING/UNLOCKING THE PIVOT PLATE

The Arm Support can be unlocked to allow for dynamic movement or locked to maintain a fixed arm position.

To unlock, pull out the Pivot Plate Tab. The Arm Support can now rotate freely through a 60° internal-to-external range.

To lock, push in Pivot Plate Tab. The Arm Support can be locked in 5° increments.



UNLOCK

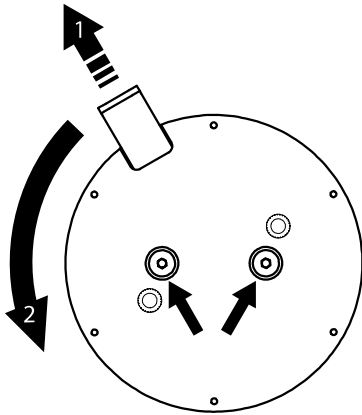
PIVOT

LOCK

**⚠WARNING!** Always monitor the user when the Pivot Plate is unlocked to rotate. The Pivot Plate should always be locked when driving the wheelchair or transporting it in a vehicle to prevent damage or injury that could result from striking doorways or other obstacles near the side of the chair.

## ADDITIONAL FINE TUNING OF THE PIVOT PLATE

### ADDITIONAL DEPTH ADJUSTMENTS



Additional adjustments can be made by repositioning the Pivot Plate up to 20mm forward on the Base Board.

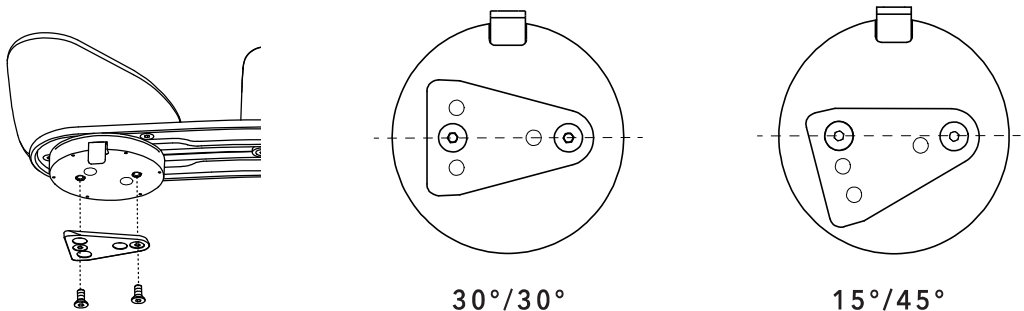
To access the mounting screws, remove the Quick-Release Wedge and pull out the Pivot Plate Tab to unlock and rotate it until the M6 mounting screws are visible through the two access holes.

Loosen both screws to slide the Pivot Plate forward, then fully re-tighten both screws and reattach the Quick-Release Wedge.

### ADDITIONAL INTERNAL AND EXTERNAL ROTATION LIMITS

The standard setting of the Pivot Plate allows for 30° internal/30° external rotation from the neutral position (aligned with the armrest of the chair). This provides the same function whether installed on the right or left hand side.

Some users are capable of a greater range of internal arm rotation, which can be accommodated by repositioning the Quick-Release Wedge on the bottom of the Pivot Plate to allow 45° internal/15° external rotation.



## SAFETY AND PERFORMANCE CHECKS

User must be seated in wheelchair before performing safety check.

### 1. NORMAL OPERATION

Check for any pinch-points or loose parts.

### 2. COMFORT

Look for areas of irritation.

### 3. POSITION

Confirm correct position of user's upper body and shoulders.

### 4. ADDITIONAL

Move the chair through full range of motion, including tilt, folding, and rolling, and check for any interference and adjust the Arm Support if necessary.

