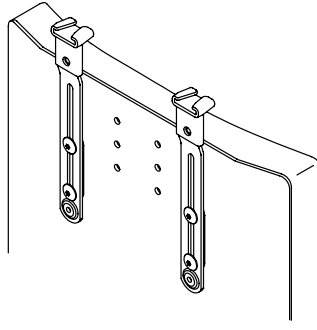


Shoulder Harness Strap Guides

INSTALLATION AND USER'S INSTRUCTIONS

ART NOS. HW100-150, HW100-200, HW105S, HW105L



These instructions provide important information for the safe use and maintenance of all Bodypoint Shoulder Harness Strap Guides. Give these instructions to the user or their caregiver and review them to ensure that they are understood.

⚠ WARNING! Product should be installed and fitted by a qualified rehab technician.

This product is intended for mounting positioning harnesses. It is NOT intended for use as a transportation safety device.

⚠ WARNING! This product should only be used for positioning a person in a wheelchair or work chair. It is NOT intended for use as a transportation safety device, as a personal restraint device, or in any other application where its failure could

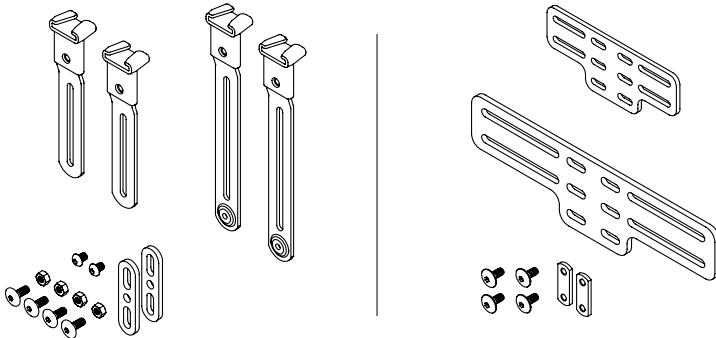
result in injury. Misuse of this product is unauthorized and unsafe.

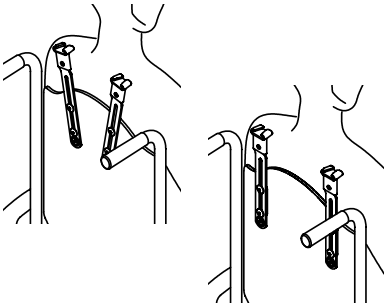
⚠ WARNING! This product carries a limited lifetime warranty against defects in workmanship and materials arising under normal use by the original consumer. Contact your supplier or Bodypoint for warranty claims.

PACKAGE CONTENTS

Package may contain one or more of the following:

- Strap Guides, 150mm or 200mm long, with fasteners
- Mounting Adapter, Small (185mm) or Large (270mm wide), with fasteners





INSTALLATION REQUIREMENTS

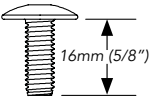
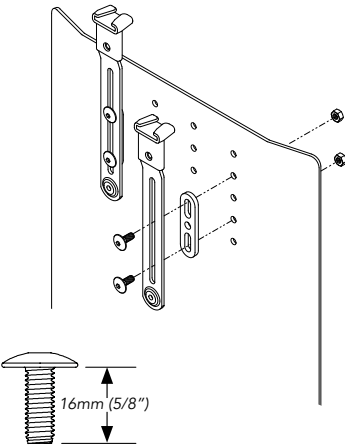
Wheelchair with a solid backrest of metal or plastic, up to 4mm (5/32") thick. Thicker backrests will require longer mounting screws with a minimum pullout strength of 90kg (200lbs) (Not included in package).

POSITIONING

Seat user in wheelchair and establish correct posture with pelvic support belt. Position strap guides between neck and shoulder joint, approximately at shoulder height (adjust up/down for pressure distribution) Determine best strap guide orientation based on the user's needs.

INSTALLATION

Strap Guide only



5/32" (4mm)

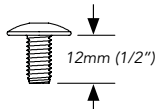
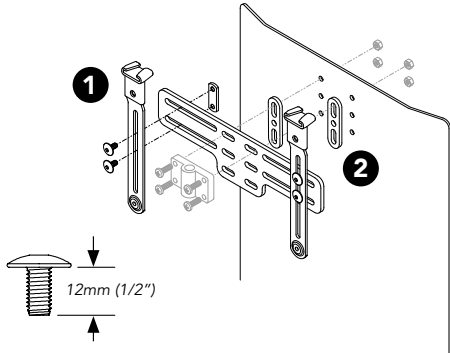


13 NM MAX
(115 lbf-in)

INSTALLATION

with Mounting Adapter

1. Attach strap guides to mounting adapter using 12mm (1/2") screws and nut plates.
2. Attach mounting adapter to the seat back using the headrest receiver and its screws, or other appropriate mounting hardware. (Not included in package)

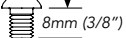
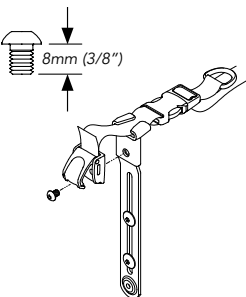


5/32" (4mm)

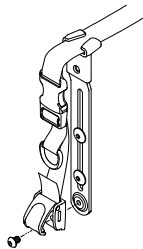


13 NM MAX
(115 lbf-in)

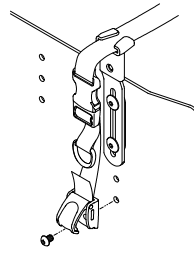
ATTACH SHOULDER HARNESS



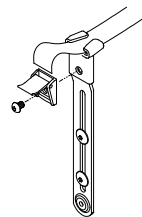
Front-Pull



Rear-Pull



Rear-Pull with 150mm
Strap Guide



Cam Buckle