



Quotes@RehabMart.com

1-800-827-8283

3651 Mars Hill Rd, Bldg 2400

Watkinsville, GA 30677-6042

USA

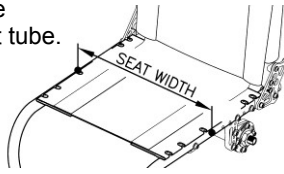
CHAIR INFORMATION	
BC Skate Chair(5 YEAR WARRANTY)	
Max. Capacity 250Lbs	
NOTE	

A FRAME COLORS & PARTS COLORS

MAIN FRAME COLORS	
Powder-Coated <input type="checkbox"/> Gloss Black <input type="checkbox"/> Twilight Flake <input type="checkbox"/> Yellow <input type="checkbox"/> Magenta <input type="checkbox"/> Fire Engine Red <input type="checkbox"/> White <input type="checkbox"/> Neon Yellow* <input type="checkbox"/> Candy Blue <input type="checkbox"/> Candy Purple <input type="checkbox"/> Candy Green <input type="checkbox"/> Candy Red <input type="checkbox"/> Candy Raspberry <input type="checkbox"/> Cobalt Blue <input type="checkbox"/> Brass Metallic <input type="checkbox"/> Matte Gray <input type="checkbox"/> Matte Purple <input type="checkbox"/> Matte Blue <input type="checkbox"/> Matte Green <input type="checkbox"/> Matte Black <input type="checkbox"/> Matte Red <input type="checkbox"/> Tiffany Blue <input type="checkbox"/> Neon Red* <input type="checkbox"/> Neon Green* <input type="checkbox"/> Orange Sparkle <input type="checkbox"/> Mellon Yellow <input type="checkbox"/> Gun Smoke Silver <input type="checkbox"/> Shocker Yellow <input type="checkbox"/> Sparkle Burgundy <input type="checkbox"/> Granny Sparkle Green <input type="checkbox"/> Sparkle Sky Blue <input type="checkbox"/> Reed Green <input type="checkbox"/> Blue Lilac	
Special Colors <input type="checkbox"/> Polished <input type="checkbox"/> 24 karat Gold	
PARTS COLORS (Custom Parts Color Section, Please see Section B)	
STD Color Black Color	
<input type="checkbox"/> NO LOGOS ON ENTIRE CHAIR	
Custom Color Suspension Unit One Color Package Including: Axle Plates, Camber Discs, Upper A-Arms, Lower A-Arms, Suspension Main Frame★marked parts	<input type="checkbox"/> Powder-Coated () <input type="checkbox"/> Polished <input type="checkbox"/> 24 karat Gold Plated:
<p>*Frame style may vary depending on Measurements</p>	

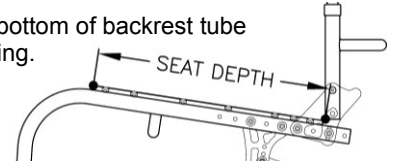
1. SEAT WIDTH

Measure from outside of seat tube to the outside of the opposite seat tube.



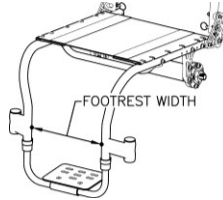
2. SEAT DEPTH

Measure from at the front bottom of backrest tube to the front edge of seat sling.



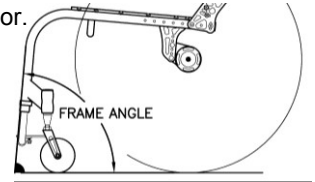
3. FOOTREST WIDTH

Measure from inside of front frame tube to inside of opposite front frame tube.



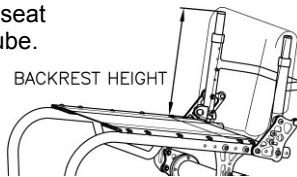
4. FRAME ANGLE

Measure angle frame front to floor.



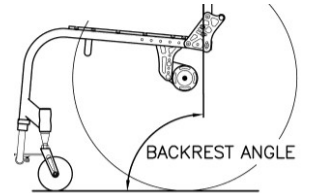
5. BACKREST HEIGHT

Measure from top of back post to seat sling at front bottom of backrest tube.



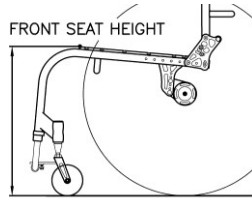
6. BACKREST ANGLE

Measure angle from front of back post to floor.



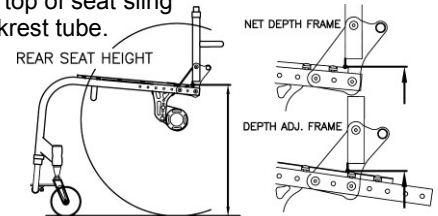
7. FRONT SEAT HEIGHT

Measure from floor to top of seat sling at front edge.



8. REAR SEAT HEIGHT

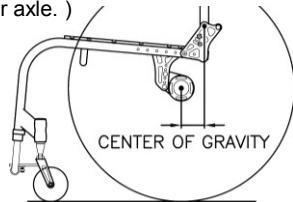
Measure from floor to top of seat sling at front bottom of backrest tube.



9. CENTER OF GRAVITY

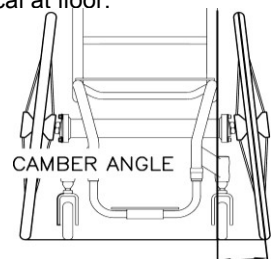
Measure from center of back tube at the folding pivot to the center of the rear axle.

(If welding backrest is selected, Measure from center of back tube at the seat tube to the center of the rear axle.)



10. CAMBER ANGLE

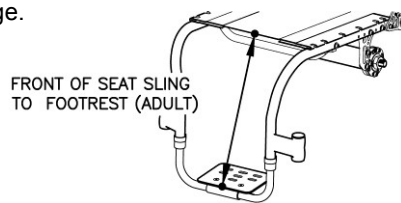
Measure angle from wheel to vertical at floor.



11. FRONT OF SEAT SLING TO FOOTREST

ADULT CHAIR

Measure from top of seat sling at front edge to top of foot plate at front edge.



PEDIATRIC CHAIR

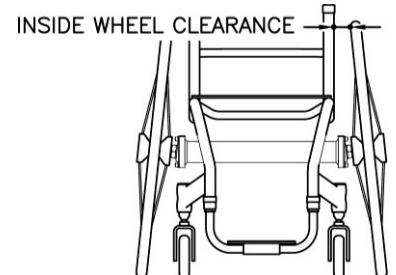
Measure vertical from top of seat sling at front edge to top of foot plate.



12. INSIDE WHEEL CLEARANCE

Measure from outside of seat back tube to inside of rear tire.

(If side guards are selected, measure from outside of side guards to inside of rear tire.)



B SPECIAL PARTS COLORS (Please allow an additional 1-2 weeks delivery)

PARTS COLORS

Powder-Coated	Gloss Black	Twilight Flake	Yellow	Magenta	Fire Engine Red	White
Neon Yellow	Candy Blue	Candy Purple	Candy Green	Candy Red	Candy Raspberry	Cobalt Blue
Brass Metallic	Matte Gray	Matte Purple	Matte Blue	Matte Green	Matte Black	Matte Red
Sparkle Burgundy	Neon Red	Neon Green	Orange Sparkle	Mellon Yellow	Gun Smoke Silver	
Tiffany Blue	Shocker Yellow	Granny Sparkle Green	Sparkle Sky Blue	Reed Green	Blue Lilac	

Special Colors Polished Aluminum
 24 karat Gold Plated *Please allow an additional 4 weeks delivery

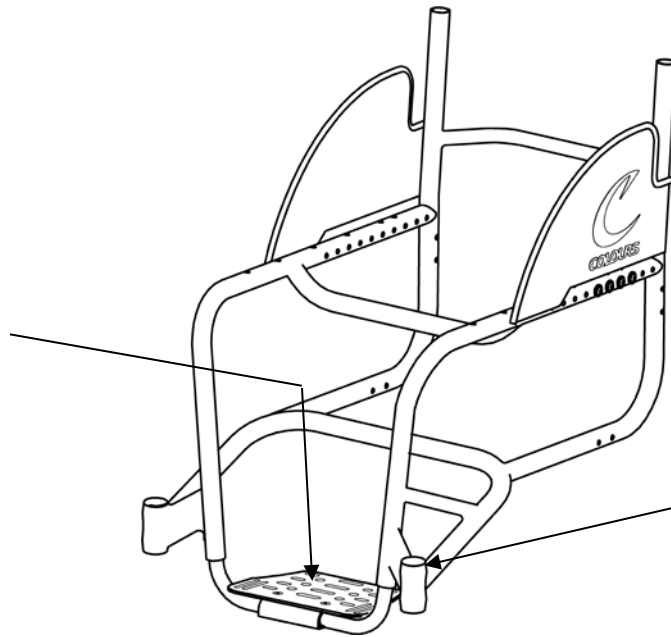
Please Choose the Color for each Part

*Parts not selected will be black color. (Suspension Spring: Silver Color)

*PC=Powder-Coated

Foot Plate

- PC ()
- Polished
- Gold Plated



Caps

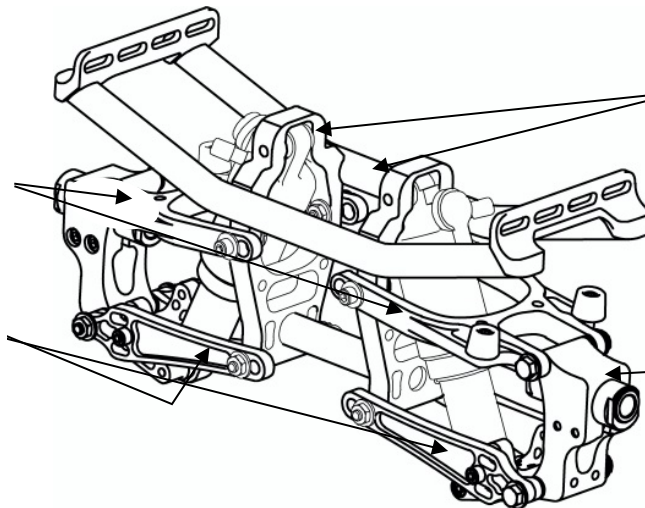
- PC ()
- Polished
- Gold Plated

Upper A-Arms

- PC ()
- Polished
- Gold Plated

Lower A-Arms

- PC ()
- Polished
- Gold Plated



Suspension Main Frame

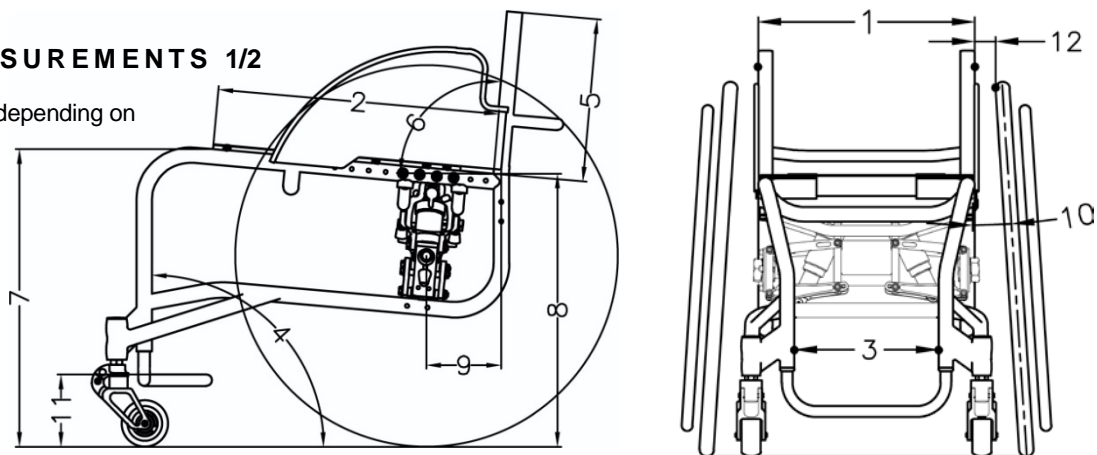
- PC ()
- Polished
- Gold Plated

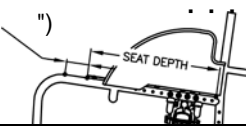
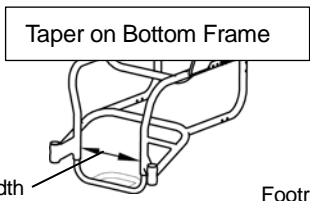
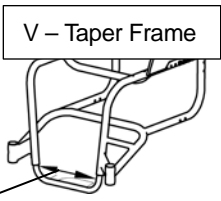
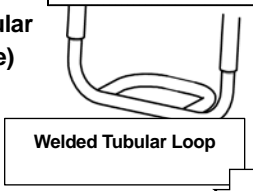
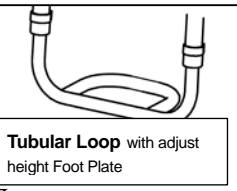
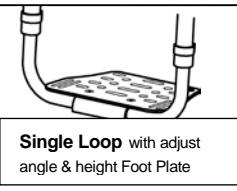
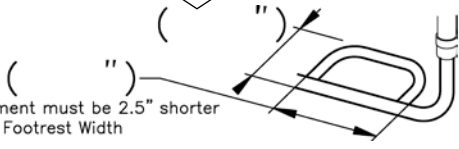

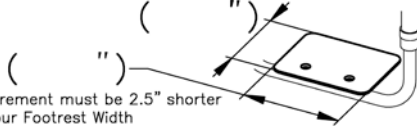
Axle Receiver Holder

- PC ()
- Polished
- Gold Plated

C FRAME MEASUREMENTS 1/2

*Frame style may vary depending on measurements.



1. SEAT WIDTH	<input type="checkbox"/> 13"	<input type="checkbox"/> 14"	<input type="checkbox"/> 15"	<input type="checkbox"/> 16"	<input type="checkbox"/> 17"	<input type="checkbox"/> 18"	<input type="checkbox"/> 19"
2. SEAT DEPTH	<input type="checkbox"/> 13"	<input type="checkbox"/> 14"	<input type="checkbox"/> 15"	<input type="checkbox"/> 16"	<input type="checkbox"/> 17"	<input type="checkbox"/> 18"	<input type="checkbox"/> 19"
<input type="checkbox"/> Aluminum Seat Pan (Black Only)							
<input type="checkbox"/> Positioning Frame Add (") 							
3. FOOTREST WIDTH	<input type="checkbox"/> STD (Seat Width Minus 5", Taper on Bottom Frame) <input type="checkbox"/> Custom (") Taper on Bottom Frame <input type="checkbox"/> Custom (") V - Taper Frame						
<div style="display: flex; justify-content: space-around;"> <div style="text-align: center;">  <p>Taper on Bottom Frame</p> </div> <div style="text-align: center;">  <p>V - Taper Frame</p> </div> </div>							
FOOT PLATE STYLE	<input type="checkbox"/> Welded Tubular Loop (not height Adj) <input type="checkbox"/> Tubular Loop with adjust height *Not Available for V-Taper <input type="checkbox"/> Welded Single Loop with adjust angle STD Foot Plate <input type="checkbox"/> Single Loop with adjust angle & height STD Foot Plate *Not Available for V-Taper Frame						
<input type="checkbox"/> Add Anti-Skid Tape (\$20 up charge)							
<input type="checkbox"/> Fill Inside of Tubular Loop (\$75 up charge)							
* Must Specify Measurement	<div style="display: flex; justify-content: space-around;"> <div style="text-align: center;">  <p>Welded Tubular Loop</p> </div> <div style="text-align: center;">  <p>Tubular Loop with adjust height Foot Plate</p> </div> <div style="text-align: center;">  <p>Single Loop with adjust angle & height Foot Plate</p> </div> </div>						
Size of Loop ▶	 <p>*Measurement must be 2.5" shorter than your Footrest Width</p>						
Angle or Bucket of Loop ▶							
<input type="checkbox"/> Custom Foot Plate (\$100 up charge) *Available Solid Plate Only	 <p>*Measurement must be 2.5" shorter than your Footrest Width</p>						
<input type="checkbox"/> ABS Foot Plate (\$75 up charge)							
4. FRAME ANGLE	<input type="checkbox"/> 75°	<input type="checkbox"/> 80°	<input type="checkbox"/> 85°	<input type="checkbox"/> 90°	to the ground		
	<input type="checkbox"/> Custom (°) to the ground						

C FRAME MEASUREMENTS 2/2

5. BACKREST HEIGHT <small>* Welded Backrest only</small>	<input type="checkbox"/> 8" <input type="checkbox"/> 9" <input type="checkbox"/> 10" <input type="checkbox"/> 11" <input type="checkbox"/> 12" <input type="checkbox"/> 13" <input type="checkbox"/> 14" <input type="checkbox"/> 15" <input type="checkbox"/> 16" <input type="checkbox"/> 17" <input type="checkbox"/> 18"																																																																																	
	<input type="checkbox"/> Custom Backrest 																																																																																	
	<input type="checkbox"/> Folding Backrest <input type="checkbox"/> Add Locking Mechanism \$163 																																																																																	
SIDE GUARDS ▶ <small>* Welded Side Guards only</small> <small>*Not available with folding backrest</small>	<input type="checkbox"/> Welded Side Guards <small>* Must Specify Measurement</small> ▶ 																																																																																	
6. BACKREST ANGLE	(°) to the ground <small>*STD 90°</small>																																																																																	
7. FRONT SEAT HEIGHT	<input type="checkbox"/> 16.5" <input type="checkbox"/> 17.0" <input type="checkbox"/> 17.5" <input type="checkbox"/> 18.0" <input type="checkbox"/> 18.5" <input type="checkbox"/> 19.0" <input type="checkbox"/> 19.5" <input type="checkbox"/> 20.0" <input type="checkbox"/> 20.5"																																																																																	
8. REAR SEAT HEIGHT	*The rear seat heights are impacted by the size of your rear tire. <table border="1" style="width:100%; border-collapse: collapse; text-align: center;"> <thead> <tr> <th style="background-color: black; color: white;">Your Rear Tire Size</th> <th colspan="8" style="background-color: black; color: white;">Rear Seat Height</th> </tr> </thead> <tbody> <tr> <td>24"x1"(540)</td> <td><input type="checkbox"/> 16.0"</td> <td><input type="checkbox"/> 16.5"</td> <td><input type="checkbox"/> 17.0"</td> <td><input type="checkbox"/> 17.5"</td> <td><input type="checkbox"/> 18.0"</td> <td><input type="checkbox"/> 18.5"</td> <td><input type="checkbox"/></td> <td><input type="checkbox"/></td> </tr> <tr> <td>24"x1.2"(540)</td> <td></td> <td><input type="checkbox"/> 16.5"</td> <td><input type="checkbox"/> 17.0"</td> <td><input type="checkbox"/> 17.5"</td> <td><input type="checkbox"/> 18.0"</td> <td><input type="checkbox"/> 18.5"</td> <td><input type="checkbox"/> 19.0"</td> <td><input type="checkbox"/></td> </tr> <tr> <td>24"x1 3/8"(540)</td> <td></td> <td><input type="checkbox"/> 16.5"</td> <td><input type="checkbox"/> 17.0"</td> <td><input type="checkbox"/> 17.5"</td> <td><input type="checkbox"/> 18.0"</td> <td><input type="checkbox"/> 18.5"</td> <td><input type="checkbox"/> 19.0"</td> <td><input type="checkbox"/></td> </tr> <tr> <td>25"x1"(559)</td> <td></td> <td><input type="checkbox"/> 16.5"</td> <td><input type="checkbox"/> 17.0"</td> <td><input type="checkbox"/> 17.5"</td> <td><input type="checkbox"/> 18.0"</td> <td><input type="checkbox"/> 18.5"</td> <td><input type="checkbox"/> 19.0"</td> <td><input type="checkbox"/></td> </tr> <tr> <td>25"x1.2"(559)</td> <td></td> <td></td> <td><input type="checkbox"/> 17.0"</td> <td><input type="checkbox"/> 17.5"</td> <td><input type="checkbox"/> 18.0"</td> <td><input type="checkbox"/> 18.5"</td> <td><input type="checkbox"/> 19.0"</td> <td><input type="checkbox"/></td> </tr> <tr> <td>24"x2"(540)</td> <td></td> <td></td> <td><input type="checkbox"/> 17.0"</td> <td><input type="checkbox"/> 17.5"</td> <td><input type="checkbox"/> 18.0"</td> <td><input type="checkbox"/> 18.5"</td> <td><input type="checkbox"/> 19.0"</td> <td><input type="checkbox"/></td> </tr> <tr> <td>26"x1"(590)</td> <td></td> <td></td> <td><input type="checkbox"/> 17.0"</td> <td><input type="checkbox"/> 17.5"</td> <td><input type="checkbox"/> 18.0"</td> <td><input type="checkbox"/> 18.5"</td> <td><input type="checkbox"/> 19.0"</td> <td><input type="checkbox"/></td> </tr> <tr> <td>25"x1.95"(559)</td> <td></td> <td></td> <td></td> <td><input type="checkbox"/> 17.5"</td> <td><input type="checkbox"/> 18.0"</td> <td><input type="checkbox"/> 18.5"</td> <td><input type="checkbox"/> 19.0"</td> <td><input type="checkbox"/> 19.5"</td> </tr> </tbody> </table>	Your Rear Tire Size	Rear Seat Height								24"x1"(540)	<input type="checkbox"/> 16.0"	<input type="checkbox"/> 16.5"	<input type="checkbox"/> 17.0"	<input type="checkbox"/> 17.5"	<input type="checkbox"/> 18.0"	<input type="checkbox"/> 18.5"	<input type="checkbox"/>	<input type="checkbox"/>	24"x1.2"(540)		<input type="checkbox"/> 16.5"	<input type="checkbox"/> 17.0"	<input type="checkbox"/> 17.5"	<input type="checkbox"/> 18.0"	<input type="checkbox"/> 18.5"	<input type="checkbox"/> 19.0"	<input type="checkbox"/>	24"x1 3/8"(540)		<input type="checkbox"/> 16.5"	<input type="checkbox"/> 17.0"	<input type="checkbox"/> 17.5"	<input type="checkbox"/> 18.0"	<input type="checkbox"/> 18.5"	<input type="checkbox"/> 19.0"	<input type="checkbox"/>	25"x1"(559)		<input type="checkbox"/> 16.5"	<input type="checkbox"/> 17.0"	<input type="checkbox"/> 17.5"	<input type="checkbox"/> 18.0"	<input type="checkbox"/> 18.5"	<input type="checkbox"/> 19.0"	<input type="checkbox"/>	25"x1.2"(559)			<input type="checkbox"/> 17.0"	<input type="checkbox"/> 17.5"	<input type="checkbox"/> 18.0"	<input type="checkbox"/> 18.5"	<input type="checkbox"/> 19.0"	<input type="checkbox"/>	24"x2"(540)			<input type="checkbox"/> 17.0"	<input type="checkbox"/> 17.5"	<input type="checkbox"/> 18.0"	<input type="checkbox"/> 18.5"	<input type="checkbox"/> 19.0"	<input type="checkbox"/>	26"x1"(590)			<input type="checkbox"/> 17.0"	<input type="checkbox"/> 17.5"	<input type="checkbox"/> 18.0"	<input type="checkbox"/> 18.5"	<input type="checkbox"/> 19.0"	<input type="checkbox"/>	25"x1.95"(559)				<input type="checkbox"/> 17.5"	<input type="checkbox"/> 18.0"	<input type="checkbox"/> 18.5"	<input type="checkbox"/> 19.0"	<input type="checkbox"/> 19.5"
Your Rear Tire Size	Rear Seat Height																																																																																	
24"x1"(540)	<input type="checkbox"/> 16.0"	<input type="checkbox"/> 16.5"	<input type="checkbox"/> 17.0"	<input type="checkbox"/> 17.5"	<input type="checkbox"/> 18.0"	<input type="checkbox"/> 18.5"	<input type="checkbox"/>	<input type="checkbox"/>																																																																										
24"x1.2"(540)		<input type="checkbox"/> 16.5"	<input type="checkbox"/> 17.0"	<input type="checkbox"/> 17.5"	<input type="checkbox"/> 18.0"	<input type="checkbox"/> 18.5"	<input type="checkbox"/> 19.0"	<input type="checkbox"/>																																																																										
24"x1 3/8"(540)		<input type="checkbox"/> 16.5"	<input type="checkbox"/> 17.0"	<input type="checkbox"/> 17.5"	<input type="checkbox"/> 18.0"	<input type="checkbox"/> 18.5"	<input type="checkbox"/> 19.0"	<input type="checkbox"/>																																																																										
25"x1"(559)		<input type="checkbox"/> 16.5"	<input type="checkbox"/> 17.0"	<input type="checkbox"/> 17.5"	<input type="checkbox"/> 18.0"	<input type="checkbox"/> 18.5"	<input type="checkbox"/> 19.0"	<input type="checkbox"/>																																																																										
25"x1.2"(559)			<input type="checkbox"/> 17.0"	<input type="checkbox"/> 17.5"	<input type="checkbox"/> 18.0"	<input type="checkbox"/> 18.5"	<input type="checkbox"/> 19.0"	<input type="checkbox"/>																																																																										
24"x2"(540)			<input type="checkbox"/> 17.0"	<input type="checkbox"/> 17.5"	<input type="checkbox"/> 18.0"	<input type="checkbox"/> 18.5"	<input type="checkbox"/> 19.0"	<input type="checkbox"/>																																																																										
26"x1"(590)			<input type="checkbox"/> 17.0"	<input type="checkbox"/> 17.5"	<input type="checkbox"/> 18.0"	<input type="checkbox"/> 18.5"	<input type="checkbox"/> 19.0"	<input type="checkbox"/>																																																																										
25"x1.95"(559)				<input type="checkbox"/> 17.5"	<input type="checkbox"/> 18.0"	<input type="checkbox"/> 18.5"	<input type="checkbox"/> 19.0"	<input type="checkbox"/> 19.5"																																																																										
9. CENTER OF GRAVITY	<input type="checkbox"/> 3.5" <input type="checkbox"/> 4.0" <input type="checkbox"/> 4.5" <input type="checkbox"/> 5.0" <input type="checkbox"/> 5.5" <input type="checkbox"/> 6.0" <input type="checkbox"/> 6.5" <input type="checkbox"/> 7.0"																																																																																	
10. CAMBER ANGLE	<input type="checkbox"/> 2° <input type="checkbox"/> 4°																																																																																	
11. FROM GROUND TO TOP OF FOOTREST OR FROM SEAT SLING TO TOP OF FOOTREST	<p><small>Measure vertical from ground to front edge to top of foot loop.</small></p> <p><small>Measure vertical from top of seat sling at front edge to top of foot loop.</small></p> <p>* Only Choose One Measurement</p>																																																																																	
12. INSIDE WHEEL CLEARANCE	<input type="checkbox"/> 3/4" <input type="checkbox"/> 1" <input type="checkbox"/> 1 1/4" <input type="checkbox"/> 1 1/2" <input type="checkbox"/> 1 3/4" <input type="checkbox"/> 2" <small>*3/4" Inside wheel clearance not available with D's Locks</small>																																																																																	
13. REAR SUSPENSION RATING	<input type="checkbox"/> Set up 50psi (For 80 lbs-110 lbs weight) <input type="checkbox"/> Set up 100psi (For 170 lbs-200 lbs weight) <input type="checkbox"/> Set up 60psi (For 110 lbs-140 lbs weight) <input type="checkbox"/> Set up 120psi (For 200 lbs-230 lbs weight) <input type="checkbox"/> Set up 80psi (For 140 lbs-170 lbs weight) <input type="checkbox"/> Set up 150psi (For 230 lbs-250 lbs weight)																																																																																	
* Air Pro Kit Included	Pick Air Tube Color <input type="checkbox"/> Black <input type="checkbox"/> Yellow <input type="checkbox"/> Blue <input type="checkbox"/> Red <input type="checkbox"/> Orange																																																																																	
*SHOCK PUMP	<input type="checkbox"/> Fox Racing Shox 300 HP Pump <input type="checkbox"/> Omit Pump <small>*Customer Needs Pump To Adjust Rear Suspension Rating</small>																																																																																	
NOTE																																																																																		

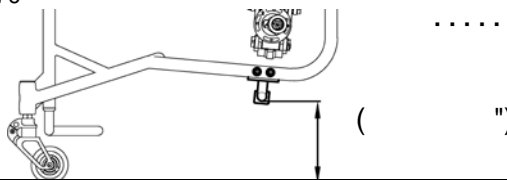
D COMPONENTS

WHEEL LOCKS	
<input type="checkbox"/> Gallop Push To Lock w/ 1" Clamp	
<input type="checkbox"/> Question Mark Style Scissor
<input type="checkbox"/> NEW Compact Scissor Lock / Anodized Black
<input checked="" type="checkbox"/> Gallop Scissor Lock / Anodized	

PUSH HANDLES	
<input type="checkbox"/> Integrated w/Fixed Backrest Height / Anodized Black Only
<input type="checkbox"/> Bolt-on / Anodized Black Only Specify Height from floor
<input type="checkbox"/> Bolt-on w/Quick Release / Anodized Black Only Specify Height from floor -()"
<input type="checkbox"/> NEW Height Adj. / Anodized Black Only Specify Maximum height from floor -()"

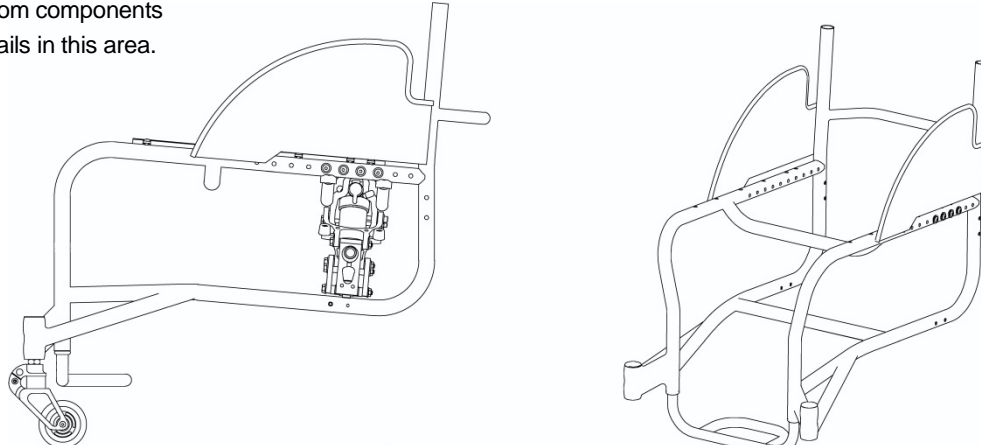
ANTI-TIPPERS	
<input type="checkbox"/> Removable Anti-tipper(pair) Anodized Black Only
<input type="checkbox"/> Press Release Removable Anti-tipper	

ACCESSORIES	
<input type="checkbox"/> Frame Protectors / Black Leather/Zipper
<input type="checkbox"/> Gel Ovation Protector Wraps Gel Silicone	
<input type="checkbox"/> Seat Belt w/Auto Buckle (BP) 1.5" Black Belt Only
<input type="checkbox"/> Calf Strap <input type="checkbox"/> Black <input type="checkbox"/> Matching Fabric (\$55 up charge) -Select Fabric()	
<input type="checkbox"/> Bodypoint Padded Calf Strap <input type="checkbox"/> (14"-16" footrest width) <input type="checkbox"/> (16"-20" footrest width) <input type="checkbox"/> (20"-24)"	
	\$77 \$83 \$89
<input type="checkbox"/> SEAT FOAM CUSHION w/Nylon Black Cover	
Thickness <input type="checkbox"/> 1" <input type="checkbox"/> 2" <input type="checkbox"/> 3" <input type="checkbox"/> 4"	
<input type="checkbox"/> Hanging Zipper Pouch <input type="checkbox"/> Black <input type="checkbox"/> Matching Fabric (\$60) <input type="checkbox"/> Leather (\$75)	
Custom Size: Width: Length:	
<input type="checkbox"/> Ratchet Strap <input type="checkbox"/> Small <input type="checkbox"/> Medium <input type="checkbox"/> Large
8" Pads 10" Pads 12" Pads	
\$ 250 \$ 250 \$ 270	
<input type="checkbox"/> Grind Bar <input checked="" type="checkbox"/> Must Specify Measurement



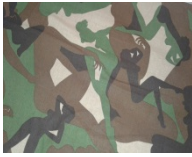
UPHOLSTERY STYLE, COLOR & FABRIC	
*Positioning Back Available. Please see Section E	
STYLE	
<input type="checkbox"/> Standard Adjustable Height Backrest Black
<input type="checkbox"/> Adjustable Tension Backrest Black Only (*Not available with 8" Backrest Height)
Custom Options	<input type="checkbox"/> Fun Fabric: For Std. or Adj. Style
	(Choose From Choices on Page 7 and write choice below) (\$80 up
	<input type="checkbox"/> Backrest Leather Trim (outside panels)
	(\$up charge)DEPENDS ON MEASUREMENTS

If you want additional custom components
Please write down the details in this area.



FABRIC CHOICE SHEET

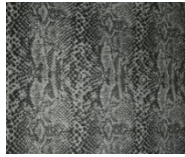
1. Camouflage Girls



2. Purple Zebra



3. Silver Grey Snake



5. Laughing Skulls



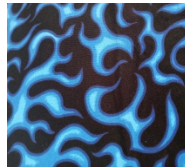
6. Purple Snake



7. Sweetheart Pinup Girls



9. Blue Flames



10. Arctic Camo



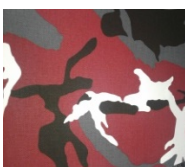
11. Furry Friends



12. Supercars



13. Urban Camo



14. Superbikes



15. Sizzle Flames



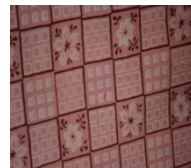
16. Hot Rod Flames



17. Skulls w/ Attitude



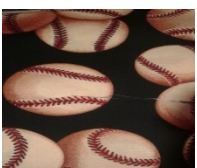
18. Sweet Pink



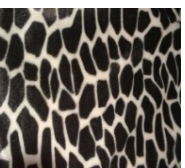
19. Heart and Soul



20. Home Run



21. Fuzzy Giraffe



22. Cheetah



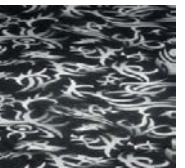
23. Paperweight Cobalt



24. Zig Zag Dots



25. Smokey Tribal Flames



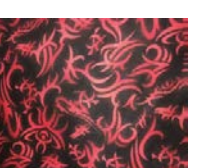
26. Rose and Rebellion



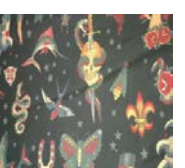
27. Tattoo Adventure(Cream



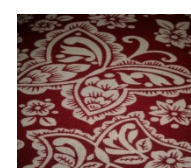
28. Red Tribal Flames



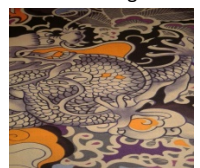
29. Tattoo Adventure(Black)



30. Butterfly Bandana



31. Tatsu Dragon



E TIRES, CASTERS, & FORKS

TIRES

Primo High Pressure Tire 24"x1" 25"x1" or 26"x1" Gray Tire with black wall Only

Primo High Pressure Tire 24"x1" 25"x1" or 26"x1" Blue Red

Schwalbe Air Born Tire 24"x1.2"(540) 25"x1.2"(559)

Schwalbe Marathon Plus High Pressure Tire 24"x1", 25"x1" or 26"x1" Black Only

Solid Tire 24"x1" 25"x1" Black

Solid Tire 26"x1" Dark Grey

Aggressive Knobby Tire 24"x 2" (50-540) Gray Only Blue Line Red Line

Aggressive Knobby Tire 26"x 2" (50-559) Gray Only Blue Line Red Line

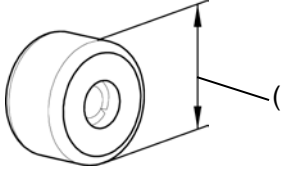
E2211 Aggressive Knobby Tire (540) 24"x 1.95" Black Only

E2211 Bell Mountain Bike Tire in Flat Defense (559) 26" X 1.75 - 2.25 Black Only

CASTERS

Customer to Supply Skate Wheels

▶ Please give us the wheel diameter



(mm)

SIZE	TIRE WIDTH	HUB COLOR	TIRE COLOR	DESCRIPTION
<input type="checkbox"/> 3"	1"	Black Hub	Black Tire Only	Polyurethane
<input type="checkbox"/> 3"	1"	Plastic Black Hub	Clear Tire Only	Lighted, Polyurethane
<input type="checkbox"/> 3"	1"	Black Hub	Red Tire Only	Polyurethane
<input type="checkbox"/> 3"	1"	Black Hub	Clear Tire Only	Polyurethane
<input type="checkbox"/> 3"	1"	Aluminum Silver Hub	Black Tire Only	Soft Roll Made By Frog Legs
<input type="checkbox"/> 3"	1"	Aluminum Black Hub	Black Tire Only	Soft Roll Made By Frog Legs
<input type="checkbox"/> 3"	1.5"	Aluminum Silver Hub	Black Tire Only	Soft Roll Made By Frog Legs
<input type="checkbox"/> 3"	1.5"	Aluminum Black Hub	Black Tire Only	Soft Roll Made By Frog Legs
<input type="checkbox"/> 3"	<input type="checkbox"/> 1" or <input type="checkbox"/> 1.5"	Hub Color:	Tread Color:	Soft Roll Made By Frog Legs

FORKS

Pro Sport Frog Leg Suspension Forks Only

Frog Leg Suspension Forks **Std 1" Wide** (For 3", 4" x 1" width Caster and 5" STD Caster, 5" lighted Caster)
Not for 4 x 1 1/8 STD

Color Anodized Black

▶ End User Weight Required: _____ lbs

Frog Leg Suspension Forks **1.5" Wide** (For 3", 4" x 1.5" width Caster and 5" x 1"& 5" x 1.5" Casters)


Color Anodized Black


▶ End User Weight Required: _____ lbs

Frog Leg Shields(4pcs)

F WHEELS

WHEELS	
Wire Wheels	<input type="checkbox"/> 24" (540) <input type="checkbox"/> 25" (599) <input type="checkbox"/> 26" (590)

Spinergy Sport Lite Extreme "SLX" 24 Spoke 	<input type="checkbox"/> 24" (540) <input type="checkbox"/> 25" (559) <input type="checkbox"/> 26" (590) Spoke Color <input type="checkbox"/> Black With Silver Hub <input type="checkbox"/> Red With Black Hub <input type="checkbox"/> Yellow With Black Hub <input type="checkbox"/> Blue With Black Hub <input type="checkbox"/> White With Black Hub <input type="checkbox"/> Neon Green With Black Hub <input type="checkbox"/> Pink With Black Hub <input type="checkbox"/> Orange With Black Hub <input type="checkbox"/> Purple With Black Hub <input type="checkbox"/> Custom Color Spoke Pattern <table border="1" style="display: inline-table; border-collapse: collapse;"> <tr> <td colspan="2"></td> <td style="width:100px;">Left Wheel</td> <td style="width:100px;">Right Wheel</td> </tr> <tr> <td style="width:50px;">Spokes</td> <td style="width:50px;">Inside</td> <td></td> <td></td> </tr> <tr> <td style="width:50px;">Color</td> <td style="width:50px;">Outside</td> <td></td> <td></td> </tr> <tr> <td colspan="2">Hub Color</td> <td><input type="checkbox"/> Black/<input type="checkbox"/> Silver</td> <td><input type="checkbox"/> Black/<input type="checkbox"/> Silver</td> </tr> </table> (+\$100)			Left Wheel	Right Wheel	Spokes	Inside			Color	Outside			Hub Color		<input type="checkbox"/> Black/ <input type="checkbox"/> Silver	<input type="checkbox"/> Black/ <input type="checkbox"/> Silver
		Left Wheel	Right Wheel														
Spokes	Inside																
Color	Outside																
Hub Color		<input type="checkbox"/> Black/ <input type="checkbox"/> Silver	<input type="checkbox"/> Black/ <input type="checkbox"/> Silver														

Spinergy X-Laced Sport Lite Extreme "XSLX" 24 spoke 	<input type="checkbox"/> 24" (540) <input type="checkbox"/> 25" (559) <input type="checkbox"/> 26" (590) <input type="checkbox"/> Black With Silver Hub <input type="checkbox"/> Red With Black Hub <input type="checkbox"/> Yellow With Black Hub <input type="checkbox"/> Blue With Black Hub <input type="checkbox"/> White With Black Hub <input type="checkbox"/> Neon Green With Black Hub <input type="checkbox"/> Pink With Black Hub <input type="checkbox"/> Orange With Black Hub <input type="checkbox"/> Purple With Black Hub <input type="checkbox"/> Custom Color Spoke Pattern <table border="1" style="display: inline-table; border-collapse: collapse;"> <tr> <td colspan="2"></td> <td style="width:100px;">Left Wheel</td> <td style="width:100px;">Right Wheel</td> </tr> <tr> <td style="width:50px;">Spokes</td> <td style="width:50px;">Inside</td> <td></td> <td></td> </tr> <tr> <td style="width:50px;">Color</td> <td style="width:50px;">Outside</td> <td></td> <td></td> </tr> <tr> <td colspan="2">Hub Color</td> <td><input type="checkbox"/> Black/<input type="checkbox"/> Silver</td> <td><input type="checkbox"/> Black/<input type="checkbox"/> Silver</td> </tr> </table> (+\$100)			Left Wheel	Right Wheel	Spokes	Inside			Color	Outside			Hub Color		<input type="checkbox"/> Black/ <input type="checkbox"/> Silver	<input type="checkbox"/> Black/ <input type="checkbox"/> Silver
		Left Wheel	Right Wheel														
Spokes	Inside																
Color	Outside																
Hub Color		<input type="checkbox"/> Black/ <input type="checkbox"/> Silver	<input type="checkbox"/> Black/ <input type="checkbox"/> Silver														

HANDRIMS

Type	<input type="checkbox"/> Standard For 24", 25" or 26" Wheel Anodized Black <input type="checkbox"/> Vinyl Coated For 24", 25", 26" Wheel Not available with Y-360 Billet Wheels <input type="checkbox"/> Spinergy Silver Brushed Anodized For 24", 25" & 26" Wheels Not available with Y-360 Billet Wheels <input type="checkbox"/> Natural Fit For 24", 25" & 26" Wheel <input type="checkbox"/> Standard Grip (Not available with short tabs. Not available with Y-360 Billet Wheels <input type="checkbox"/> Super Grip (Not available with short tabs. Not available with Y-360 Billet Wheels <input type="checkbox"/> Without Thumb Grip (Not available with Y-360 Billet Wheels <input type="checkbox"/> Natural Fit (LT) For 24", 25" & 26" Wheel <input type="checkbox"/> Standard Grip (Not available with short tabs. Not available with Y-360 Billet Wheels <input type="checkbox"/> Super Grip (Not available with short tabs. Not available with Y-360 Billet Wheels <input type="checkbox"/> Without Thumb Grip (Not available with Y-360 Billet Wheels <input type="checkbox"/> The Surge Handrims * Not available with Y-360 Billet Wheels <input type="checkbox"/> The Surge Handrims (LT) * Not available with Y-360 Billet Wheels <input type="checkbox"/> The Q-Grip Handrims : anti-slip, latex-free, neoprene coating * Not available with Y-360 Billet Wheels <input type="checkbox"/> OMIT HANDRIMS
-------------	--

TAB LENGTH	<input type="checkbox"/> Long Tab (STD inside clearance 3/4") * Not available with Y-360 Wheels. <input type="checkbox"/> Short Tab (Inside clearance 1/2") *Not available with Natural Fit Handrim with thumb grip <input type="checkbox"/> Short Tab (Set closest to wheel cut off excess)
-------------------	--

NOTES	
--------------	--

G CHAIR OPTIONS 1 / 3

SEAT CUSHION	
SUPRACOR® WHEELCHAIR CUSHIONS	
Stimulite® Contoured Cushion *Black Upholstery only *Comes with Zipper Pouch <input type="checkbox"/> Extra Sensitive (\$35 up charge) <input type="checkbox"/> Sling Style Bottom (\$52 up charge) <input type="checkbox"/> Custom Size (\$- CFP) W(") x D(") <input type="checkbox"/> Extra Cover (\$104 up charge)	<input type="checkbox"/> W14"xD16" (CD1416) E2603 <input type="checkbox"/> W16"xD16" (CD1616) E2603 <input type="checkbox"/> W16"xD18" (CD1618) E2603 <input type="checkbox"/> W18"xD16" (CD1816) E2603 <input type="checkbox"/> W18"xD18" (CD1818) E2603 <input type="checkbox"/> W18"xD20" (CD1820) E2603 <input type="checkbox"/> W20"xD16" (CD2016) E2603 <input type="checkbox"/> W20"xD18" (CD2018) E2603 <input type="checkbox"/> W20"xD20" (CD2020) E2603
Stimulite® Slimline Cushion *Black Upholstery only <input type="checkbox"/> Extra Sensitive (\$35 up charge) <input type="checkbox"/> Sling Style Bottom (\$52 up charge) <input type="checkbox"/> Custom Size (\$- CFP) W(") x D(") <input type="checkbox"/> Extra Cover (\$75 up charge)	<input type="checkbox"/> W14"xD16" (SM1416) E2603 <input type="checkbox"/> W16"xD16" (SM1616) E2603 <input type="checkbox"/> W16"xD18" (SM1618) E2603 <input type="checkbox"/> W18"xD18" (SM1818) E2603 <input type="checkbox"/> W18"xD20" (SM1820) E2603 <input type="checkbox"/> W20"xD16" (SM2016) E2603 <input type="checkbox"/> W20"xD18" (SM2018) E2603 <input type="checkbox"/> W20"xD20" (SM2020) E2603
Stimulite® Corbee Pediatric *Black Upholstery only <input type="checkbox"/> Extra Cover (\$75 up charge)	<input type="checkbox"/> W10"xD10" (PD1010) E2603 <input type="checkbox"/> W12"xD12" (PD1212) E2603 <input type="checkbox"/> W14"xD14" (PD1414) E2603 <input type="checkbox"/> Extra Sensitive (\$35 up charge) <input type="checkbox"/> Sling Style Bottom (\$52 up charge) <input type="checkbox"/> Custom Size W(") x D(") (\$- CFP)
ROHO WHEELCHAIR CUSHIONS	
<input type="checkbox"/> 4" HIGH PROFILE® QUADTRO SELECT® CUSHION *Black Upholstery <input type="checkbox"/> Extra Cover (\$+57) only. E2622-2623	
Choose Size	<input type="checkbox"/> W12"xD12" <input type="checkbox"/> W12"xD13" <input type="checkbox"/> W13"xD13" <input type="checkbox"/> W13"xD15" <input type="checkbox"/> W13"xD16" <input type="checkbox"/> W15"xD13" <input type="checkbox"/> W15"xD15" <input type="checkbox"/> W15"xD16" <input type="checkbox"/> W15"xD18" <input type="checkbox"/> W16"xD15" <input type="checkbox"/> W16"xD16" <input type="checkbox"/> W16"xD18" <input type="checkbox"/> W16"xD20" <input type="checkbox"/> W18"xD15" <input type="checkbox"/> W18"xD16" <input type="checkbox"/> W18"xD18" <input type="checkbox"/> W18"xD20" <input type="checkbox"/> W18"xD22" <input type="checkbox"/> W20"xD16" <input type="checkbox"/> W20"xD18" <input type="checkbox"/> W20"xD20" <input type="checkbox"/> W20"xD22" <input type="checkbox"/> W22"xD18" <input type="checkbox"/> W22"xD20" <input type="checkbox"/> W22"xD22" <input type="checkbox"/> Custom Size W(") x D(") (\$+CFP)
Choose Size	<input type="checkbox"/> 3" MID PROFILE® QUADTRO SELECT® CUSHION *Black Upholstery only <input type="checkbox"/> Extra Cover E2622-2623 <input type="checkbox"/> W15"xD15" <input type="checkbox"/> W15"xD16" <input type="checkbox"/> W16"xD16" <input type="checkbox"/> W16"xD18" <input type="checkbox"/> W18"xD16" <input type="checkbox"/> W18"xD18" <input type="checkbox"/> Custom Size W(") x D(") (\$+CFP)
Choose Size	<input type="checkbox"/> 2" LOW PROFILE® QUADTRO SELECT® CUSHION *Black Upholstery only <input type="checkbox"/> Extra Cover (\$+57) E2622-2623 <input type="checkbox"/> W12"xD12" <input type="checkbox"/> W12"xD13" <input type="checkbox"/> W13"xD13" <input type="checkbox"/> W13"xD15" <input type="checkbox"/> W13"xD16" <input type="checkbox"/> W15"xD13" <input type="checkbox"/> W15"xD15" <input type="checkbox"/> W15"xD16" <input type="checkbox"/> W15"xD18" <input type="checkbox"/> W16"xD15" <input type="checkbox"/> W16"xD16" <input type="checkbox"/> W16"xD18" <input type="checkbox"/> W16"xD20" <input type="checkbox"/> W18"xD15" <input type="checkbox"/> W18"xD16" <input type="checkbox"/> W18"xD18" <input type="checkbox"/> W18"xD20" <input type="checkbox"/> W20"xD16" <input type="checkbox"/> W20"xD18" <input type="checkbox"/> W20"xD20" <input type="checkbox"/> Custom Size W(") x D(") (\$+CFP)
STAR CUSHIONS	
Galaxy Cushion *Black Upholstery only <input type="checkbox"/> W14"xD14" (GXY 1414-2) <input type="checkbox"/> W14"xD16" (GXY 1416-2) <input type="checkbox"/> W16"xD14" (GXY 1614-2) <input type="checkbox"/> W16"xD16" (GXY 1616-2) <input type="checkbox"/> W16"xD18" (GXY 1618-2) <input type="checkbox"/> W18"xD16" (GXY 1816-2) <input type="checkbox"/> W18"xD18" (GXY 1818-2) <input type="checkbox"/> W18"xD20" (GXY 1820-2) <input type="checkbox"/> W20"xD16" (GXY 2016-2) <input type="checkbox"/> W20"xD18" (GXY 2018-2) <input type="checkbox"/> W20"xD20" (GXY 2020-2)	Choose Zoning Options E2624 <input type="checkbox"/> Standard - Dual Valve <input type="checkbox"/> Dual Valve - Front to Back <input type="checkbox"/> Four Valve <input type="checkbox"/> Simple - Single Valve <input type="checkbox"/> Four Valve - Enhanced <input type="checkbox"/> Four Valve - Front to Back
THE CURVE CUSHION *Black Upholstery only <input type="checkbox"/> Extra Cover (\$+ 40	<input type="checkbox"/> W10"xD10" <input type="checkbox"/> W10"xD11" <input type="checkbox"/> W10"xD11" <input type="checkbox"/> W10"xD12" <input type="checkbox"/> W11"xD12" <input type="checkbox"/> W12"xD12" <input type="checkbox"/> W12"xD13" <input type="checkbox"/> W12"xD14" <input type="checkbox"/> W13"xD11" <input type="checkbox"/> W13"xD12" <input type="checkbox"/> W13"xD13" <input type="checkbox"/> W13"xD14" <input type="checkbox"/> W14"xD14" <input type="checkbox"/> W14"xD15" <input type="checkbox"/> W14"xD16" <input type="checkbox"/> W15"xD14" <input type="checkbox"/> W15"xD15" <input type="checkbox"/> W15"xD16" <input type="checkbox"/> W16"xD14" <input type="checkbox"/> W16"xD15" <input type="checkbox"/> W16"xD16" <input type="checkbox"/> W16"xD17" <input type="checkbox"/> W16"xD18" <input type="checkbox"/> W17"xD16" <input type="checkbox"/> W17"xD17" <input type="checkbox"/> W17"xD18" <input type="checkbox"/> W18"xD16" <input type="checkbox"/> W18"xD17" <input type="checkbox"/> W18"xD18"

Valid from 2022 Prices & Specifications Are Subject To Change Without

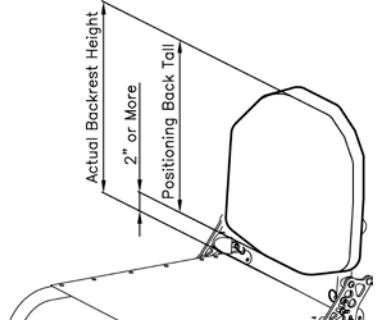
G CHAIR OPTIONS 2 / 3

SEAT CUSHION	
Exgel Kaji Cushion	
For Comfortable Sitting To Prevent Pressure Sores <input type="checkbox"/> Owl Regular(1.6" Thick) Incontinence Cover Only	<input type="checkbox"/> W14"xD16" E2603 <input type="checkbox"/> W15"xD16" E2603 <input type="checkbox"/> W16"xD16" E2603 <input type="checkbox"/> W18"xD16" * No Custom Sizes E2603
<input type="checkbox"/> Owl High(3.1" Thick) Incontinence Cover Only	<input type="checkbox"/> W14"xD16" E2603 <input type="checkbox"/> W15"xD16" E2603 <input type="checkbox"/> W16"xD16" E2603 <input type="checkbox"/> W18"xD16" E2603 <input type="checkbox"/> W18"xD18" * No Custom Sizes E2603
<input type="checkbox"/> Owl Contour(4.3" Thick) Incontinence Cover Only	<input type="checkbox"/> W14"xD16" E2603 <input type="checkbox"/> W15"xD16" E2603 <input type="checkbox"/> W16"xD16" E2603 <input type="checkbox"/> W18"xD16" E2603 * No Custom Sizes
<input type="checkbox"/> Owl Deep Contour(4.3" Thick) <input type="checkbox"/> W14"xD16" \$ 458 * No Custom Sizes- Incontinence Cover Only <input type="checkbox"/> W14"xD16" \$518 <input type="checkbox"/> W15"xD16" \$518 <input type="checkbox"/> W16"xD16" \$518 <input type="checkbox"/> W18"xD16" \$558	
<input type="checkbox"/> Standard Regular(1.4" Thick) Easy to Use Flat Style (superior pressure redistribution) For Pressure E2622-2623 <input type="checkbox"/> W12" x D12" \$368 <input type="checkbox"/> W13" x D13" \$368 <input type="checkbox"/> W14" x D14" \$368 <input type="checkbox"/> W14" x D16" \$368 <input type="checkbox"/> W16" x D16" \$368 <input type="checkbox"/> W16" x D17" \$368 <input type="checkbox"/> W17" x D16" \$368 <input type="checkbox"/> W17" x D17" \$368 <input type="checkbox"/> W18" x D16" \$391 <input type="checkbox"/> W18" x D18" \$391 <input type="checkbox"/> W18" x D19" \$440 <input type="checkbox"/> W18" x D20" \$440 <input type="checkbox"/> W19" x D19" \$440 * No Custom Sizes- Incontinence Cover Only	
<input type="checkbox"/> Standard High(2.6" Thick) Incontinence Cover Only E2622 *Black Upholstery only <input type="checkbox"/> W12" x D12" \$383 <input type="checkbox"/> W13" x D13" \$ 383 <input type="checkbox"/> W14" x D14" \$383 <input type="checkbox"/> W14" x D16" \$ 383 <input type="checkbox"/> W16" x D16" \$383 <input type="checkbox"/> W16" x D17" \$383 <input type="checkbox"/> W17" x D16" \$383 <input type="checkbox"/> W17" x D17" \$383 <input type="checkbox"/> W18" x D16" \$460 <input type="checkbox"/> W18" x D18" \$460 <input type="checkbox"/> W18" x D19" \$512 <input type="checkbox"/> W18" x D20" \$512 <input type="checkbox"/> W19" x D19" \$512 <input type="checkbox"/> W18" x D19" \$512	
<input type="checkbox"/> Standard Anti-Thrust(2.6" Thick) * No Custom Sizes Incontinence Cover Only	<input type="checkbox"/> W16 x D16 \$460 Prevents Unwanted <input type="checkbox"/> W18 x D16 \$500 Forward Movement of <input type="checkbox"/> W18 x D18 \$500 lower back and hip bone
<input type="checkbox"/> Lite Regular(2.2" Thick) <input type="checkbox"/> W16" x D16" \$374 <input type="checkbox"/> W18" x D16" \$397 <input type="checkbox"/> W18" x D18" \$397 * No Custom Sizes- Incontinence Cover Only	
<input type="checkbox"/> Lite High(3.0" Thick) <input type="checkbox"/> W16" x D16" \$408 <input type="checkbox"/> W18" x D16" \$431 <input type="checkbox"/> W18" x D18" \$431 * No Custom Sizes- Incontinence Cover Only	

H CHAIR OPTIONS 3 / 3

POSITIONING BACK

***Note : Actual height of the backrest will increase 2" or more.**



ADI CARBON BACKREST (Support Contour-ACTIVE 2.5") *Not Available with Welded Side Guards

Mounting Hardware: 2 Point Pro Quick Release

Height	<input type="checkbox"/> LOW (10" Tall) *Backrest Height requires 12" or more *Available 13"-19" width	Width (")	E2613
	<input type="checkbox"/> Medium (13" Tall) *Backrest Height requires 15" or more *Available 13"-19" width	Width (")	E2613
<input type="checkbox"/> Add Privacy Flap (\$69 up charge)	<input type="checkbox"/> Standard (16" Tall) *Backrest Height requires 18" or more *Available 13"-19" width	Width (")	E2613
	<input type="checkbox"/> Custom Size (" Tall) x (" width)		E2613

ADI ALUMINUM BACKREST (Support Contour-ACTIVE 2.5") *Not Available with Welded Side Guards

Mounting Hardware: 2 Point Pro Quick Release

Height	<input type="checkbox"/> LOW (10" Tall) *Backrest Height requires 12" or more *Available 10"-20" width	Width (")	E2613
	<input type="checkbox"/> Medium (13" Tall) *Backrest Height requires 15" or more *Available 12"-20" width	Width (")	E2613
	<input type="checkbox"/> Standard (16" Tall) *Backrest Height requires 18" or more *Available 14"-20" width	Width (")	E2613
	<input type="checkbox"/> Tall (18" Tall) *Backrest Height requires 20" or more *Available 16"-20" width	Width (")	E2613
<input type="checkbox"/> Add Privacy Flap (\$69 up charge)	<input type="checkbox"/> X-Tall (20" Tall) *Backrest Height requires 22" or more *Available 16"-20" width	Width (")	E2613
	<input type="checkbox"/> Custom Size (" Tall) x (" width)		E2613

ADI ALUMINUM BACKREST (Support Contour-DEEP 4") *Not Available with Welded Side Guards*Not Available with Lateral Supports

Mounting Hardware: 2 Point Pro Quick Release

Height	<input type="checkbox"/> LOW (10" Tall) *Backrest Height requires 12" or more *Available 10"-20" width	Width (")	E2615
	<input type="checkbox"/> Medium (13" Tall) *Backrest Height requires 15" or more *Available 12"-20" width	Width (")	E2615
	<input type="checkbox"/> Standard (16" Tall) *Backrest Height requires 18" or more *Available 14"-20" width	Width (")	E2615
	<input type="checkbox"/> Tall (18" Tall) *Backrest Height requires 20" or more *Available 16"-20" width	Width (")	E2615
<input type="checkbox"/> Add Privacy Flap (\$69 up charge)	<input type="checkbox"/> X-Tall (20" Tall) *Backrest Height requires 22" or more *Available 16"-20" width	Width (")	E2615
	<input type="checkbox"/> Custom Size (" Tall) x (" width)		E2615

ADI LATERAL SUPPORTS (Lateral Supports are compatible with only active 2.5" ADI positioning back.)

<input type="checkbox"/> Stationary Pad	Pad Size <input type="checkbox"/> Small (3" H x 3" D) <input type="checkbox"/> Medium(3" H x 4" D) <input type="checkbox"/> Large(4.5" H x 4.5" D) <input type="checkbox"/> Large(4" H x 6" D)
	<input type="checkbox"/> Pair
	<input type="checkbox"/> Left side only or <input type="checkbox"/> Right side only
<input type="checkbox"/> Swing-Out	Pad Size <input type="checkbox"/> Small (3" H x 3" D) <input type="checkbox"/> Medium(3" H x 4" D) <input type="checkbox"/> Large(4.5" H x 4.5" D) <input type="checkbox"/> Large(4" H x 6" D)
	<input type="checkbox"/> Pair
	<input type="checkbox"/> Left side only or <input type="checkbox"/> Right side only

OTHER

- ADI Transfer Board 21" (ADV21) 24" (ADV24) 29" (ADV29).
- ADI Push and Transfer Gloves Leather (one size fits)
- ADI Carbon Solid Seat (Wide: 18" Max, Depth: 20") ✘ ONLY AVAILABLE WITH COLOURS NON-REMOVABLE SIDE GUARDS

NOTE