

TR 3000 Model 2021

Battery Operated Shower Trolleys

Hygiene Equipment
Designed for People

Multi-tasking shower trolley with endless application possibilities

The TR 3000 foot operated shower trolley (max patient weight 200 kg) is unique with its side mounted column allowing the trolley stretcher to overlap the bed further for a safe and easy patient transfer.

The trolley drains at both ends allowing the person to be positioned in either direction, an invaluable feature for the caregiver.

The TR 3000 is available in three lengths possibilities 1600 mm, 1900 mm and 2100 mm all with same width of 640 mm.

All versions are available with an on-board battery solution or with removeable rechargeable batteries.

The TR 3000 height adjustable Shower Trolley is a great solution to prevent back injuries and to minimize static load and offers a safe and ergonomic working environment for the caregiver.

CE



Registered at Medical Products Agency, Sweden, as a MD Class 1 product, MDR 2017/745.

TR reserves the right to make design changes and/or improvements without notice.



Specifications

Length: (3 models)	Standard = 1900 mm, Short = 1600 mm, Long= 2100 mm
Width:	All models 640 mm
Height:	Min. 600 mm, Max. 900 mm
Max Patient weight:	200 Kg
Chassis/Frames:	Powder coated stainless steel
Floor clearance:	160 mm (height of the base allows mobile sling lift transfers)
Castors:	4 Braked twin castors, 100 mm as standard (Straight Steering castors available as an option)
Control:	Foot operated control for height. (Hand control available as option)
Mattress, pillow:	Blue, both in flame retardant material, Mattress with Dual drainage
Tilt:	Manual tilt adjustment on both sides, +/- 4 degrees
Battery:	On board 24 V , 7 Ah. / Removable LiON 24 V, 5 Ah. Buzzer for low battery
Protection Class Electronics:	Complete unit IPX5 (Handcontrol and removable batteries IPX6)

Features

- Quiet and smooth foot operated height adjustable motion.
- Audible tone when battery is running low.
- Designed for easy cleaning and ease in mobility.
- The mattress is easily removable.
- Side mounted column for improved patient transfers.
- Foldable side rails for efficient and safe patient transfer and transport.
- Maximum patient weight of 200 kg.
- 3 different models of TR 3000 available to find most suitable size for resident and care environments.
- Dual drainage offers easy change of designated head end.
- The side rails can be pressed together travelling through narrow doorways.
- Floor clearance at 160 mm to enable floor lift transfers.
- The stretcher can easily be tilted in both directions to the "Trendelenburg" position, to alleviate person in shock.
- The chassis and sub-frames are made of stainless steel.
- The stretcher has rubber bumper wheels on all four corners to protect walls and doorways.

- Proven choice of durable high quality components, guarantees a low cost of ownership.
- All models come with a magcode charger, mattress, head pillow, 4 braked castors and 1 m flexible drainage hose with hose holder as standard.

Accessories/Options

- Backrest wedge pillow, 15 degrees. Available in blue, grey and yellow color.
- All models can be delivered with grey or yellow head pillow instead of blue.
- Longer drainage hose 2,5 m, instead of 1 m as standard.
- Hand control as a complement to foot control. (Plug & Play)
- Straight steering castors. (standard trolley comes with 4 braked castors)
- Removable rechargeable battery solution.
- Fastners/straps for attachment on mattresses to siderails.

Models

0540000	TR 3000	Standard	1 900 x 640 mm
0540005	TR 3000 S	Pediatric	1 600 x 640 mm
0540006	TR 3000 L	Long	2 100 x 640 mm



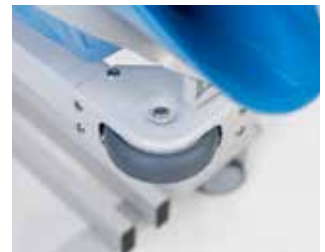
Comes with a foot control as standard. Hand control option available. (Plug & play)



Comes with four 100 mm braked twin castors as standard. Straight steering option available.

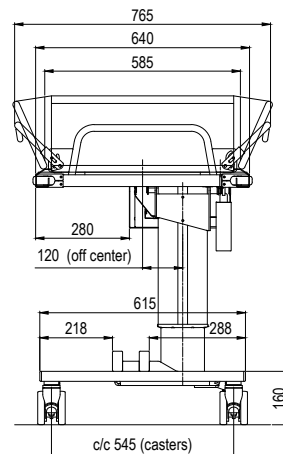
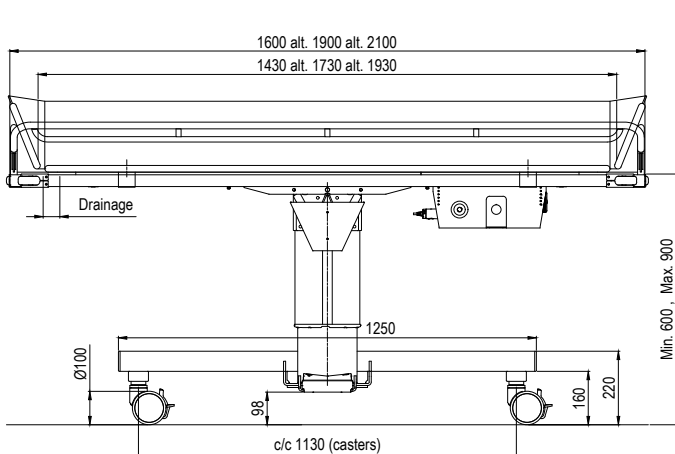


Comes with onboard battery solution as standard. Removable battery option available.



Bumper wheel protection in all four corners as standard.

Dimensions standard (mm)



TR EQUIPMENT