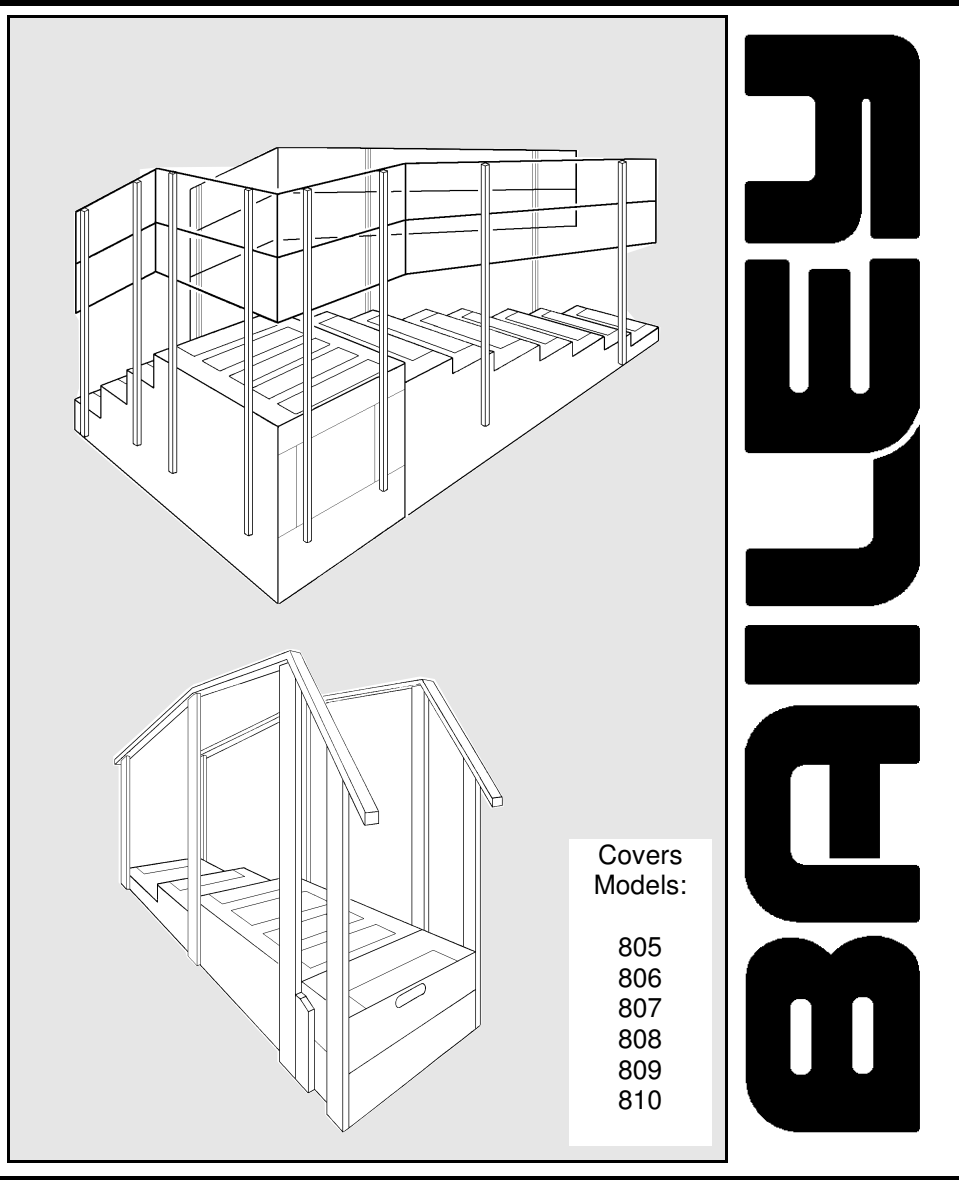


800 Series Training Stairs Product Manual



Covers
Models:

- 805
- 806
- 807
- 808
- 809
- 810

0509C

BAILEY MANUFACTURING COMPANY
800-321-8372 • FAX: 800-224-5390
Mail: P.O. Box 130, Lodi, OH 44254-0130
Shipments: 118 Lee St., Lodi, OH 44254

Important Read This First

Bailey Manufacturing Company is proud of the reputation we have earned as a leader in the physical, occupational, and sports medicine industry during the past 40 years. Our products are made from the highest quality materials and built in the USA by skilled craftsmen.

Prior to shipping, this product was thoroughly inspected to ensure the highest quality standards and your total satisfaction. If you experience any problems, please follow the instructions outlined in the Warranty & Support Section of this manual. Contact either your dealer or Bailey at 1-800-321-8372.

Please take a moment now and record the following information for future reference:

<i>Date of Purchase [delivery date]:</i>
<i>Bailey Dealer:</i>
<i>Packing Slip #:</i>
<i>Serial Number:</i> <i>Date of Manufacture:</i> <i>Model Number:</i>

Contents:	Pages:
Product Section	4 thru 22
General Information	4
Parts	5 - 6
Product Identification	7
Assembly	8 - 20
Operation	21
Safety	21
Maintenance & Cleaning	22
Troubleshooting	22
Inspection & Service Logsheet	27
Warranty & Support Section	23 thru 26
Warranty Terms	23
Product Support & Assistance	24
Product Registration	25
Damage & Loss In Transit	25
Returns	26

General Information:

Read entire Product Manual before assembling and using this product. If you have any questions regarding the following information, please contact a Bailey Customer Service Representative at 1-800-321-8372.

Features & Specifications, Models 805, 806 & 807:

- Convertible exercise stairs assemble as either straight line or right angle configuration.
- Available in three different inside widths: 24" [Model 805], 30" [Model 806] or 36" [Model 807].
- Anti-slip safety treads on steps and platform.
- Solid hardwood triple height handrails with steel uprights allow use by both children and adults.
- Handrail heights of 18.5", 27" and 35"; overall maximum height 54", platform height 24".
- Weight capacity, 500 lbs/227 Kg.

Features & Specifications, Model 808:

- Straight single training staircase with platform, enclosed on three sides; solid hardwood double height handrails and uprights.
- Includes Bus Step.
- Handrail heights of 22" and 35".
- Anti-slip safety treads on steps and platform.
- Overall dimensions: 30" wide [inside], 55" long, 24" high platform, 59.25" maximum height. Step risers 6" x 10".
- Weight capacity 500 lbs/227 Kg..

Features & Specifications, Model 809:

- Straight single training staircase with platform, solid hardwood single height [28"] handrails and uprights.
- Includes Bus Step.
- Designed for low ceiling height clearance.
- Anti-slip safety treads on steps and platform.
- Overall dimensions: 30" wide [inside], 55" long, 12" high platform, 40" maximum height. Step risers 4" x 10" and 6" x 10".
- Weight capacity 500 lbs/227 Kg.

General Information [cont'd]:**Features & Specifications, Model 810:**

- Straight single training staircase with platform, solid hardwood double height handrails and uprights.
- Includes Bus Step.
- Handrail heights of 21" and 34".
- Anti-slip safety treads on steps and platform.
- Overall dimensions: 36" wide [inside], 96" long, 24" high platform, 59.25" maximum height. Step risers 6" x 10".
- Weight capacity 500 lbs/227 Kg.

Parts:

Your new Stairs are shipped "knocked down", with all hardware and parts included for final assembly. Refer to Figure 1 on page 7 for Model Identification. Inspect the unit carefully, immediately upon removal from packaging, to ensure that the unit is in good condition and all materials are present before starting assembly.

Note: Bailey Manufacturing Company waives any responsibility for concealed freight damage not reported within five (5) days of receiving shipment. Refer to Product Warranty and Support Section of this Manual for more information.

The following parts are supplied with these Models:

Models 805, 806, 807:

- (12) EA. Handrail Upright Post
- (2) EA. Center Handrail
- (2) EA. Short Handrail
- (2) EA. Long Handrail
- (40) EA. #1300 1/4 x 2 1/2 Hex Bolt
- (24) EA. #1450 3/8 x 3 1/2 Hex Bolt
- (4) EA. #2170 1/4 x 2 Carriage Bolt
- (4) EA. #2540 1/4 Hex Nut
- (40) EA. #2662 1/4 Domed Nut
- (4) EA. #3581 1/4 SAE Flat Washer

[continued on page 6]

Parts [cont'd from page 5]:***Model 808 Training Stairs:***

- (1) EA. Bus Step Assembly
- (6) EA. Handrail Upright Post
- (1) EA. Rear Handrail
- (2) EA. Center Handrail
- (2) EA. Side Handrail
- (4) EA. #1300 1/4 x 2 1/2 Hex Screw
- (16) EA. #1310 1/4 x 2 3/4 Hex Screw
- (12) EA. #1420 3/8 x 2 1/2 Hex Screw
- (20) EA. #2662 1/4 Domed Nut
- (20) EA. #3581 SAE 1/4 Flatwasher
- (12) EA. #3610 SAE 3/8 Flatwasher

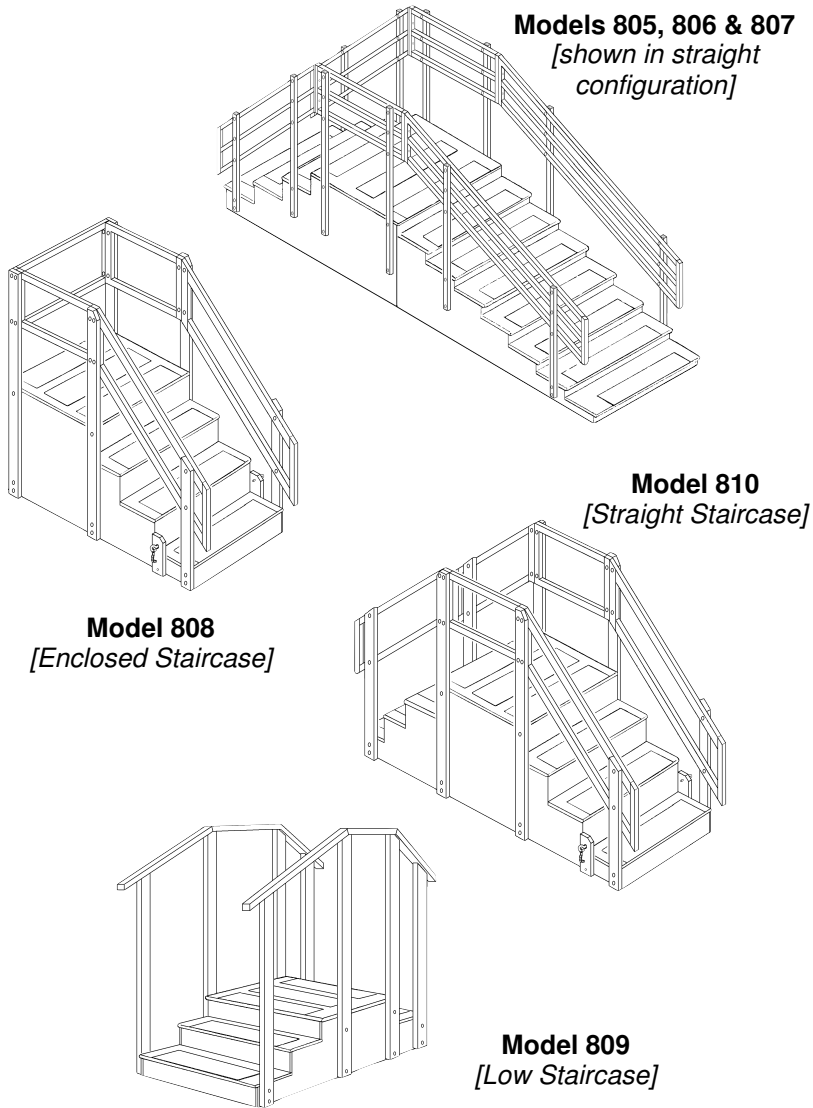
Model 809 Training Stairs:

- (1) EA. Bus Step Assembly
- (2) EA. Side Handrail Assembly
- (16) EA. #1420 3/8 x 2 1/2 Hex Screw
- (16) EA. #3600 3/8 Flatwasher

Model 810 Training Stairs:

- (1) EA. Bus Step Assembly
- (8) EA. Handrail Upright Post
- (4) EA. End Handrail
- (2) EA. Center Handrail
- (24) EA. #1310 1/4 x 2 3/4" Hex Screw
- (16) EA. #1420 3/8 x 2 1/2 Hex Screw
- (4) EA. #2170 1/4 x 2 Carriage Bolt
- (4) EA. #2540 1/4 Hex Nut
- (24) EA. #2662 1/4 Domed Nut
- (28) EA. #3581 1/4 SAE Flatwasher
- (16) FT. #3610 3/8 SAE Flatwasher

Figure 1
Model 800 Series Training Stairs Identification



Assembly:

For Stair assembly, the following minimum tools are required:

- 7/16" wrench or socket
- 9/16" wrench or socket

Assembly & Layout Notes:

Assemble Stairs in the room where they will be used. All Stairs have a platform height of 24", except the Model 809, which has a platform height of 12". ***We recommend that all 24" platform Stairs be used only in rooms with a minimum ceiling height of 10', or 120". This is to minimize the possibility of patient or therapist contact with the ceiling or any ceiling fixtures or obstructions. The Model 809 has a recommended ceiling minimum height of 9', or 108".*** The judgement of location suitability must be made by those familiar with the building construction.

CAUTION: Handling and assembling large Stair components should be done using at least two people.

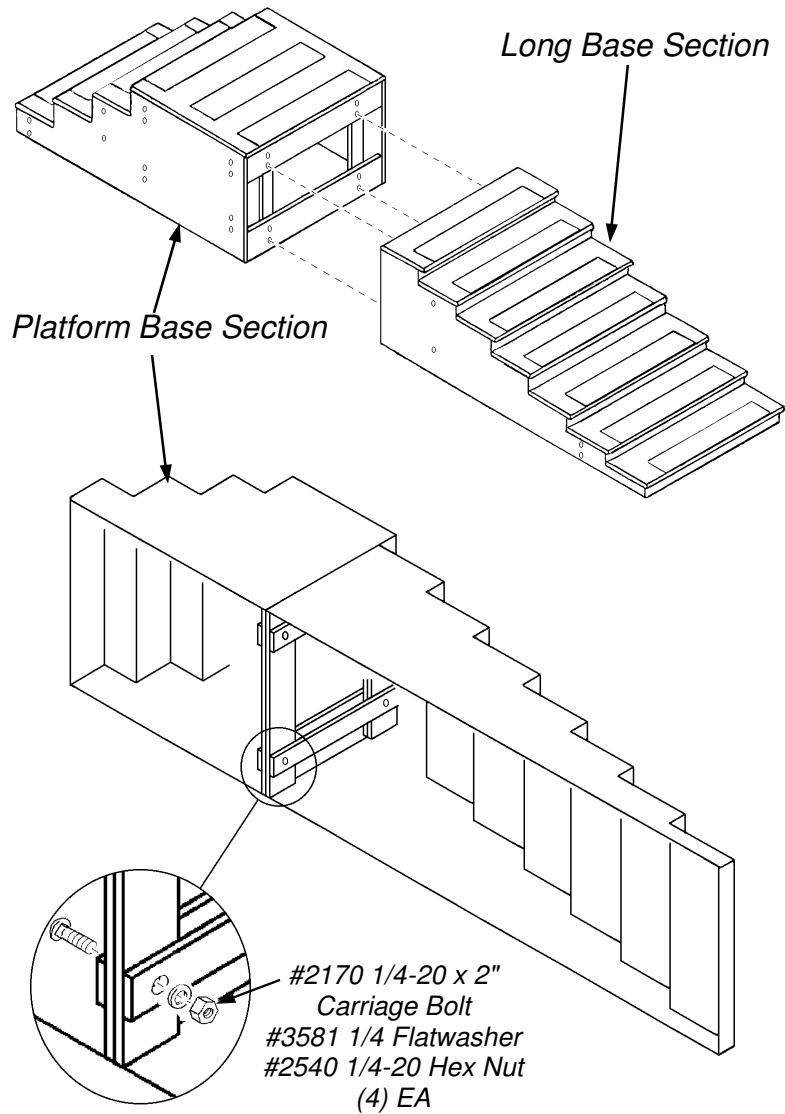
Models 805, 806, 807 :

The Stairs may be assembled in either straight [Figure 2, opposite page] or right angle [Figure 3, page 10] configurations. Base Sections must be assembled on their sides, on a protective surface such as cardboard or a carpeted floor.

Fasten Base Sections together in four locations as shown in Figure 2, opposite page [or Figure 3, page 10], using 1/4 x 2 Carriage Bolts, Flatwashers and Nuts. Ensure the Base Sections are square and aligned with each other, then tighten securely. Turn the assembled Base Section upright.

[continued on page 10]

Figure 2
Model 805, 806, 807 Base Assembly
[shown in straight configuration]



Models 805, 806, 807 Assembly [Cont.'d]:

Lay out the Upright Posts on the floor near their install locations. The Posts are marked with numbers for identification, #1 through #12. The sides of the Base Section are match marked with these number locations for each Post. When installed, the Posts will cover these numbers. Install Upright Posts to the sides of the Base Section as shown in Figure 4, opposite page, using 3/8 x 3 1/2" Hex Bolts. **Do not fully tighten the bolts at this time.** The Posts must be able to move slightly.

[continued on page 11]

Figure 3
Model 805, 806 & 807 Base Assembly
[right angle configuration only]

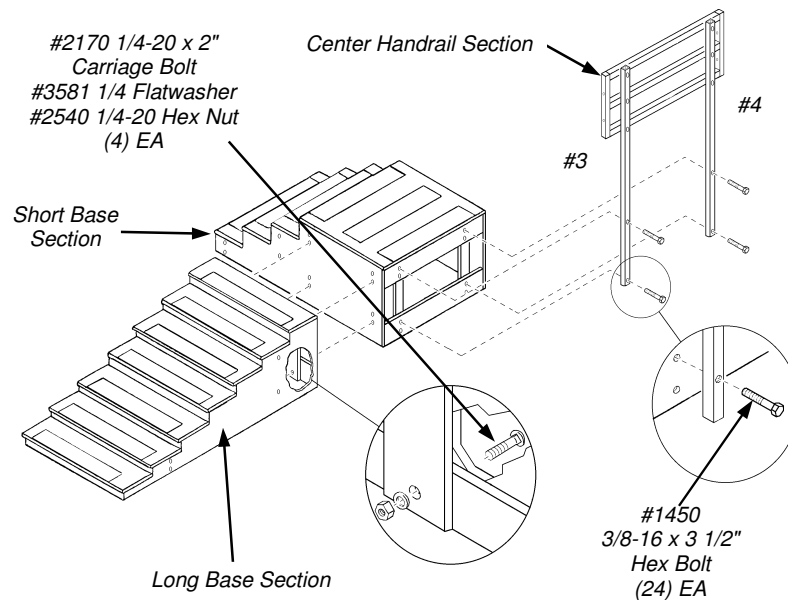
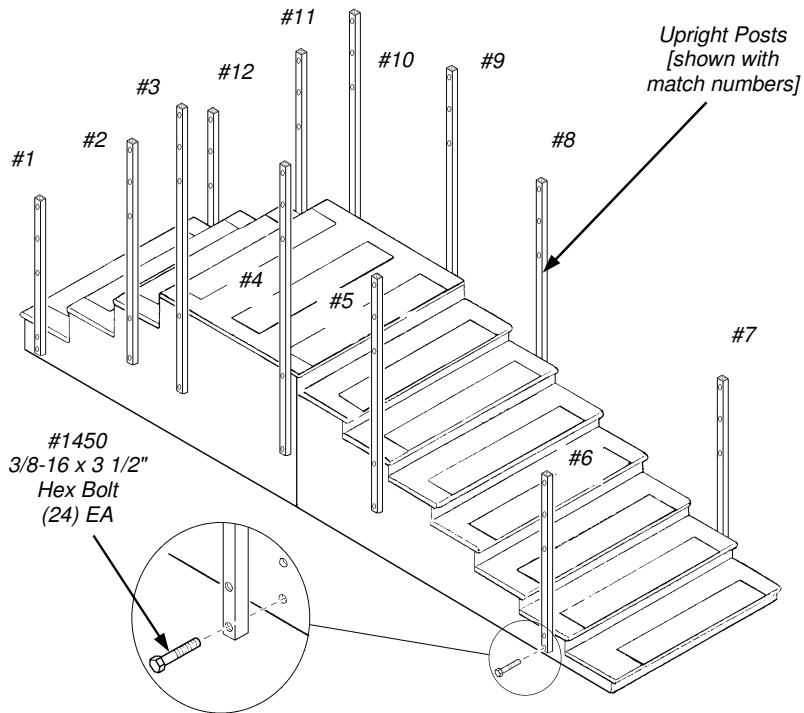


Figure 4
Model 805, 806, 807 Upright Post Assembly
[shown in straight Base configuration]



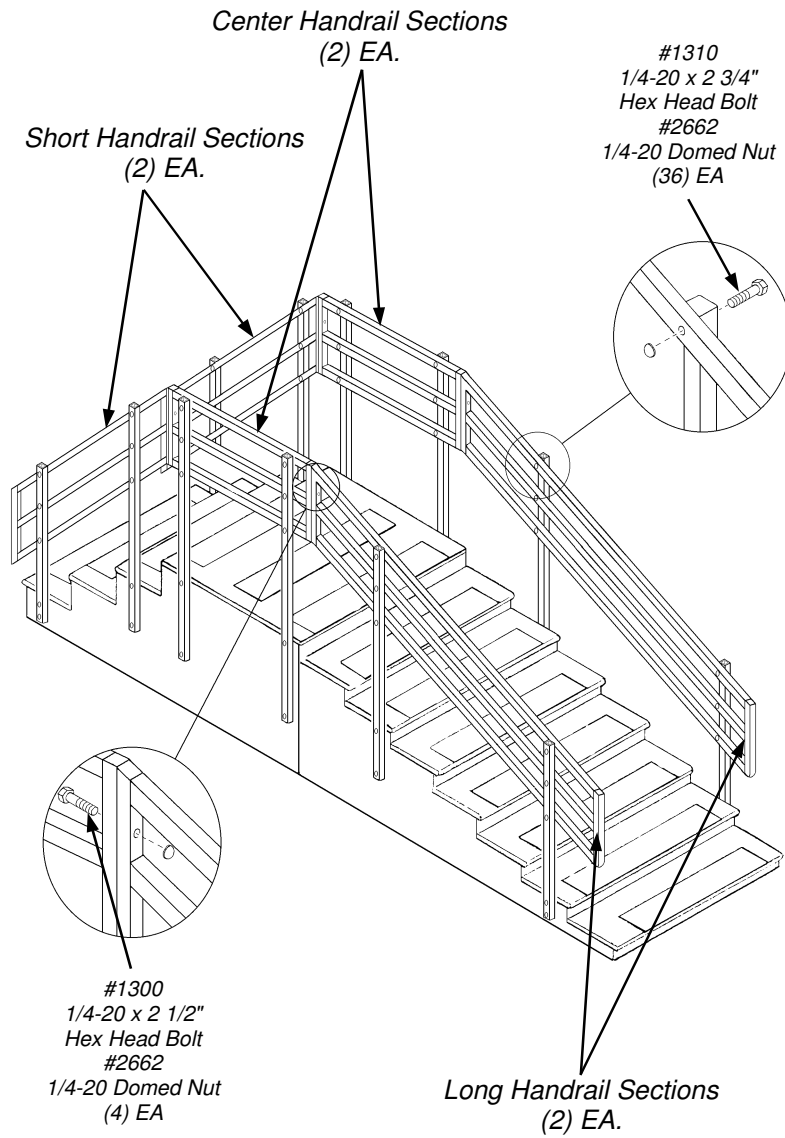
Models 805, 806, 807 Assembly [Cont.'d]:

If assembling a Right Angle configuration, the #3 and #4 Posts are located on the open Base side as shown in Figure 3, opposite page. **Do not fully tighten the bolts at this time.** The Posts must be able to move slightly.

Lay out the Handrails on the floor near their install locations. The Handrails are marked on the ends with numbers, to correspond with the nearest Upright Post. When installed, the Handrails will cover these numbers.

[continued on page 13]

Figure 5
Model 805, 806, 807 Handrail Assembly



Assembly [Cont.'d]:***Model 805, 806, 807 Assembly:***

Starting with the Center Handrail sections, attach to the Upright Posts as shown in Figure 5, opposite page, using 1/4 Hex Bolts and Domed Nuts.

*Note: Install the Domed Nuts to the **inside** of the Handrails as shown. **Use a hammer to GENTLY insert Domed Nut, or push with your thumb.***

Do not fully tighten the bolts at this time. The Handrails must be able to move slightly.

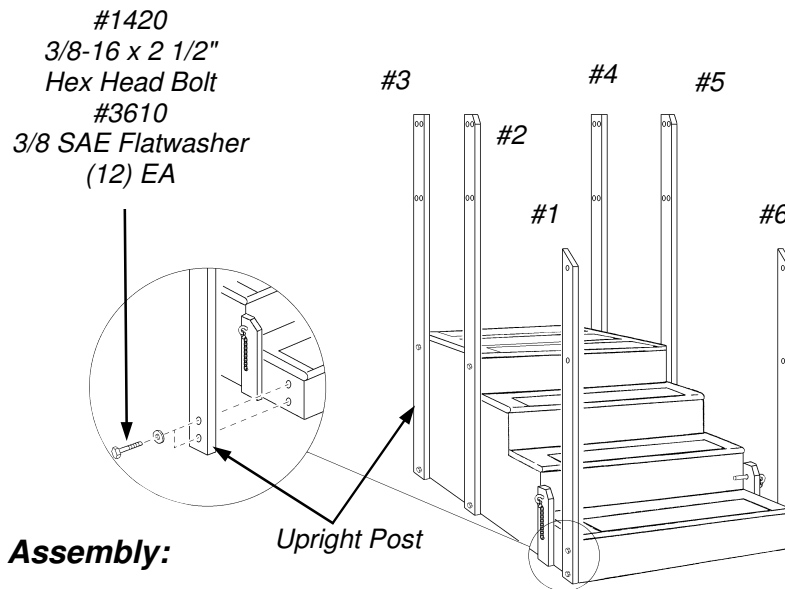
Attach all Handrail sections to Posts in the same manner.

Connect the Center Handrail sections to the adjoining Handrails using the same Hex Bolts and Domed Nuts. Install Domed Nuts on the slanted Handrail side to make wrench access easier. Align Handrails to be straight and square to each other, and tighten these Bolts securely.

Tighten all Handrail to Post Bolts first, then tighten all Post to Base Bolts securely.

Check all components for proper alignment and fit. Loosen and readjust as necessary. Review Operation and Safety sections before placing unit into service.

Figure 6
Model 808 Upright Post Assembly



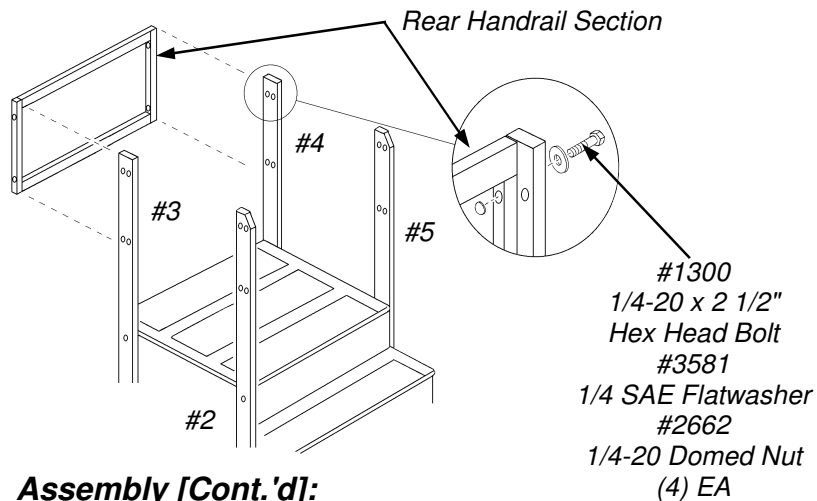
Assembly:

Model 808:

With the Base Section upright, lay out the Upright Posts on the floor near their install locations. The Posts are marked with numbers for identification, #1 through #6. The sides of the Base Section are match marked with these number locations for each Post. When installed, the Posts will cover these numbers. Install Upright Posts to the sides of the Base Section as shown in Figure 6, above, using 3/8 x 2 1/2" Hex Bolts and Flatwashers. **Do not fully tighten the bolts at this time.** The Posts must be able to move slightly.

Lay out the Handrails on the floor near their install locations. The Handrails are marked on the ends with numbers, to correspond with the nearest Upright Post. When installed, the Handrails will cover these numbers.

Figure 7
Model 808 Rear Handrail Assembly



Assembly [Cont.'d]:

Model 808:

Starting with the Rear Handrail section, attach to the Upright Posts as shown in Figure 7, above, using 1/4 x 2 1/2" Hex Bolts, Flatwashers and Domed Nuts.

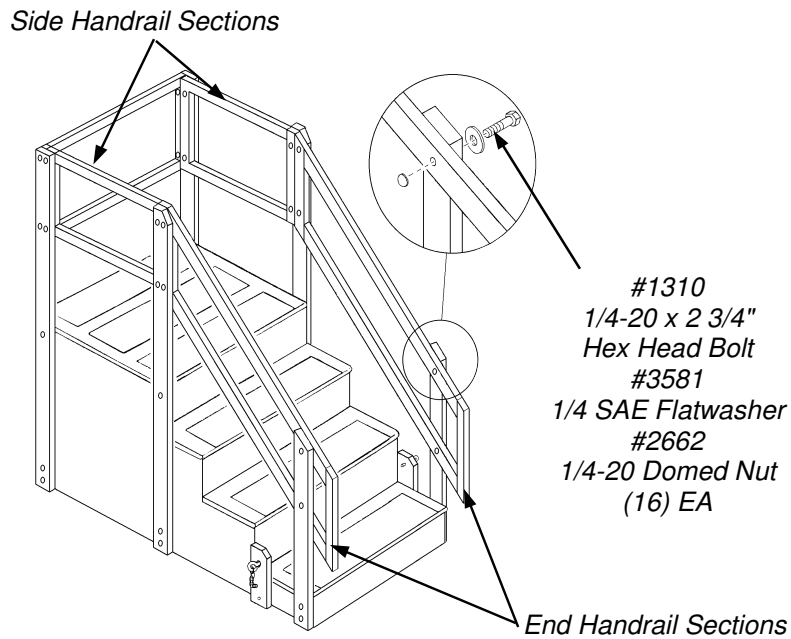
*Note: Install the Domed Nuts to the **inside** of the Handrails as shown. **Use a hammer to GENTLY insert Domed Nut**, or push with your thumb.*

Do not fully tighten the bolts at this time. The Handrails must be able to move slightly.

Continuing with the Side Handrail sections, then the End Handrail sections, attach to the Upright Posts as shown in Figure 8, page 16, using 1/4 x 2 1/2" Hex Bolts, Flatwashers and Domed Nuts. **Do not fully tighten the bolts at this time.** The Handrails must be able to move slightly.

[continued on page 16]

Figure 8
Model 808 Handrail Assembly



Assembly [Cont.'d]:

Model 808:

Align Rear and Side Handrails to be straight and square to each other, and tighten the four Rear Handrail Bolts securely.

Align and tighten remaining Handrail to Posts Bolts next, then tighten all Post to Base Bolts last.

Check all components for proper alignment and fit. Loosen and readjust as necessary. Review Operation and Safety sections before placing unit into service.

Assembly [Cont'd]:**Model 809:**

The Handrail assemblies are shipped with a brace that must be removed prior to using the Stairs [see Figure 9, below]. Leave this brace attached until all fasteners are installed.

Align each Handrail Assembly to the Base section, and attach using 3/8 x 2 1/2" Hex Bolts and 3/8 Flatwashers as shown. Start each Bolt on each side, and **do not tighten down completely**. Remove the screws holding the shipping and assembly Brace to the bottom of the Handrail Posts. This brace may then be discarded.

Tighten all Handrail to Base Bolts securely. Review Operation and Safety sections before placing unit into service.

Figure 9
Model 809 Assembly

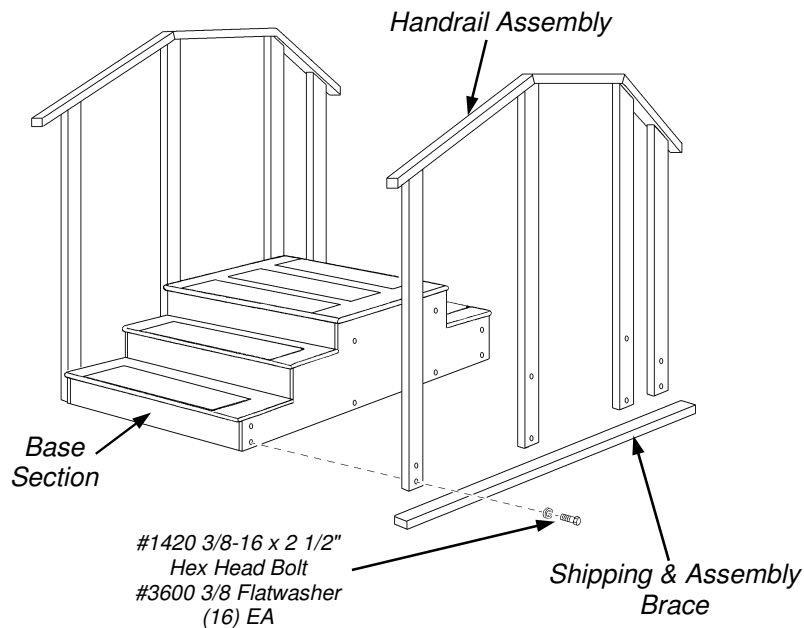
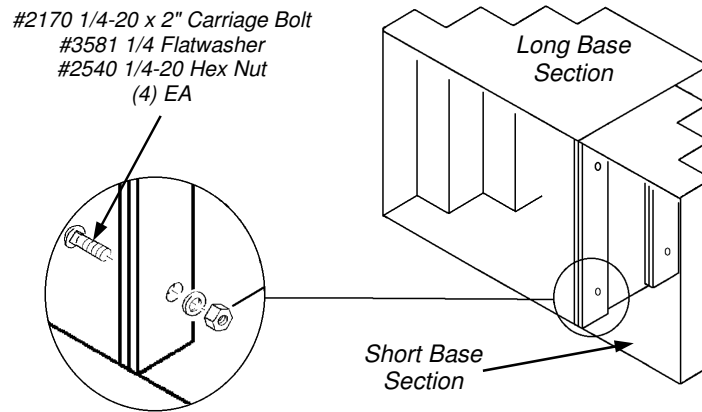


Figure 10
Model 810 Base Assembly



Assembly [Cont'd]:

Model 810:

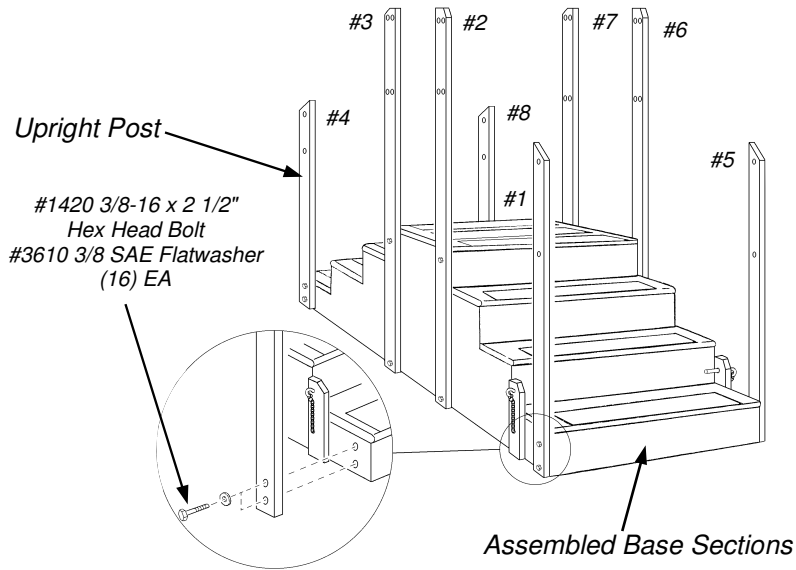
Base Sections must be assembled on their sides, on a protective surface such as cardboard or a carpeted floor.

Fasten Base Sections together in four locations as shown in Figure 10, above, using 1/4 x 2 Carriage Bolts, Flatwashers and Nuts. Ensure the Base Sections are square and aligned with each other, then tighten securely. Turn the assembled Base Section upright.

Lay out the Upright Posts on the floor near their install locations. The Posts are marked with numbers for identification, #1 through #8. The sides of the Base Section are match marked with these number locations for each Post. When installed, the Posts will cover these numbers. Install Upright Posts to the sides of the Base Section as shown in Figure 11, opposite page, using 3/8 x 2 1/2" Hex Bolts and Flatwashers. **Do not fully tighten the bolts at this time.** The Posts must be able to move slightly.

[continued on page 19]

Figure 11
Model 810 Upright Post Assembly



Assembly [Cont'd]:

Model 810:

Starting with the Center Handrail sections, attach to the Upright Posts as shown in Figure 5, opposite page, using 1/4 x 2 3/4" Hex Bolts and Domed Nuts.

*Note: Install the Domed Nuts to the **inside** of the Handrails as shown. Use a hammer to GENTLY insert Domed Nut, or push with your thumb.*

Do not fully tighten the bolts at this time. The Handrails must be able to move slightly.

Attach all Handrail sections to Posts in the same manner.

[continued on page 20]

Assembly [Cont. 'd]:**Model 810:**

Connect the Center Handrail sections to the adjoining Handrails using the same Hex Bolts and Domed Nuts. Install Domed Nuts on the slanted Handrail side to make wrench access easier. Align Handrails to be straight and square to each other, and tighten these Bolts securely.

Tighten all Handrail to Post Bolts first, then tighten all Post to Base Bolts securely.

Check all components for proper alignment and fit. Loosen and readjust as necessary. Review Operation and Safety sections before placing unit into service.

Figure 12
Model 810 Handrail Assembly

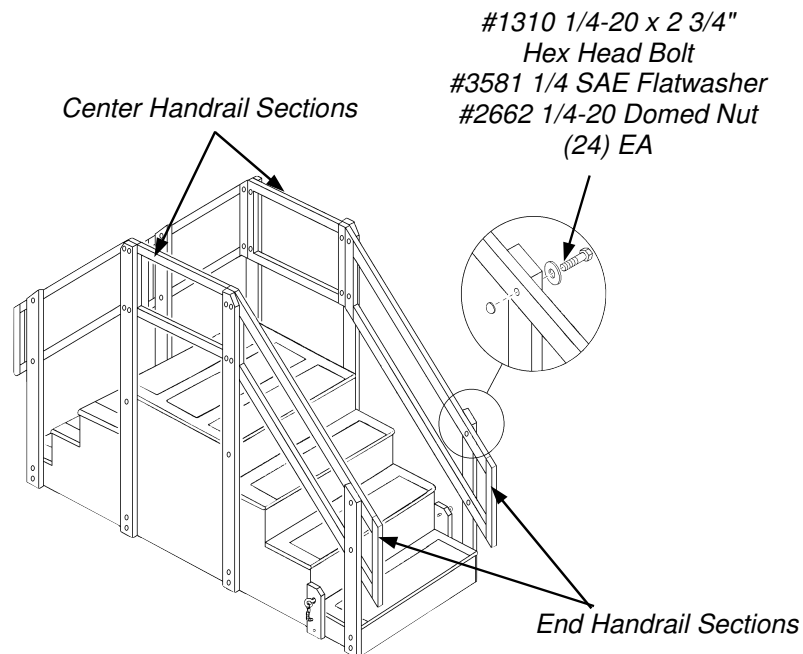
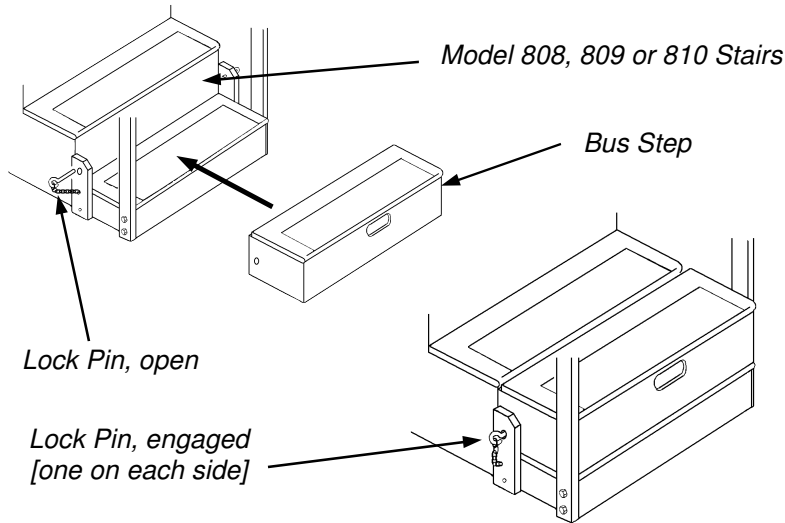


Figure 13
Model 800 Bus Step Operation



Operation:

Model 800 Series Bus Step [Models 808, 809 and 810 Stairs only]:

Using the center handle recess in the front of the Bus Step, lift and place it on the first step of the Stairs, which has the Lock Pin installed on each side. Lock the Bus Step in place by inserting the Lock Pins through the Lock Blocks and into the hole in each side of the Bus Step.

Safety:

Be safe! All Bailey Stairs are equipped with anti-slip tread surfaces, and are designed for safety and ease of use. Periodically check and retighten fasteners on Posts and Handrails as necessary.

Maintenance & Cleaning:

Regularly inspect components for wear and proper adjustment. Should the unit need attention, remove from service until the unit is returned to its original condition. A convenient Inspection and Service Logsheet is provided on page 27 for recordkeeping.

To help keep your product in good condition, clean as required using **abrasive free** and **solvent free** products. Test any cleaner or disinfectant on a small, inconspicuous location before using. Discontinue use if surface softens, discolors, or loses gloss.

Never use any cleaners or disinfectants containing harsh solvents on product surfaces. Check their Material Safety Data Sheet and consult the manufacturer with any questions. Some chemicals will severely shorten the life of your plastic parts and lacquer coated wood finishes.

For light soiling, we recommend liquid dish soap and water, or liquid cleanser and water applied sparingly with a soft bristle brush. For difficult stains or disinfection, use a solution of 10% household bleach [sodium hypochlorite] and 90% water applied sparingly with a soft white cloth. Rinse with water dampened cloth to remove any remaining soap, cleanser or bleach solution.

Troubleshooting:

Your new Training Stairs will provide years of reliable service. In the event the device does not function correctly, inspect all components for tightness and proper condition.

For detailed information or component replacement, contact Bailey Customer Service at the number on this page. **Have your date of purchase and Bailey Dealer information handy for faster service.**

Five Year Limited Warranty:

Bailey Manufacturing Company warrants the products we manufacture to be free of defects in materials, workmanship, or design under normal use and service conditions for five years after the date of original purchase (two years for Bailey Basics). Resale products and components manufactured by others will carry the warranty of the manufacturer. If the product and/or equipment should become defective within the designated warranty period, Bailey Manufacturing Company will repair or replace it (at our option) free of charge, including return transportation to you, provided you deliver the equipment or product prepaid to Bailey Manufacturing Company at 118 Lee Street, Lodi, Ohio 44254. Please receive "authorization" before returning product to the factory, as Bailey Manufacturing Company will not accept collect shipments. Bailey Manufacturing Company reserves the right to repair or replace component parts without return of the entire unit.

This warranty does not include damage resulting from accident, abuse, or misuse of the product and expressly excludes normal wearing of parts or defect caused by transportation, accident, fire, flood, alteration, or negligence.

Bailey's warranty liability is limited to that stated above; other than the warranty stated above, there are no warranties expressed or implied. Bailey will have no responsibility for consequential or incidental damages.

Product Support:

Bailey Manufacturing Company is totally committed to producing the finest quality physical, occupational, and sports medicine products. Our goal is your total satisfaction. If you experience any problems, please feel free to contact a Bailey Customer Service Representative at 1-800-321-8372 between the hours of 8:30 AM and 4:30 PM Eastern Time weekdays.

The following information is provided to help ensure that your experience with Bailey is a positive one. Please read this information carefully before you unpack or begin assembly.

If You Need Assistance:

To provide the best possible service to our customers and dealers, warranty claims should be made directly to Bailey. Since Bailey is in the best position to solve the customer's problem, it will speed up the process and help ensure total customer satisfaction. Should you encounter any problem with our products or services, please contact a Bailey Customer Service Representative at 1-800-321-8372 between the hours of 8:30 AM and 4:30 PM Eastern Time, weekdays. Please have the date of purchase and Bailey dealer information recorded inside the front cover of this manual, or a copy of your packing list available to help our customer service representative provide you with the fastest service. In most cases, you will also want to notify your dealer to enable them to provide any further assistance.

Registration:

Product registration will be accomplished through the use of the enclosed Product Registration Form. *Please take time to complete this Form and return it to Bailey.* We also ask that you answer a few simple questions concerning our products and services. Our goal is your total satisfaction, and this information will be used to improve our products and services for you...the customer. *Please take a moment to record your purchase inside the front cover of this manual. Note the date and the name of your Bailey dealer.*

Damage or Loss in Transit:

All of our equipment is thoroughly inspected and carefully packed before leaving our plant. It is receipted for by the carrier as having been shipped in good condition. Any loss or damage which occurs to the equipment in route will be solely through negligence of the carrier and all claims must be filed directly with the carrier. Important; If a shipment is delivered to you in a visibly damaged condition or in a quantity that is less than is enumerated on the Bill of Lading or delivery receipt, insist on a notation of this damage or shortage by the delivering carrier's agent on the delivery receipt or freight bill. When a shipment has been delivered to you in apparent good condition, but upon opening the containers or crate, damage is discovered, notify the delivering carrier immediately upon discovery. This notification must be made within 5 days of receipt of the shipment. Insist upon an inspection and inspection report. You must retain all packaging, including the carton or crate in which the damaged item was shipped, until inspection has been made. All claims must be made by you, the consignee, directly to the carrier or its agents.

Returns:

Merchandise to be returned **must** have proper authorization. Please contact your dealer for assistance with this procedure. A reference (return authorization or RA) number is to be clearly marked on all cartons and correspondence. Freight charges are to be prepaid, as collect shipments are not accepted. Items must be in the original packaging and returned within 30 days of the invoice date. Returns that are **not** the result of a warranty claim are subject to a restocking fee of 20% to cover inspection and handling. Any damage due to use, mishandling, or improper packing of the return will be noted and deducted from the credit issued. Special order items may not be returned for credit. Bailey Customer Service Representatives will complete a "Returned Merchandise Information" form to clearly identify all information concerning the returned merchandise.

Specifications:

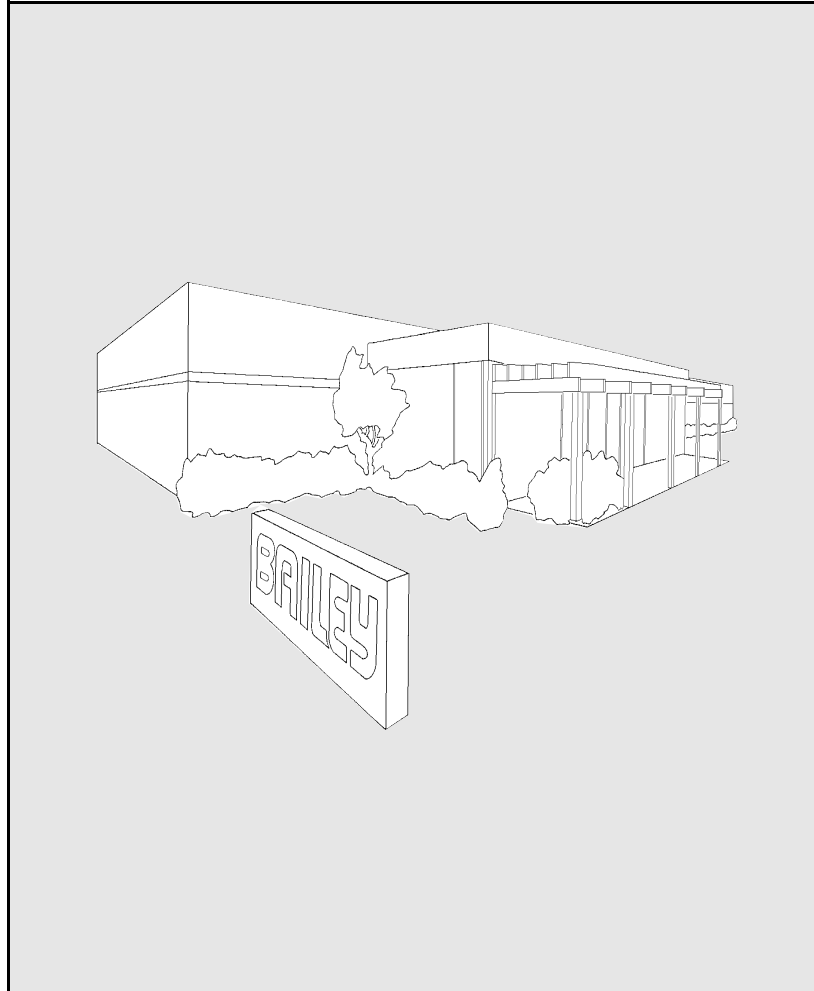
Due to continuous improvements in design, materials, and construction techniques, specifications in the Bailey catalog are subject to change without notice. In all cases, the equipment shipped will be of equal or superior quality. Bailey Manufacturing Company also reserves the right to discontinue the manufacture of any product at such time as we consider necessary.

Customer Service:

When service is required, it is nearly impossible to place a value on it. For that reason we have an extremely competent Customer Service Department available to assist you with answers to your questions or recommendations in your planning process. In the unlikely event that a product may be in need of repair, our staff will assist with prompt identification of the required replacement part. Have the date of purchase and the name of your Bailey dealer handy for reference. Please contact us at 1-800-321-8372 between the hours of 8:30 AM and 4:30 PM Eastern Time weekdays for assistance.

Inspection & Service Logsheet

<i>DATE</i>	<i>BY</i>	<i>DESCRIPTION</i>



BAILEY

BAILEY MANUFACTURING COMPANY
800-321-8372 • FAX: 800-224-5390
Mail: P.O. Box 130, Lodi, OH 44254-0130
Shipments: 118 Lee St., Lodi, OH 44254