

# BAILEY

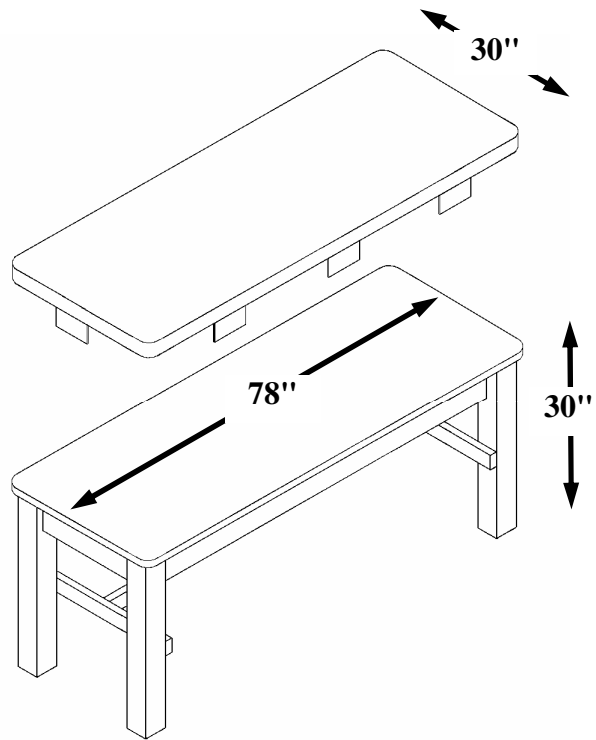
## Model 487 Classroom Treatment Table w/ Removable Mat



Shown w/ Mat



Shown w/o Mat



### ***University & College Health Sciences*** **Classroom Health Training Equipment**

- Model 487 Classroom Version H-Brace Treatment Table.
  - Solid Hardwood and Birch Plywood construction, Natural Finish.
  - 22" chair clearance standard, optional heights available.
  - "English Oak" Laminated Top w/ radius corners.
  - Removable Mat w/ Hook & Loop attachment, 2" thick vinyl covered mat with high-density foam, Imperial Blue standard color.
  - Table size 30"W x 78"L x 30"H; optional sizes, vinyl colors, and Sherwin Williams wood stain colors are available, ask for current custom pricing!
  - Requires on site assembly.
-