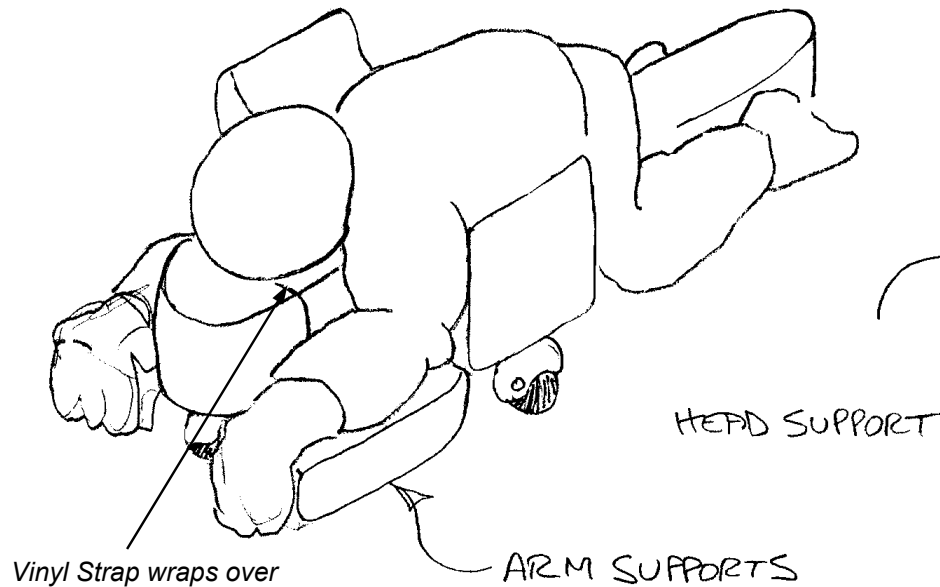


BAILEY

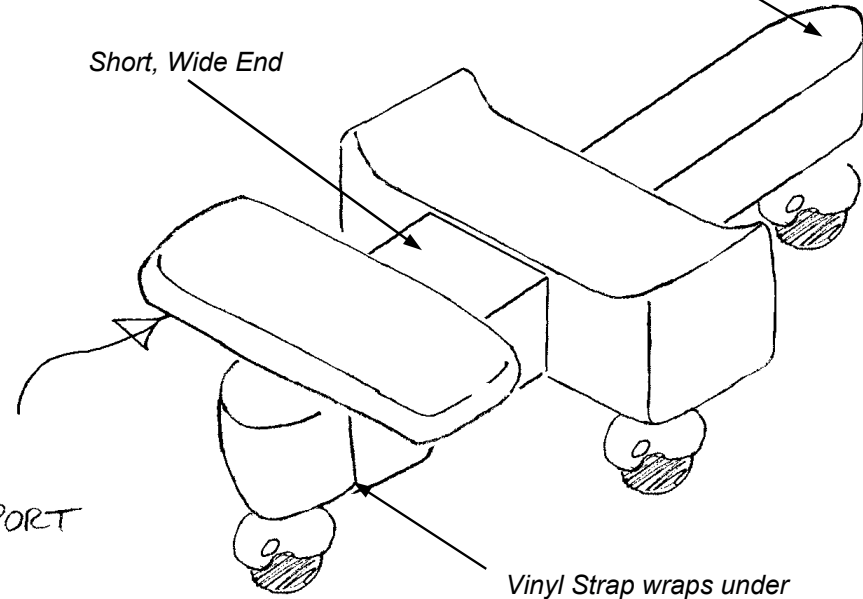
Model 2450 Mobility Crawler Operating Instructions

*Model 2450 with Arm Supports
[in use]*



Long, Narrow End

Short, Wide End



Model 2450 with Head Support installed

The Model 2450 Child's Mobility Crawler helps small children [less than 60 lbs.] encourage muscular coordination. It may be used with or without the Arm or Head Supports.

To install either type of support [but not both at the same time], wrap the vinyl straps around the shorter wider Head End, and secure with Velcro attachment as shown in diagrams above.