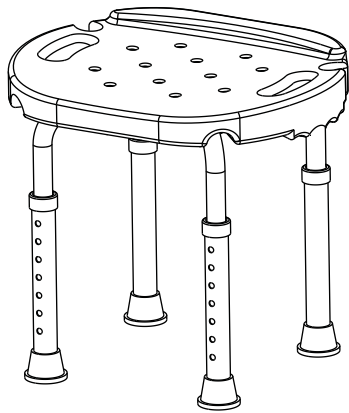
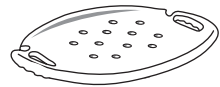
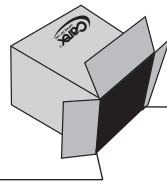


Carex[®]
caring for you

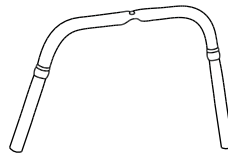


B650

Installation Instructions



Seat x 1



U Bar x 2
Labeled "1"
and "2"



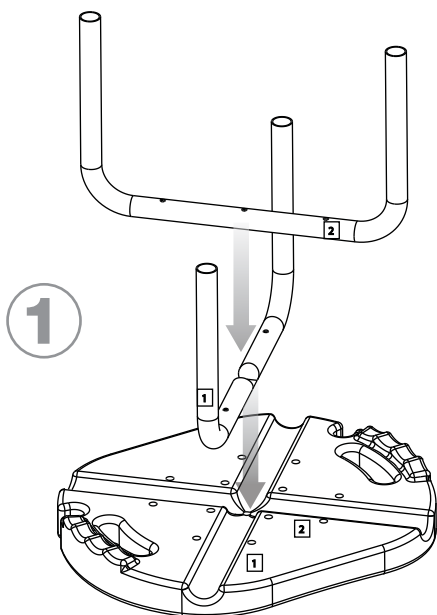
Leg Extensions x 4



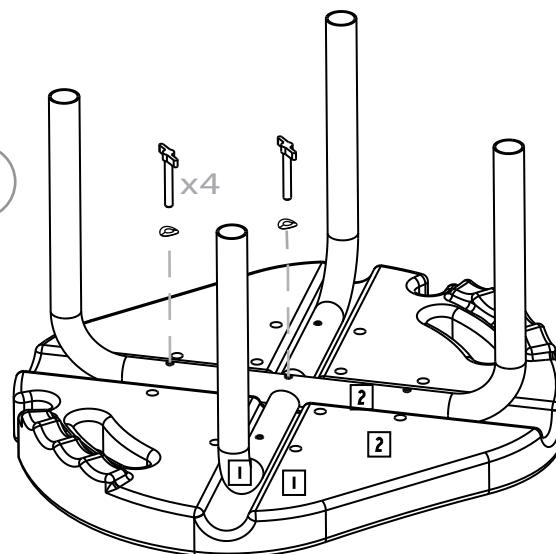
Washer x 5



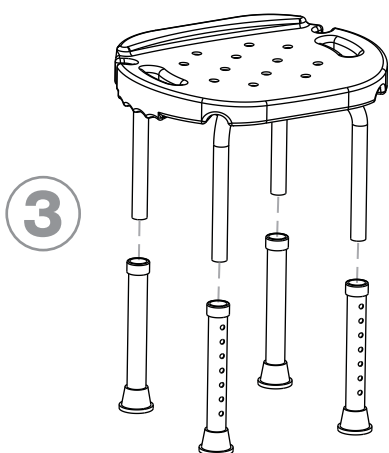
Screws x 5



2

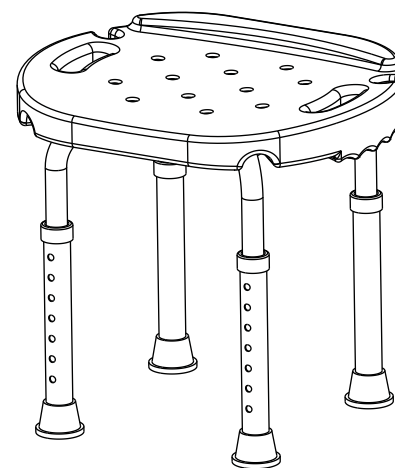


Tighten the middle medium screw. Periodically check to assure that all screws remain tight.



4

Check for stability.
Assure all pins are in place.
Place in shower or bath.
Periodically check to assure that all screws remain tight.



Carex Health Brands



Carex Health Brands

All Rights Reserved
© 2012 Carex Health Brands
42-B65000_05

Final Trim Size: 8.5" X 11"

COLOR

BLACK

Paper: 100gsm Wood-free