

Bed Serial # _____



BB Beds by George, Inc.®

Assembly Instructions

Semi Electric

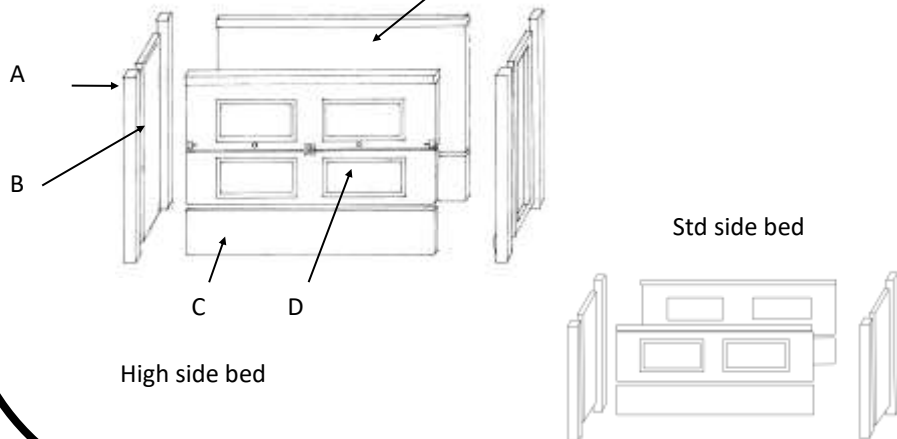
Dream and Slumber Series

Tools Needed

- Socket Set
- Cordless Drill w Phillips bit and Square bit
- Allen Wrench set

Parts Callout

- A. Corner Post
- B. Headboard/Footboard
- C. Side Rail
- D. Door
- E. Back Panel (or 2nd door)



How to Use These Instructions

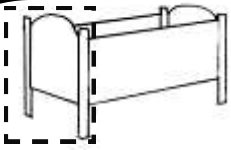
This is a universal set of standard instructions for the models indicated below. Some steps apply to all models. Some pages will have steps that are unique to specific models. Read the headings to see which step applies to the unit you are assembling.

Remember NOT EVERY STEP applies to every unit.

George's hints are designed to make the process a little easier. If at any time you have questions, feel free to call us.

Models Covered by These Instructions

	Fixed Height, Fixed Head		Fixed Height, Adj Head	
Find the pages that contain instructions for model selected to the right.	◇ 1000	100	◇ 1500	150
	◇ 1200	120	◇ 1700	170
	◇ 2000		◇ 2500	
	◇ 2200		◇ 2700	
	Adj Height, Full Articulation (electric)			
	◇ 1800	180		
	◇ 1900	190		

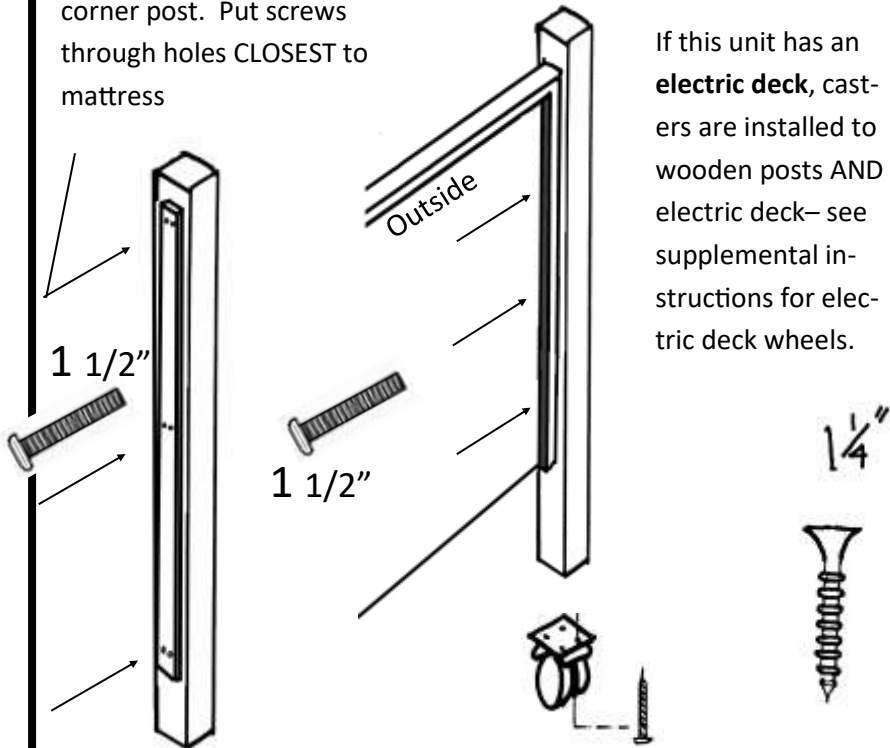


Step 1

Head and Foot assembly ALL beds

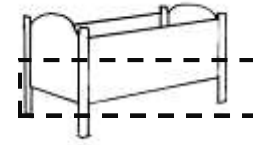
If bed has foam pads, install spacer bar on each corner post. Put screws through holes CLOSEST to mattress

If this unit has an **electric deck**, casters are installed to wooden posts AND electric deck— see supplemental instructions for electric deck wheels.



George's Helpful Hints

- ◆ If unit has casters, install AFTER posts attached!

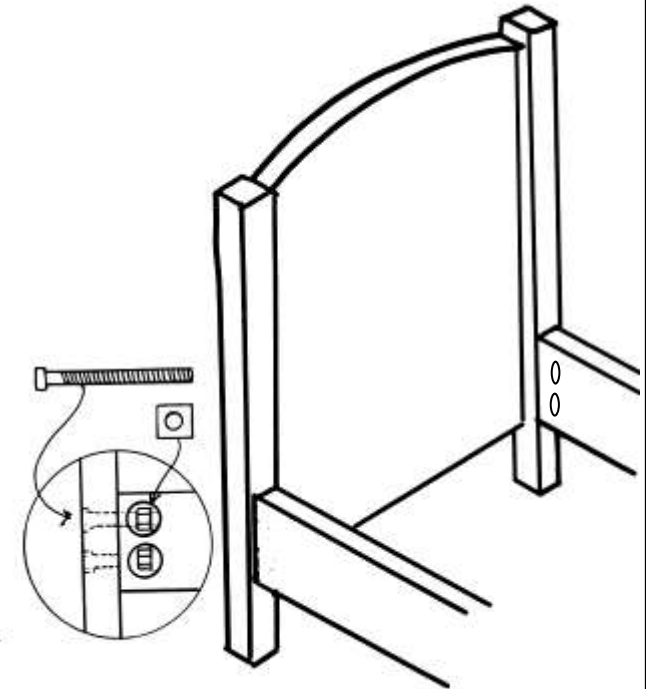


Step 2

Side rail assembly ALL beds



5" bolt

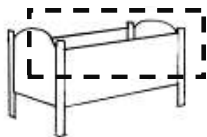


George's Helpful Hints

- ◆ Don't completely tighten until door is installed
- ◆ Electric units build around electric deck and will have cover plate over top bolt hole

STANDARD BED

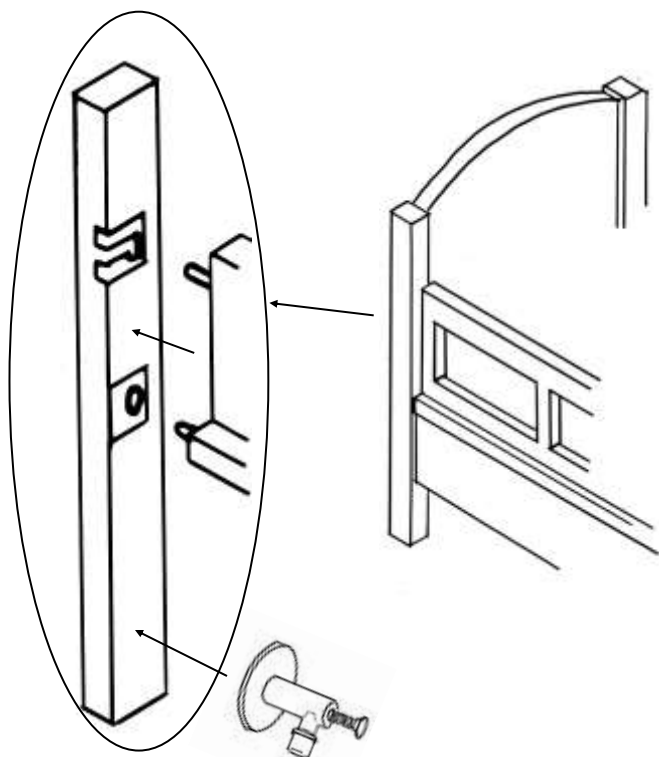
Step
3



Models

1000	100
1500	150
1800	180
2000	2500

Door Assembly for STANDARD bed

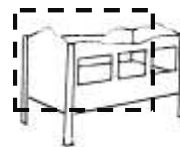


George's Helpful Hints

- ◆ Tighten corner post bolts after doors in place
- ◆ Square up bed frame

HI SIDE BED

Step
3



Models

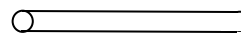
1200	120
1700	170
1900	190
2200	2700

Door & Back Assembly for HI SIDE bed

Door Install



Bushing



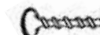
5" steel rod



Back Panel Install



1/2"



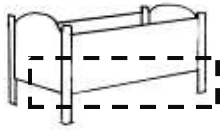
1 1/4"



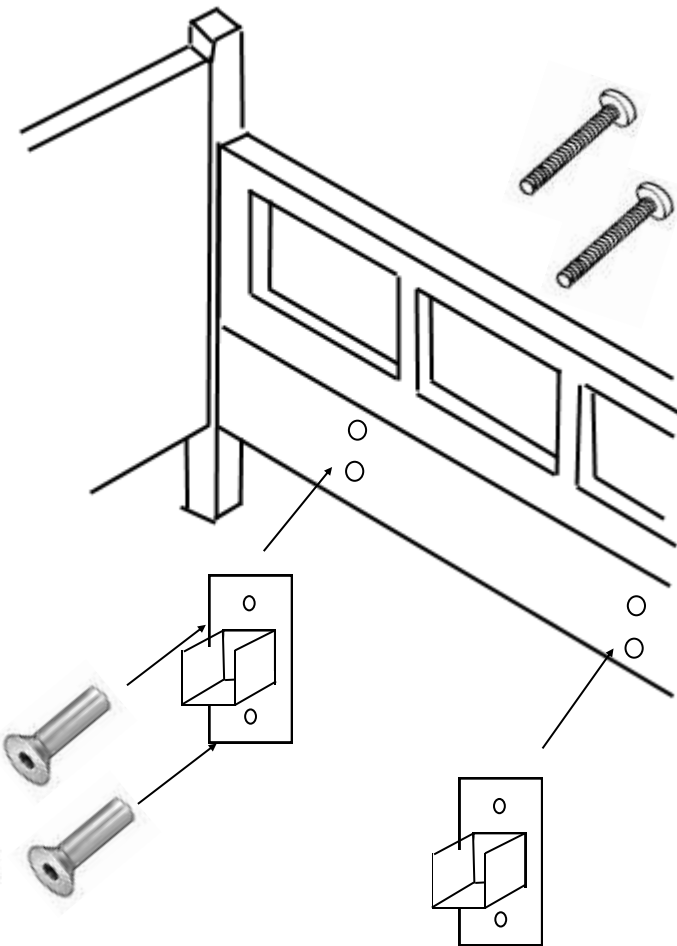
George's Helpful Hints

- ◆ Bushing goes between door / corner post
- ◆ Discard wood spacer in track, if present
- ◆ Tighten bolts and square up bed frame
- ◆ Adjust nuts on top door pivot to center door

Step
4

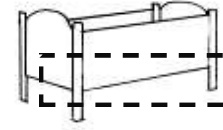


Deck support for SEMI electric beds



Continue to Step 5

Step
5



Deck support for SEMI electric beds

Follow instructions provided
with semi electric deck for
deck assembly



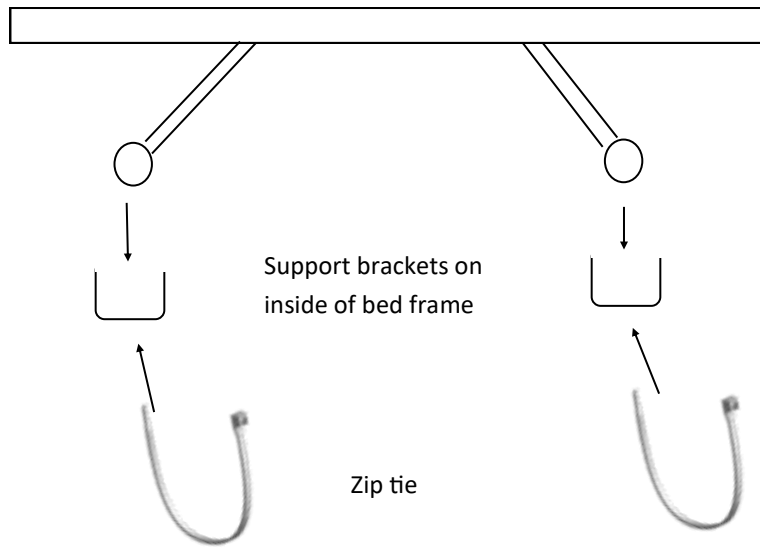
Continue to Step 6

Step 6

Models

Installing Sleep Deck

Assembled semi electric deck



Support brackets on inside of bed frame

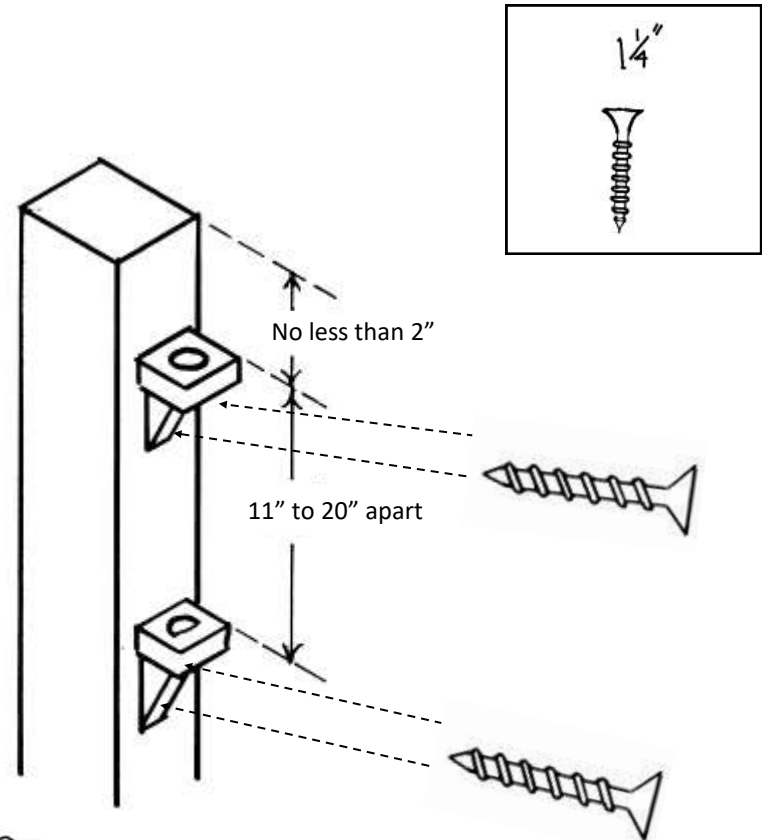
Zip tie



George's Helpful Hints:

- ◆ Do not tighten zip tie to the point that the leg cannot freely rotate
- ◆ **COMPLETE**

Accessory: IV Pole



George's Helpful Hints:

- ◆ Pre-drill holes in post
- ◆ Bracket with half circle goes on bottom
- ◆ **COMPLETE**