

Haven Bed

Assembly Instructions

Model _____

Serial Number _____



1

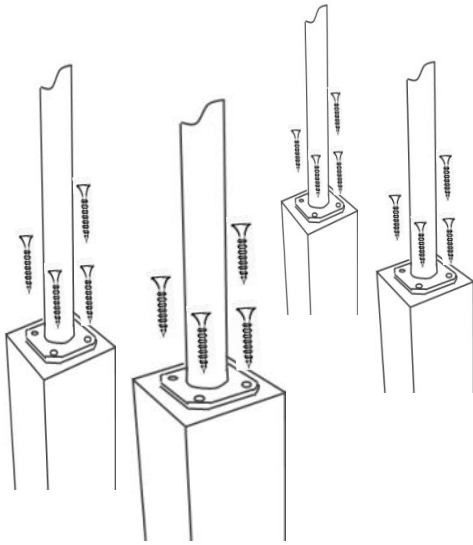


or



All beds have either casters or adjustable feet. Attach whichever is provided to bottom of corner posts.

2



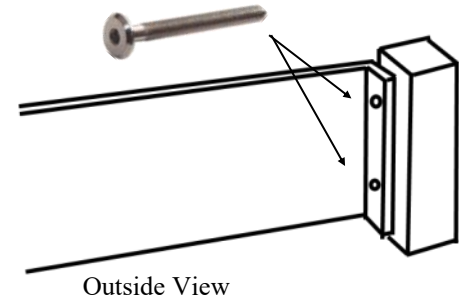
Attach aluminum poles to top of corner posts



3

Attach wood sides to corner posts using flat head 1 1/4 bolts.

DO NOT TIGHTEN until metal poles in place



Slide cast aluminum brackets onto poles. Do NOT tighten set screws yet.

Install poles into brackets

Tighten flat head bolts



4



Install top corner brackets as shown.

Install remaining pipe into brackets

Do NOT tighten set screws yet



6

Remove adhesive loop side of Velcro from the top flaps of the fabric. Attach to top horizontal poles.

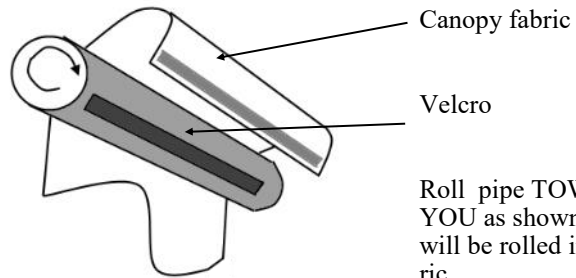


Attach top fabric flaps to Velcro on pipes as shown.



Three sides installed, ready for the last side

NOTE THE DIRECTION THE FABRIC SHOULD ROLL



Canopy fabric

Velcro

Roll pipe TOWARDS YOU as shown. Velcro will be rolled inside fabric

After rolling fabric until snug, tighten set screws



7

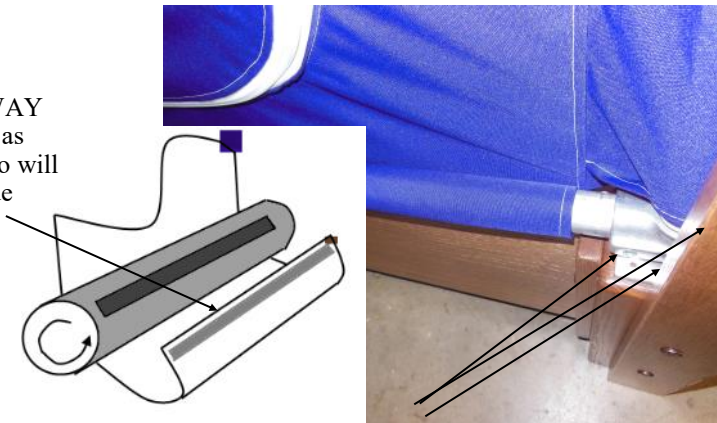
Remove adhesive loop side of Velcro from the bottom flaps of the fabric. Attach to top horizontal poles.



Attach bottom fabric flaps to Velcro on pipes as shown.



Roll pipe AWAY FROM YOU as shown. Velcro will be rolled inside fabric



After rolling fabric until snug, tighten set screws

8

Unzip door

On the corners there are two flaps, a long and a short.

Wrap short flap around pole and hold in place.

Wrap longer flap the other way around pole and attach to Velcro sewn to canopy.

Re-zip the door ensuring the fabric is taut but not to the point that the zipper won't close.

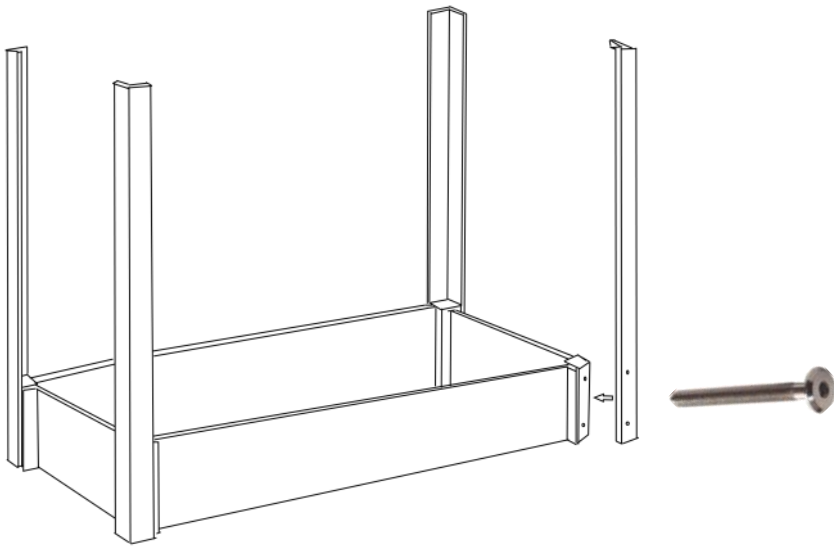




9

NOTE: if this bed has external padding, install those now — see additional instructions.

Attach vertical wood shroud to corner posts with flat head bolts



10

Attach top pieces of wood shroud using flat head bolts



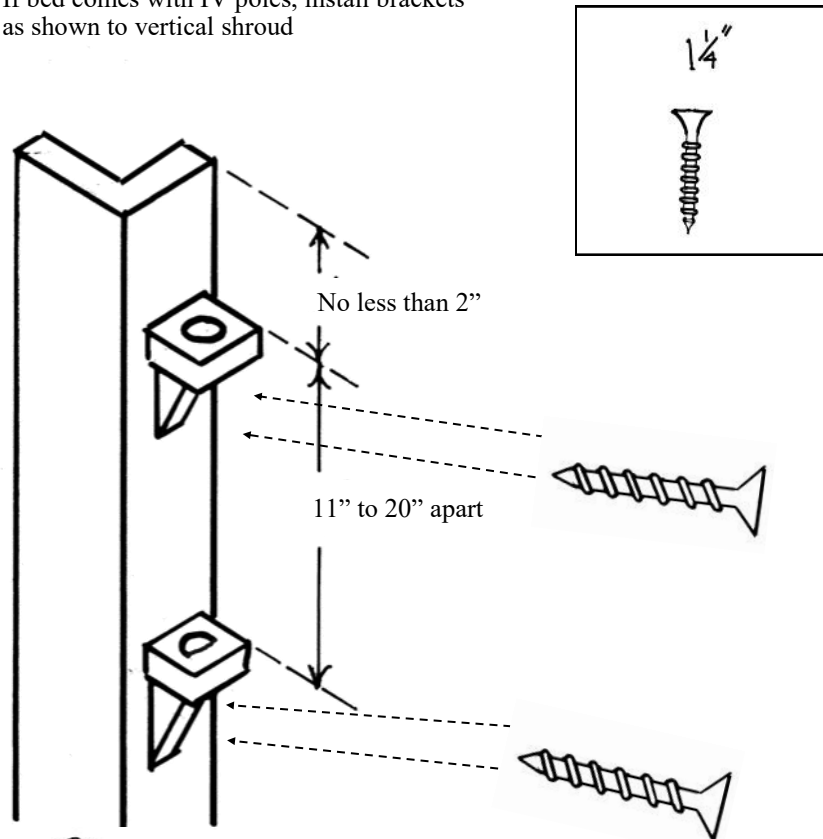
11

Final step, install the mattress

Bed assembly complete

Accessory: IV Pole

If bed comes with IV poles, install brackets as shown to vertical shroud



George's Helpful Hints:

- ◆ Bracket with half circle goes on bottom
- ◆ **COMPLETE**

Closing notes:

While the fabric does not stretch, it will relax or shift over time. We recommend the sides are tightened as needed by releasing the set screw and rolling the fabric until the side becomes taut again, then retighten the set screw.

It may be necessary to remove top wood shroud for tightening.

Failure in keeping the fabric taut, overtightening the fabric or the set screw can result in poor performance or damage to the bed.