

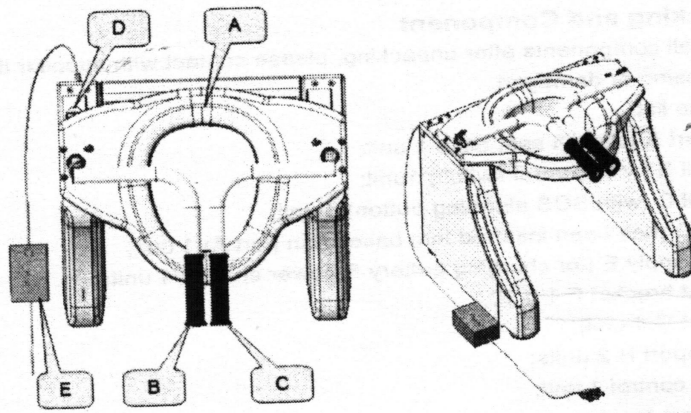


Dignity Lifts - DL1 Assembly Instructions

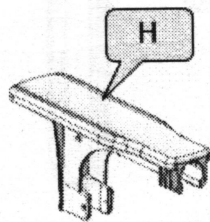
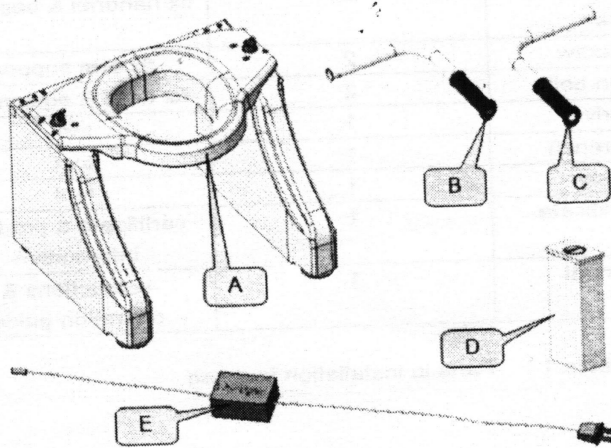
**DignityLifts - A Division of PriveCo
352 Oliver Dr.
Troy, MI 48084**

What is Included In The Box:

1	Dignity Lift Base (item A in the illustration) (your battery, item D, is already installed in the base)
1	Right Handle (Item B - It has the switch)
1	Left Handle (Item C - no switch)
2	Arm Rests (item H)
1	Power Supply / Battery Charger (item E)
4	Allen head screws with washers (for handles)
2	Expansion bolt and toilet bracket assemblies (used to attach the base to your toilet)
1	Screw driver
1	Allen wrench
1	Assembly manual (you are reading it)

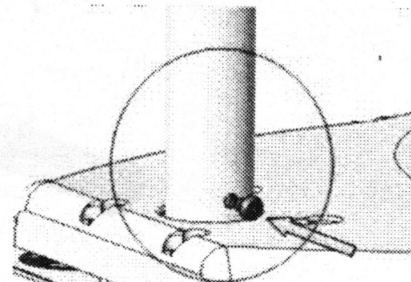
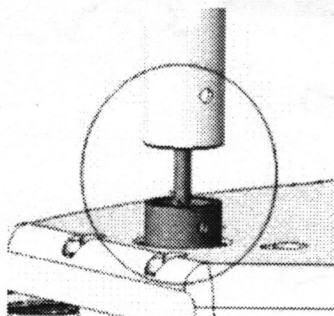
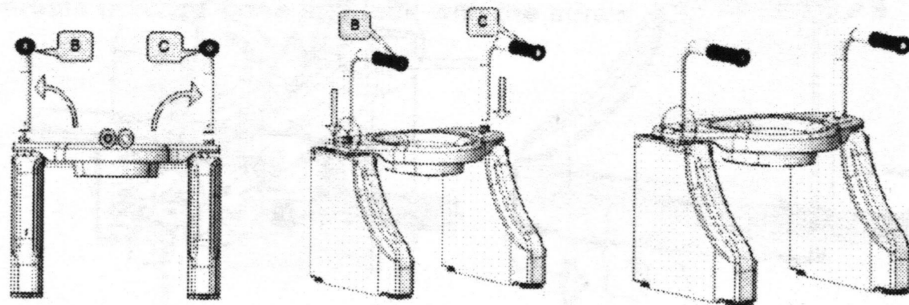


1



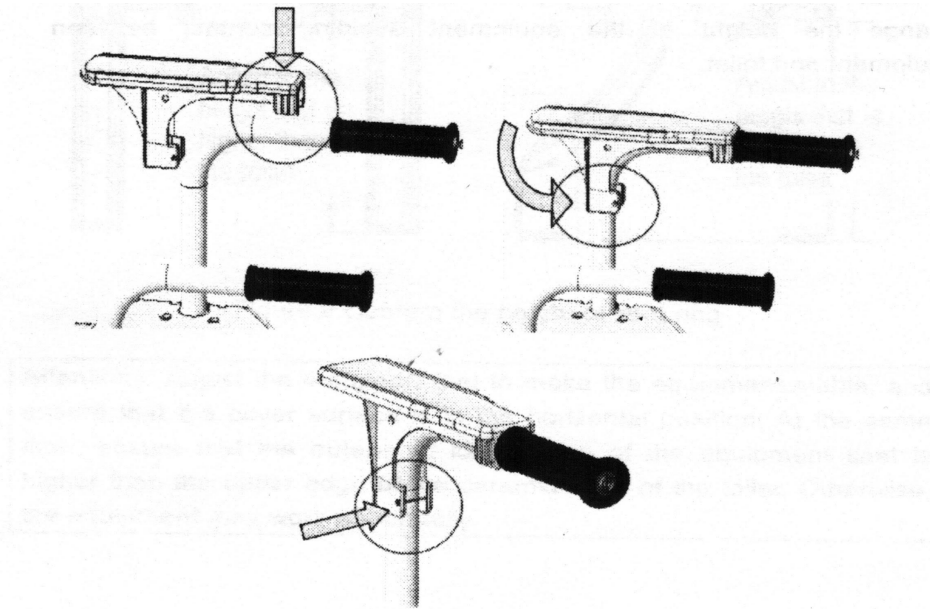
Step 1 - Install The Handles

1. The left handle has no switch, and fits simply on the post.
2. Secure the handle with two allen head screws. (only one is show in the diagram below, but there are two)
3. The right handle has an electrical connector. Line up the plugs of the electrical connector (the connector is shaped with a notch in it, so that it can only line up one way. Line up the connector so that the notches in each side align.) Once the connectors are connected, twist the threaded collar so that they remain secure. Push the buttons and the lift may move.
4. The right handle should fit over the post now.
5. Secure the handle with the two allen head screws.



Step 2 - Install The Arm Rests

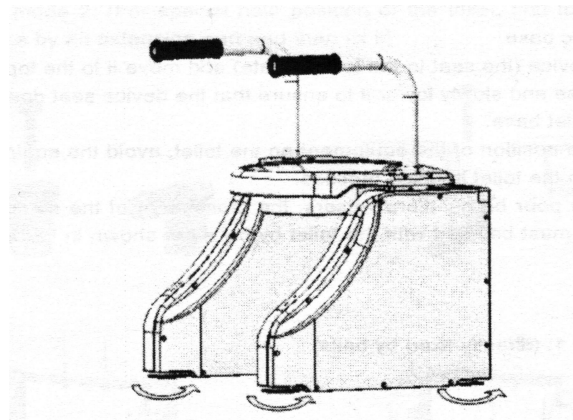
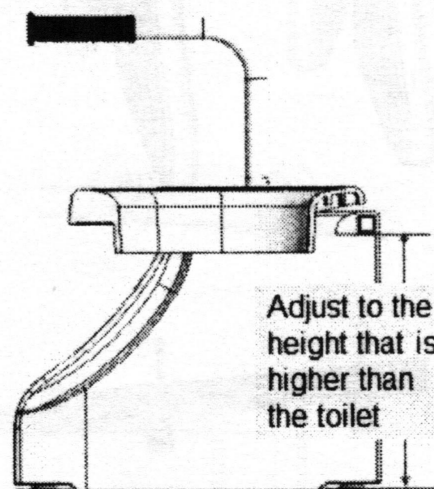
1. Position the arm rests in the right manner. The textured surface will be on top and the arm rest extends backward, toward the rear of the lift.
2. The arm rest “pop” into place. They snap over the handles. Pop the top of the arm rest first, then the rear of the arm rest next.



Step 3 - Adjust the Height of the Lift

Your lift will need to be just a bit higher than the rim of your toilet. You adjust the lift by turning the feet.

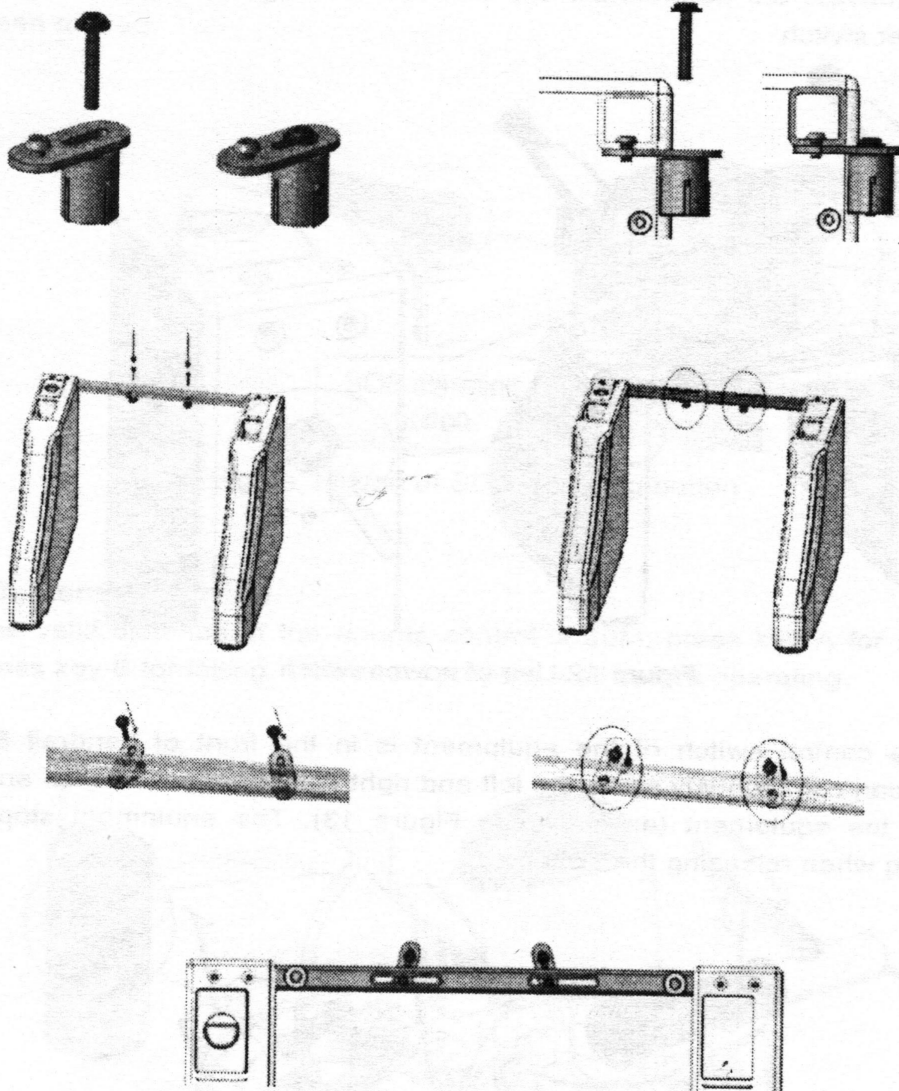
1. Measure the height of the rim of your toilet.
2. Adjust the feet of your lift so that the “rear support” area of the lift is $\frac{1}{8}$ ” - $\frac{1}{4}$ ” higher than the rim of your toilet. If you have a very low toilet you can remove the feet completely.



Step 4 - Install The Toilet Bolts To The Lift

This part can be a bit tricky. You are installing the bolts that will position your lift in the right spot on your toilet.

1. Raise your lift. You should have enough battery juice to raise it, if not, complete step 6 and retry).
2. Remove the plastic cover over the “rear support”. The rear support is the cross-bar that connects the two sides of the lift. The “rear support cover” can be slid upward to remove it. We recommend sliding one end first, then the other.
3. You can now remove the commode pan and commode rack that came with your lift. You may need them later, if you want to position your lift bedside, so store them safely.
4. Install the two toilet brackets to the bottom of the rear support. This can be a little tricky. The bolt for the bracket needs to be installed down into the slot so that the bracket attaches to the bottom of the rear support. It is difficult to install. We suggest using the allen wrench to help guide the bolt down into the slot. We apologize it isn't easier.
5. Do not tighten the bracket yet. Leave it loose so that you can install the bolts into the holes on your toilet later.



Shown above, clockwise from top-left:
 The toilet brackets and expansion bolts.
 A cut-away of the rear support with the bracket bolt installed.
 The location for the brackets on the rear cross member
 An example of how the brackets install.
 Another view showing that the bracket bolts go into the slot.
 An illustration of the expansion bolts and how they go through the bracket.
 Arrows showing the installation of the expansion bolts from above. (this is done when
 you install the lift on the toilet).

Step 5 - Remove Your Old Toilet Seat

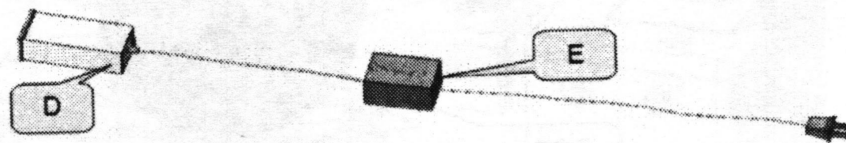
To install your dignity lift, you will need to remove your old toilet seat.

Not all seats are the same, but you may require a large flathead screwdriver and a pair of pliers.

Typically, you will remove two nuts from beneath the toilet. There is usually one on each side. Once removed, the seat usually lifts right off.

Step 6 - Charge Your Battery

- Your battery (D) should arrive with some charge. You will still want to charge it before putting it into service.
- You can charge your battery two ways:
 - a. Remove the battery from your lift (raise the lift halfway and pull up on the silver handle).
 - b. Plug your battery into the charger/power supply (E).
 - c. If your battery is flat and cannot raise the lift enough to get the battery out, plug the charger/power supply into the rear of the lift and then raise the seat.
- Your battery will need to be plugged in for 8 hours to gain a full charge. You can leave it plugged into the charger/power supply as long as you want after that.



Step 7 - Install Your Lift On Your Toilet

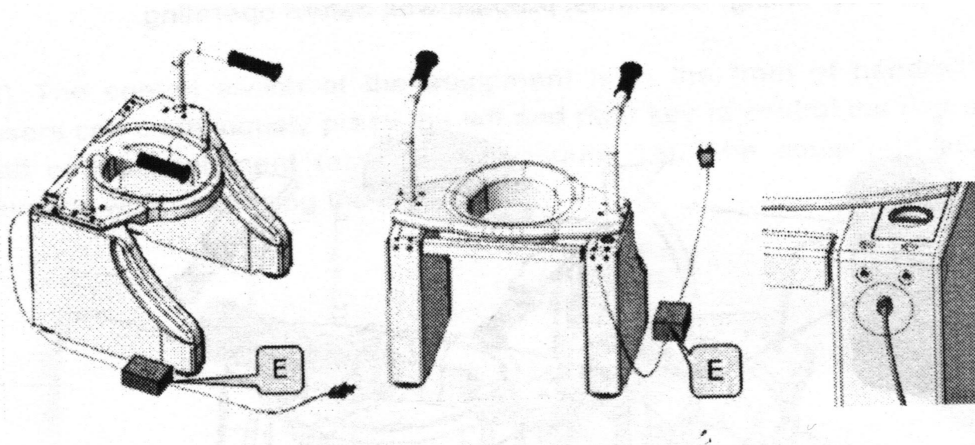
1. Place your lift over your toilet.
2. Check the adjustment of your lift's feet. Your lift should be secure, level, and should not be resting on your toilet. It should be supported on its own.
3. Position the toilet brackets so that the expansion bolts will fit through the holes on your toilet. These holes are the same holes that your toilet seat mounted to.
4. Put the bolt portion of the expansion bolt through the bracket and the the hole of your toilet, then position the rubber part of the expansion bolt under the toilet. Tighten the expansion bolts until they pull the rubber piece snug.
5. Tighten the bracket bolt that secures the bracket to the "rear support".
6. Test the lift. It should operate smoothly and securely.
7. It should be attached to your toilet so that it will not shift position.
8. When lowered, the lower lip of the lift should be below the rim of your toilet to prevent spills.

Step 8 - To Plug-In or Not Plug-In

Your Dignity Lifts DL1 will work plugged-in or solely upon the battery. Using just the battery, it will provide over 100 lifts on a single charge.

The indicator on the front of the lift provides the status of your battery. Recharge it when it becomes low. (see step 6).

If you have a GFI-protected outlet near your lift you can plug the lift in full time. Leave the battery in the lift and plug the charger/power supply (E) into the back of the lift. This will provide unlimited lifts as well as battery back-up if there is a blackout.



Warning: Your Dignity Lifts DL1 requires a GFCI-protected outlet. Be sure to only plug it into an outlet that is GFCI protected. Mixing water and electricity is dangerous, plug your lift in safely.