



OPERATING INSTRUCTIONS INSTRUCCIONES DE FUNCIONAMIENTO

AQUAJoy PREMIER PLUS AQUAJoy JUNIOR PLUS

**First point of contact is always as follows unless supplied by a
Local Dealer.**

**El primer punto de contacto es siempre el siguiente a menos que
sea proporcionado por un distribuidor local.**

**Communiquez d'abord avec cette société sauf si vous avez
acquis ce produit d'un distributeur local**



**99 Seaview Blvd.
Port Washington, N.Y. 11050
www.drivemedical.com**

QUICK CHECK LIST

CHARGING YOUR HANDCONTROL

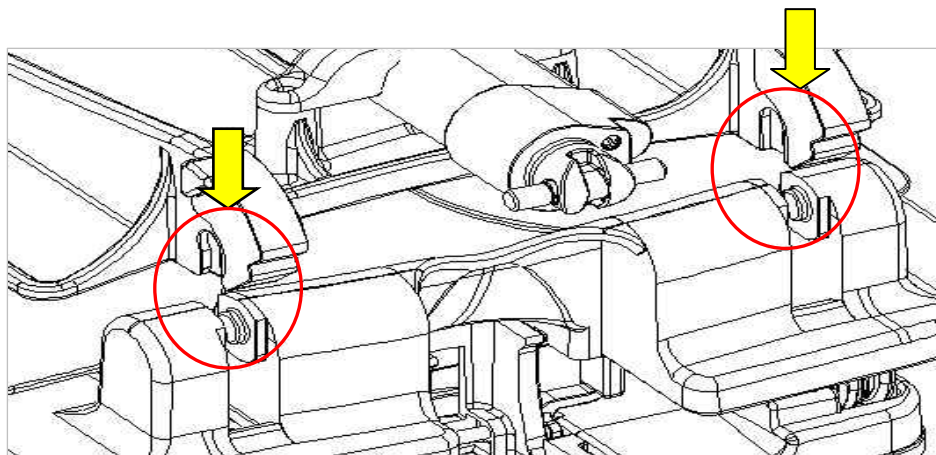
Before you first use your Bathlift, please charge your battery handcontrol for 12 hours. Please continue to charge your battery hand control after every bath or for at least 12 hours per week. You cannot overcharge your battery hand control. If the battery hand control indicator light flashes red it means you do not have sufficient charge to use your Bathlift. Please recharge immediately. The battery handcontrol indicator light will turn amber when charging is in progress. The charger indicator light will turn red when charging is in progress. Please charge your battery handcontrol on a hard, flat surface at normal room temperature and do not cover.

SIDEFLAP DIVERTERS

If you have handles on your bath, please ensure that you attach the sideflap diverters (plastic strips packed with your Bathlift) to your bath handles. Failure to do this may cause obstruction to the mechanism and affect your warranty.

INSTALLATION

When connecting the Bathlift backrest to the seat base, please ensure that the grooves and pegs are correctly aligned and completely flat. Press down onto the grooves before lifting the backrest.



SUCTION CUPS

Please ensure that your Bathlift suction feet are securely sticking to the bottom of your bath. If you have dimples or ripples on your bath, you may need to purchase additional middle suction feet to ensure safe and secure adhesion to the bath. Please check that your suction feet are sticking to the bottom of your bath every time before you have a bath.

Dear **Customer**

Thank you for purchasing your AquaJoy Premier Plus Bathlift.

The **AQUAJoy PREMIER PLUS BATHLIFT** has been designed to help you bathe in comfort. The **AQUAJoy PREMIER PLUS BATHLIFT** can be used in the home, in multi user environments and by healthcare professionals. If you are unable to take a bath on your own, use the Bathlift only under supervision.

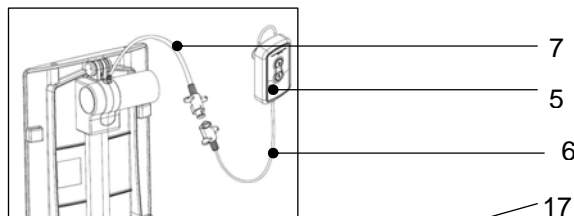
Please read the operating instructions carefully before using your Bathlift and please follow all instructions, particularly the safety instructions at all times.

The AquaJoy Premier Plus comes with a three year warranty (excluding Battery Hand Control & accessories which carry a one year warranty - unless otherwise negotiated). The warranty begins on the day of purchase.

The following components are part of the **AQUAJoy PREMIER PLUS**.

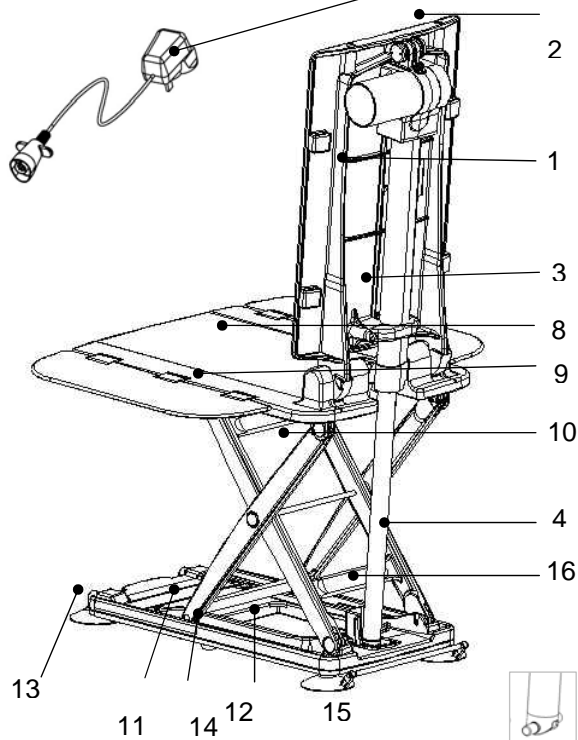
Back Frame

1. Seat back
2. Actuator
3. Actuator holder
4. Spindle shaft
5. Battery hand control
6. Hand control cable
7. Actuator cable



Complete Seat(base)

8. Seat base
9. Side flaps
10. Scissor parts
11. Slider
12. Base plate
13. Front suction cups
14. Middle suction feet
15. Rear suction cups
16. Tilting structure
17. Charger



Safety Instructions

The AquaJoy Premier Plus Bathlift may only be used to assist one person getting in and out of a bath at a time. It should not be used for climbing in and out, up or down, as a support or lifting platform outside of the bath. Please note the bathlift is not a toy and children should not be allowed to play with the Bathlift.

If you are unable to take a bath on your own, use the Bathlift only under supervision.

Before taking a bath, carry out a trial run to make sure the Bathlift functions correctly.

Always check the Bathlift suction feet are securely sticking to the bottom of the bath.

Always ensure and check that the Bathlift backrest pegs are aligned correctly with the Bathlift base grooves and pressed down flat. (see page 6 & 7)

Always follow the charging instructions for your battery handcontrol.

Always check the water temperature before bathing.

The use of excessive amounts of bathing oils or salts will require the bathlift to be cleaned more frequently.

Never reach between the base plate and the seat (hazard of hand becoming trapped in the scissor lifting mechanism).

Always check there are no obstructions in the mechanism before use.

Please ensure the handcontrol retention clip is always connected to the actuator during use.

Always disconnect the handcontrol when the backrest is folded flat.

When installing your AquaJoy Premier Plus Bathlift, please ensure you place it at the opposite end to the water valves.

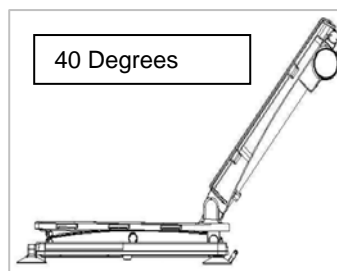
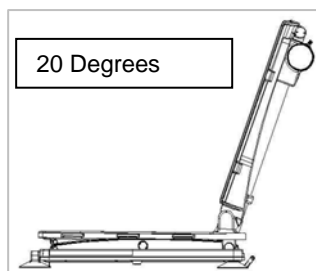
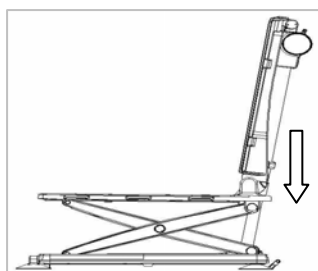
If you have handles on your bath, please ensure you attach the sideflap diverters (plastic strips packed with your Bathlift) to your bath handles. Failure to do this may cause an obstruction to the mechanism and will void your warranty. If the Bathlift sideflaps become trapped under your bath handle, STOP, press the down button on your handcontrol, make sure the sideflap is no longer trapped under the handle and press the up button on your handcontrol.

Only use the AquaJoy Premier Plus Bathlift with the AquaJoy Premier Plus battery hand control supplied.

Only use the supplied AquaJoy Premier Plus battery charger to charge the supplied AquaJoy Premier Plus battery hand control (and never recharge the AquaJoy Premier Plus battery hand control using a different charger)

Please only charge your battery handcontrol on a hard, flat surface at normal room temperature and do not cover.

When lifting your Bathlift backrest up after you have connected the backrest, always ensure it goes back into the fully reclined position before operating.



BATTERY AND CHARGER

The battery hand control must not be thrown into a fire or stored in the vicinity of a fire. Dispose of old battery hand controls in the correct manner.

Do not open the battery hand control.

After the first twelve hour charge, please charge your battery handcontrol continuously after every bath or for at least 12 hours per week.

Only use the AquaJoy Premier Plus Bathlift with the AquaJoy Premier Plus battery hand control supplied.

Only use the supplied AquaJoy Premier Plus battery charger to charge the supplied AquaJoy Premier Plus battery hand control (and never recharge the AquaJoy Premier Plus battery hand control using a different charger)

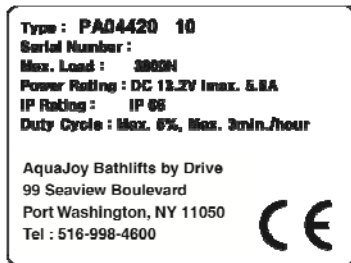
Do not charge your battery hand control inside the bathroom.

Only charge your battery handcontrol on a hard flat surface at normal room temperature and do not cover.

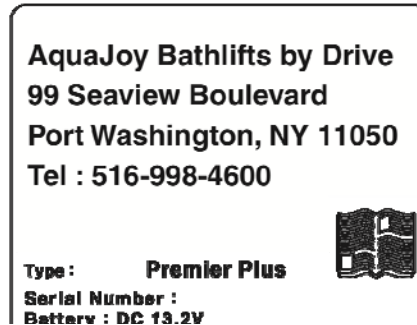
Serial Number Label

You will find all the main technical data on the AQUAJEY PREMIER PLUS serial number label

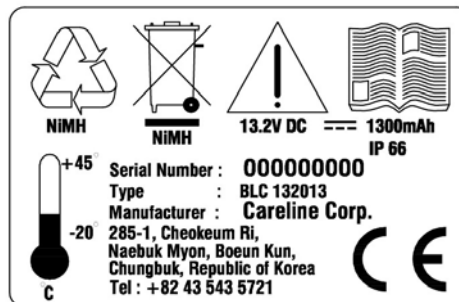
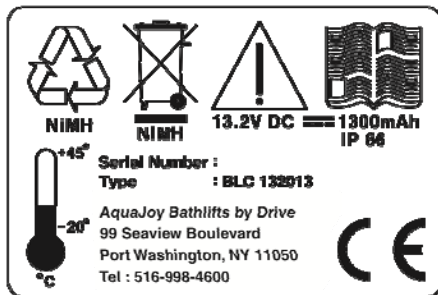
Actuator label



Seat label



Battery hand control label



Environmental Conditions for Use, Storage, and Transport

Use: An ambient temperature range of 50 F° to 104F° (+10 C° to +40C°).

A relative humidity range of 30% to 75%.

An atmospheric Pressure range of 700hPa to 1060hPa

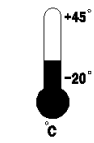
Storage and Transport:

An ambient temperature range of -31F° to 122F° (-35 C° to 50C°).

A relative humidity range of 10% to 100%.

An atmospheric Pressure range of 300hPa to 1060hPa Less than 30days at 50°C

What do the symbols on the labels mean?



Storage temperature range



Caution 13.2v DC



Read instructions carefully



Recyclable



Dispose correctly

ASSEMBLY / INSTALLATION

HOW TO INSTALL YOUR AQUAJoy PREMIER PLUS BATHLIFT

PLEASE NOTE: PLEASE ENSURE WHEN INSTALLING YOUR AQUAJoy PREMIER PLUS BATHLIFT THAT YOU PLACE IT AT THE OPPOSITE END TO THE WATER VALVES..

PLEASE NOTE: WHEN CONNECTING THE BATHLIFT BACKREST TO THE SEAT BASE, **PLEASE ENSURE THAT THE GROOVES AND PEGS ARE CORRECTLY ALIGNED.** (SEE PICTURE BELOW)

PLEASE ENSURE THE BATHLIFT BACKREST IS COMPLETELY FLAT (NOT ON ANY ANGLE) AS PICTURED BELOW AND PRESS IT DOWN ONTO THE GROOVES BEFORE LIFTING THE BACKREST. DO NOT ATTACH COVERS UNTIL ASSEMBLY IS COMPLETE.

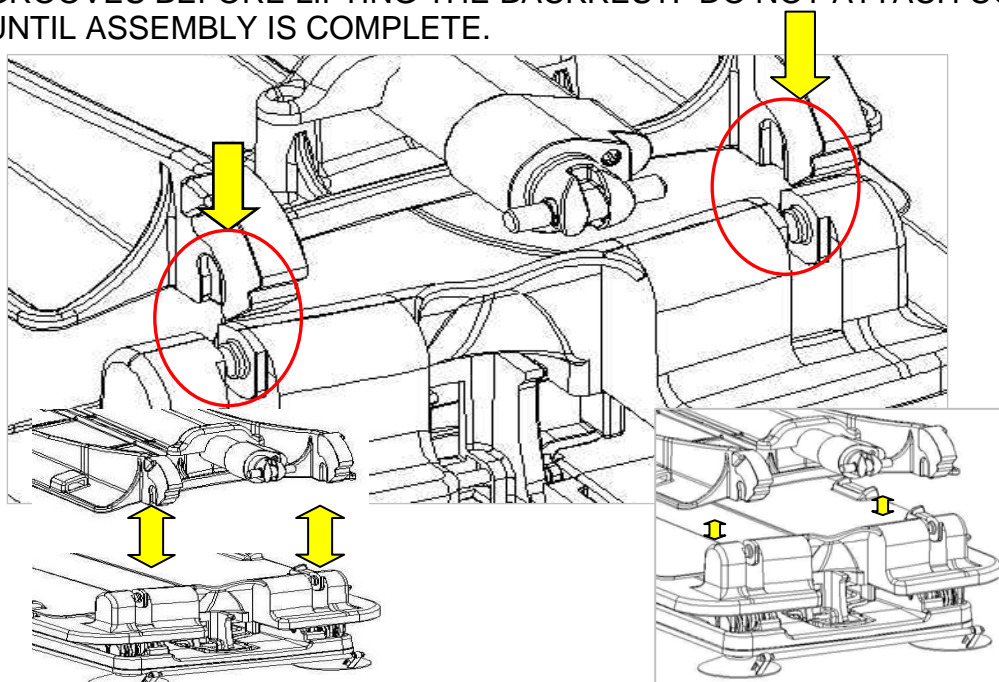


Image 1 : Alignment Direction

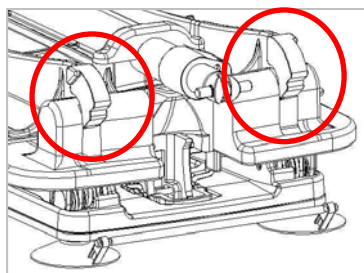


Image 2 : Closer look

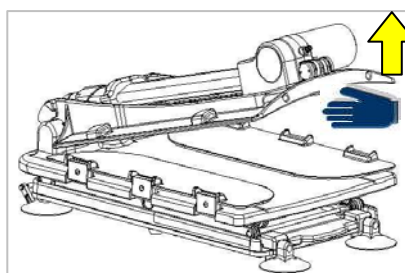
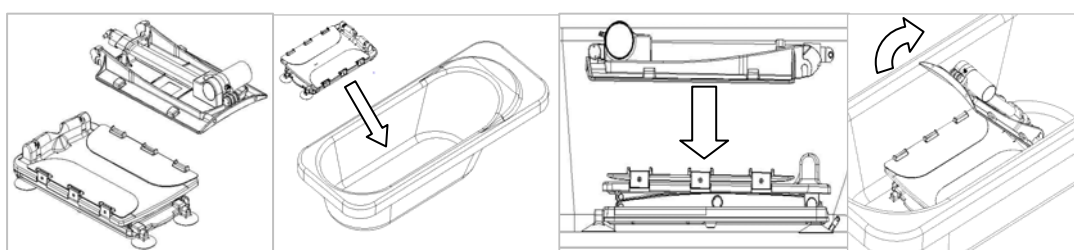


Image 3: Fully Engaged

Image 4 : Lift up front centre

INSTALLING YOUR BATHLIFT

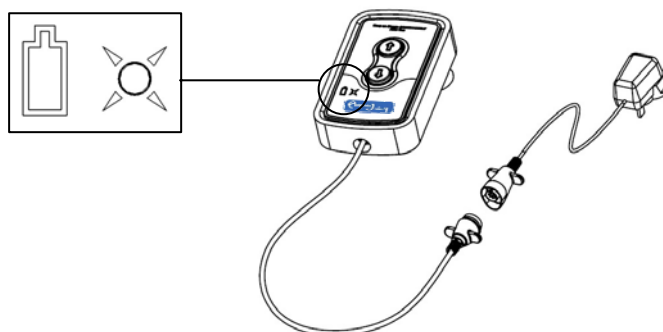


- Please ensure your bath tub is clean and dry before installing your bathlift.
- Simply remove the bathlift parts separately from the box (remove backrest first and then the seat (base)).
- Place the seat (base) onto the flat part of the bath. Please ensure that there is sufficient space for the bathlift to fully recline. **CAUTION:** Please ensure that your Bathlift suction feet are securely sticking to the bottom of your bath. If you have dimples or ripples on your bath, you may need to purchase additional middle suction feet to ensure safe and secure adhesion to the bath. Please check that your suction feet are sticking to the bottom of your bath every time before you have a bath.
- Take the backrest and simply place it flat on top of the seat, matching the grooves on the backrest to the grooves on the seat (See earlier point).
- Simply lift the backrest up until it is in the fully reclined position.

PLEASE NOTE: BEFORE YOU FIRST USE YOUR AQUAJoy PREMIER PLUS / JUNIOR PLUS BATHLIFT, PLEASE CHARGE YOUR BATTERY HAND CONTROL FOR **TWELVE HOURS**. AFTER YOUR FIRST USE, PLEASE CONTINUE TO CHARGE YOUR BATTERY HAND CONTROL AFTER EVERY BATH. YOU CANNOT OVERCHARGE YOUR BATTERY HAND CONTROL. IF THE HAND CONTROL INDICATOR LIGHT FLASHES RED IT MEANS YOU DO NOT HAVE SUFFICIENT CHARGE TO USE YOUR BATHLIFT. PLEASE RECHARGE IMMEDIATELY. THE HANDCONTROL INDICATOR LIGHT WILL

TURN AMBER WHEN CHARGING IS IN PROGRESS. THE CHARGER INDICATOR LIGHT WILL TURN RED WHEN CHARGING IS IN PROGRESS.

HOW TO CHARGE YOUR AQUAJOY PREMIER PLUS BATHLIFT



If already connected, separate the cable of the battery hand control from the bathlift (backrest) cable. If not connected, simply remove your battery hand control from the packaging.

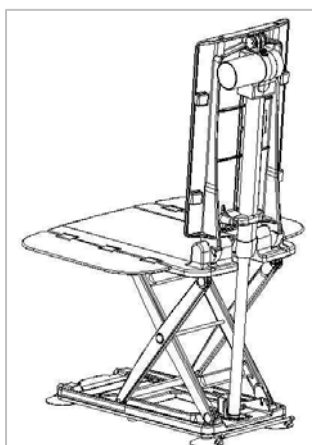
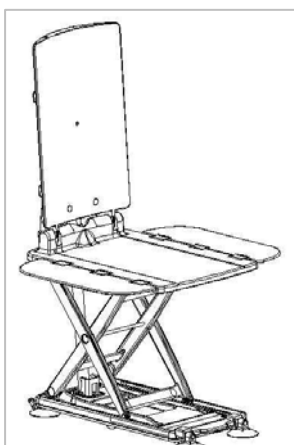
For safety reasons, please ensure that you do not charge your battery hand control in your bathroom.

Connect the battery hand control cable to the charger.

Insert the charger plug into the outlet. Please leave your battery hand control to charge for approximately 12 hours when you first receive your Bathlift. This will provide approximately 15 lifts, up and down (at 175#) on your bathlift. You cannot over charge your battery hand control. If you are unable to take a bath on your own, please use the Bathlift only under supervision.

We recommend that you charge your battery hand control continuously after every bath. If you wait more than one week between baths, we recommend that you charge your battery hand control before bathing or at least for 12 hours per week. The hand control indicator light will turn AMBER to let you know it is being charged. The charger indicator light will turn red to let you know charging is in progress.

BATHING WITH YOUR AQUAJOY PREMIER PLUS



HOW TO BATHE WITH YOUR AQUAJoy PREMIER PLUS BATHLIFT

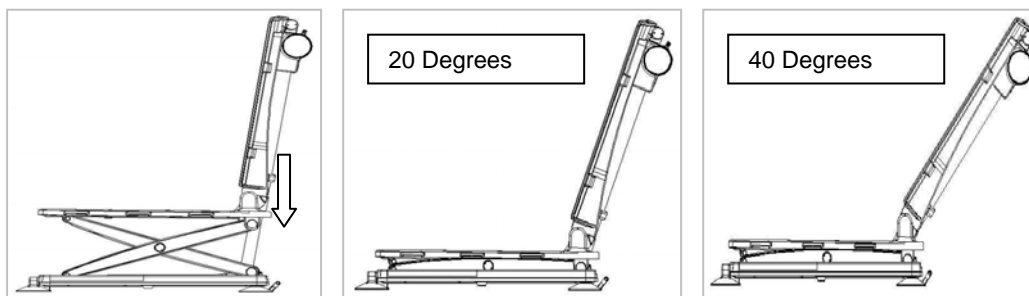
After easily installing your **AQUAJoy PREMIER PLUS BATHLIFT** attach the connector of the fully charged battery hand control to the connector on the back of the backrest.

Take hold of the battery hand control and press the “up” button. Continue to press and the bathlift will rise up. When the bathlift becomes flush with the top level of your bath, release your finger from the “up” button and the bathlift will stop moving. Sit on the sideflap of the bathlift seat (this should be resting flat on the side of your bath) with your legs against the bath. Slide / shuffle over to the middle of the seat and lift one leg at a time over the side of the bath. Swivel round so that you are sitting in the correct position for comfortable bathing. (If you have problems sliding/shuffling over, why not try our “**AQUAJoy SWIVEL & SLIDE ACCESSORY**”.)

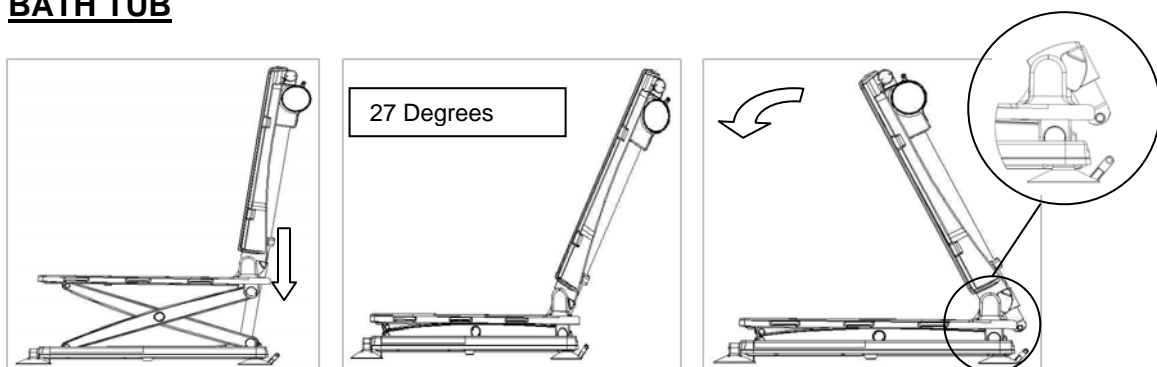
By pressing the “down” button on your hand control the bathlift will lower you to your required bathing position.

The bathlift will take you safely and comfortably to the bottom of the bath. At the bottom, you will be sat at a 20 degree angle. If you want to recline when you are at the bottom of the bath, simply continue to press the “down” button and the bathlift backrest will recline. (You can recline up to a maximum of 40 degrees)

You can stop reclining at any time if you simply stop pressing the “down” button. When you have finished bathing, simply press the “up” button on your battery hand control. Continue to press the “up” button until the bathlift is flush with the top of your bath. Please make sure the sideflap rests flat on the side of the bath when transferring off the Bathlift.



HOW TO REMOVE YOUR AQUAJoy PREMIER PLUS BATHLIFT FROM YOUR BATH TUB



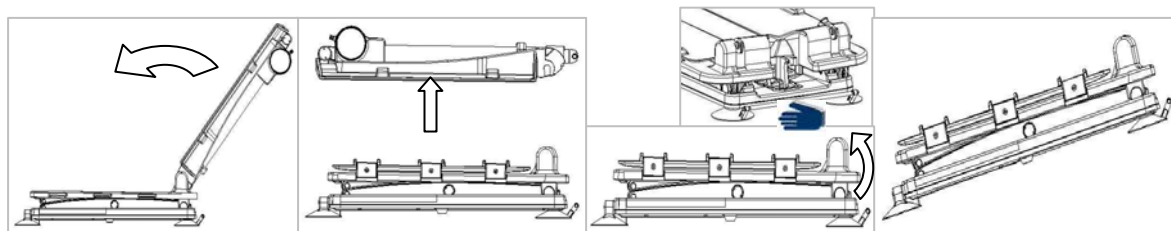
Empty the water from the bath.

Pressing the “down” button on the hand control, take the bathlift to its lowest position in the bath, continue to press the down button until the backrest reaches its’ fully reclined position.

Take hold of the two side flaps and fold them inward onto the seat.

Take hold of the backrest, pushing it forward so that it lies flat onto the seat.

REMOVING YOUR BATHLIFT



With the backrest folded forward onto the bathlift seat, simply detach the backrest from the base by lifting it upwards (as above). The backrest grooves will detach from the seat (base) grooves.

To remove the seat (base), simply place one hand on the lifting bar at the rear of the base and lift to release the bathlift from the bath. Continue to lift and the suction feet at the front of the bathlift will release automatically. Place your other hand on the front of the bathlift and lift.

Continue to lift your bathlift base out of the bath and you can now store your bathlift away.

SERVICE AND MAINTENANCE

The **AQUAJoy PREMIER PLUS BATHLIFT** requires minimal maintenance /servicing. Please check that everything is in good working order at regular intervals (at least once every month). The Bathlift actuator is tested to last 10,000 cycles if used and maintained correctly in the environment for which it has been designed. However, in order to maximise the life of the Bathlift and to ensure optimum reliability, performance and safety, AquaJoy Bathlifts Ltd recommends

that you replace your bathlift handcontrol, actuator and charger in accordance with your product warranty.

ROUTINE CHECK LIST

TO CHECK THAT THE FOLLOWING PARTS ARE IN GOOD WORKING ORDER, PLEASE FOLLOW THE PROCEDURES BELOW:-

BATTERY HANDCONTROL

Attach your battery hand control to your bathlift, press the Up button and the bathlift should go up. Press the Down button and the bathlift should go down. When you are pressing either button, if the indicator light flashes red on the hand control, you need to recharge your battery hand control immediately. An amber light will show when charging is in progress. If no light appears, please try a different charger (if available). If the problem continues and still no light appears, please contact your supplier.

CHARGER

Attach your charger to your battery hand control. If the charger has a red light showing and the hand control has an amber light showing, leave the charger in place. If the hand control shows no light, please try a different charger (if available). If the hand control then turns amber, contact your supplier regarding your original charger. If you have no light on your charger, contact your supplier.

ACTUATOR

Attach your hand control to your Bathlift and press the up button to check the upward travel of the Bathlift and press the down button to check the downward travel of the Bathlift. If the Bathlift will not move up or down, firstly try a different hand control (if available). If the problem still persists, please contact your supplier regarding your Bathlift actuator. The Amber LED light will only show when charging is in progress. The LED light will flash red to let you know that your handcontrol requires charging when the handcontrol and actuator are connected together and the Bathlift is in operation.

SUCTION CUPS

Please ensure that your Bathlift suction feet are sticking securely to the bottom of your bath. If you have dimples or ripples on your bath, you may need to purchase additional middle suction feet to ensure safe and secure adhesion to the bath.

Please check that your suction feet are sticking to the bottom of your bath every time before you have a bath and clean away any residue from your suction feet.

OPERATION OF BATHLIFT

Attach your hand control to your bathlift. Press the down button to check the safe downward travel (paying special attention to the scissor mechanism under the bathlift seat) and press the up button to check the safe upward travel (paying special attention to the scissor mechanism under the bathlift seat). If there is any obstruction, please remove. If there is any problem, please contact your supplier for further advice. PLEASE ALSO ENSURE THE BATHLIFT IS REGULARLY CLEANED TO ENSURE SAFE OPERATION (at least once per week). The actuator is tested to last 10,000 cycles if used and maintained correctly in the environment for which it has been designed. However, in order to maximise the life of the Bathlift and to ensure optimum reliability, performance and safety, AquaJoy Bathlifts Ltd recommends that you replace your bathlift handcontrol, actuator and charger in accordance with your product warranty.

CLEANING – BATHLIFT & COVERS

To clean the bathlift, simply use a normal household cleaner and a damp cloth. The AquaJoy Premier Plus bathlift can be used with or without covers. The standard covermats can be easily removed and washed in your washing machine up to a maximum temperature of 140°F. We recommend that you wash your cover mats after every two to three baths if possible to avoid any dirt or residue building up. The optional gel filled cover mat set can be easily removed & washed with soapy water.

I HAVE A PROBLEM WITH MY BATHLIFT.....

1. IS YOUR BATTERY HAND CONTROL FULLY CHARGED? IS THERE A RED LIGHT SHOWING ON YOUR BATTERY HAND CONTROL WHEN YOU ARE PRESSING THE UP/DOWN BUTTON?

PLEASE CHECK YOUR HANDCONTROL – AMBER LIGHT SYSTEM

Attach your charger to your battery hand control, then plug the charger into outlet. If the hand control has an amber light showing, leave the charger in place to charge. NOTE: The light will remain amber to indicate charging is in progress and will not turn to red. If no light appears, please try a different charger if available. If the problem continues and still no light appears, please contact your supplier.

2. HOW DO I CHARGE MY BATTERY HAND CONTROL?

If already attached to the bathlift, detach the hand control. The hand control is

attached to the bathlift by the yellow and red adaptors at the end of the cable. Separate these / pull them apart and the hand control will detach. Now, attach the supplied black AquaJoy Premier Plus charger adaptor to the AquaJoy Premier Plus hand control in the same way and plug the three point plug into a mains socket. Now, turn the power on at the mains. There should be a red light showing on your charger and an amber light on your hand control.

WHEN YOU FIRST RECEIVE YOUR BATHLIFT AND REGARDLESS OF THE COLOUR OF THE LED INDICATOR LIGHT ON YOUR BATTERY HAND CONTROL, PLEASE CHARGE YOUR BATTERY HAND CONTROL FOR TWELVE HOURS. THE HANDCONTROL INDICATOR LIGHT WILL TURN AMBER WHEN CHARGING. THIS WILL ENSURE THE BATTERY HAND CONTROL IS SET FOR NORMAL USE. THE CHARGER INDICATOR LIGHT WILL TURN RED WHEN CHARGING. AFTER THE FIRST TWELVE HOUR CHARGE, PLEASE CHARGE YOUR BATTERY HAND CONTROL AFTER EVERY BATH OR FOR AT LEAST 12 HOURS PER WEEK. IF THE INDICATOR LIGHT ON THE HAND CONTROL FLASHES RED, PLEASE CHARGE YOUR BATTERY HAND CONTROL IMMEDIATELY. ONLY CHARGE YOUR BATTERY HAND CONTROL ON A HARD FLAT SURFACE AND DO NOT COVER.

3. CAN I / HOW DO I WASH MY COVERMATS?

The **AQUAJoy PREMIER PLUS BATHLIFT** can be used with or without covers. The standard covermats can be easily removed and washed in your washing machine up to a maximum temperature of 140°F.. The covermats cannot be used in a tumble dryer, please hang them up to dry. The optional gel filled cover mat set can be easily removed & washed with soapy water. We recommend that you wash your cover mats after every two to three baths if possible to avoid any dirt or residue building up.

4. MY FRONT / REAR TWO SUCTION FEET DO NOT SEEM TO BE STICKING TO THE BOTTOM OF THE BATH?

Some baths have dimples or ripples on the base of the bath. These ripples normally appear up to half way up the base of the bath. If your front two suction feet are not sticking securely to the bottom of the bath, please contact your supplier to purchase extra middle suction feet. These are simply screwed into the two middle rester feet which are already on the underside of the Bathlift. If you add the two extra middle suction feet, there should be sufficient suction with these middle two feet and the rear two feet. Please check that your suction feet are sticking to the bottom of your bath every time before you have a bath and clean away any residue from your suction feet.

5. CAN I USE EMOLLIENTS, AQUEOUS CREAMS, OILS IN THE BATH WITH MY BATHLIFT?

Yes, however, please ensure that you thoroughly rinse / clean away any residue from the base of the bath and the suction feet. Please check that your suction feet are sticking to the bottom of your bath every time before you have a bath and ensure that all residues are cleaned away after every bath. We also recommend

that you wash your covermats more often – after every bath if possible.

6. IF I LEAVE MY BATTERY HAND CONTROL ON CHARGE WILL I DAMAGE IT?

No, charge your battery hand control for 12 hours when you first receive your bathlift. Then after every bath, leave the hand control on charge. You cannot overcharge your battery hand control. A fully charged battery will provide approximately fifteen full lifts up and down. Only charge your battery handcontrol on a hard flat surface at normal room temperature and do not cover.

7. HOW DO I CLEAN MY BATTERY HAND CONTROL?

To clean inside the foam of your battery hand control simply remove the two screws at the back of the hand control and pull the foam away from the control box. Clean as required and simply replace your battery hand control back inside the foam and insert the screws as previous.

8. DO I NEED TO USE MY SIDEFLAP DIVERTERS? (Grey/White plastic strips packed with every bathlift)

Yes, if you have handles on your bath, please ensure you attach the side flap diverters to your bath handles. Failure to do this may cause an obstruction to the mechanism and will affect your warranty. If the bathlifts side flaps become trapped under your bath handles, stop, press the down button on your hand control, make sure the side flap is no longer trapped under the handles and press the up button on your hand control.

TECHNICAL DATA

Length of seat: 580 mm (22.8 inches)

Width of seat with extended seat side flaps: 686 mm (27 inches)

Width of seat with seat side flaps folded in: 390 mm (15.3 inches)

Height of seat in its lowest position: 90 mm (3.5 inches)

Height of seat in its highest position: 465 mm (18.3 inches)

Depth of seat measured from

Backrest to front seat edge: 490 mm (19.3 inches)

Height of backrest: 604 mm (23.8 inches)

Width of backrest: 340 mm (13.4 inches)

Carrying capacity: 170kgs (26.7 stone, 175lb)

Total Weight without battery: 13.64kg (30 lb)

Weight of seat: 7.70kg (16.94 lb)

Weight of sideflaps: 0.94kg (2.07 lb)

Weight of backrest: 5kg (11 lb)

Weight of battery hand controller: 670g

Duration of stroke (80 kg load): Up approx. 50sec, Down approx. 35sec

Operating voltage: 13.2V DC

Maximum current consumption: 5.8A

Nominal Input: 13.2V DC

Motor noise with no load : approx. 50dB

(according to DIN 3746)

Medical equipment type B

Class Protection: IP 66

Duty cycle: Max. 5%, Max. 3min./hour

REV.9

Battery: 13.2V 1300mAh(Ni-MH)

Battery Charger

Input : 100-240 ~ 60/50Hz 138mA

Output : 20V DC 250mA 5.0VA

Weight : UK 84g/ EU 78g/ USA 78g

Charging time with flat battery : approx. 12h

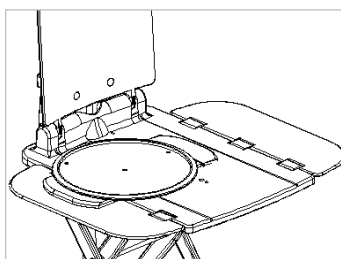
ACCESSORIES

TO FIT AND REMOVE THE COVERS

If you have covermats for your Bathlift, please fit them before you bathe. To fit the seatbase cover, place the cover onto the seat and slip the two sideflaps of the seat into either side of the cover – just as you would with a fitted sheet. Press the sideflaps down so that the cover is attached securely. PLEASE ENSURE FITTING IS SECURE BEFORE BATHING!

To fit the backrest cover, stretch the four plastic corners (on the reverse of your cover) over the four corners of your bathlift backrest.

SWIVEL AND SLIDE UNIT

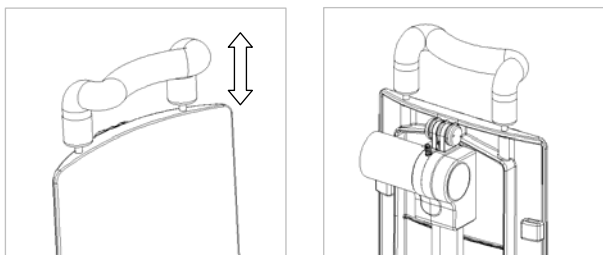


The AquaJoy Premier Plus transfer disk will assist you to get on and off your bathlift easily and safely. It is ideal for people who have problems shuffling on and off the bathlift and allows them to slide and turn into the middle of the bathlift seat. Simply place the swivel and slide for your preferred position onto the seat base.

CARRYING BAG

The Carrying bag is the ideal and easy way to store your bathlift. Or if you go on holiday, why not take your bathlift with you!

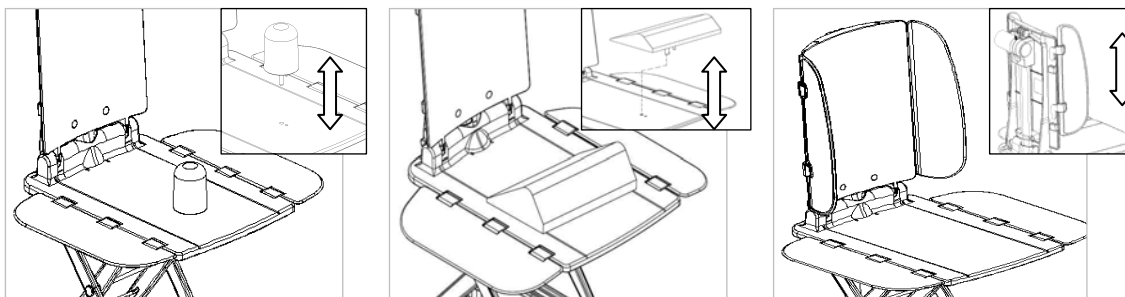
HEADREST



The AquaJoy Premier Plus Headrest provides extra support and comfort whilst bathing.

To fit the headrest, simply place the headrest prongs into the two holes on top of the Bathlift backrest. To remove simply lift upwards and the headrest will release.

AQUAJoy JUNIOR PLUS BATHLIFT (FOR CHILDREN & YOUNG ADULTS)



TO FIT THE POMMEL

Place the pommel prongs into the seat (base) locating holes and push down. The pommel will now sit in place. If any holes are required to be punched into the AquaJoy Bathlift covers to accommodate the pommel or wedge, this will be completed on site by AquaJoy Prior to dispatch.

TO REMOVE THE POMMEL

Simply pull upwards and the pommel will release

TO FIT THE WEDGE CUSHION

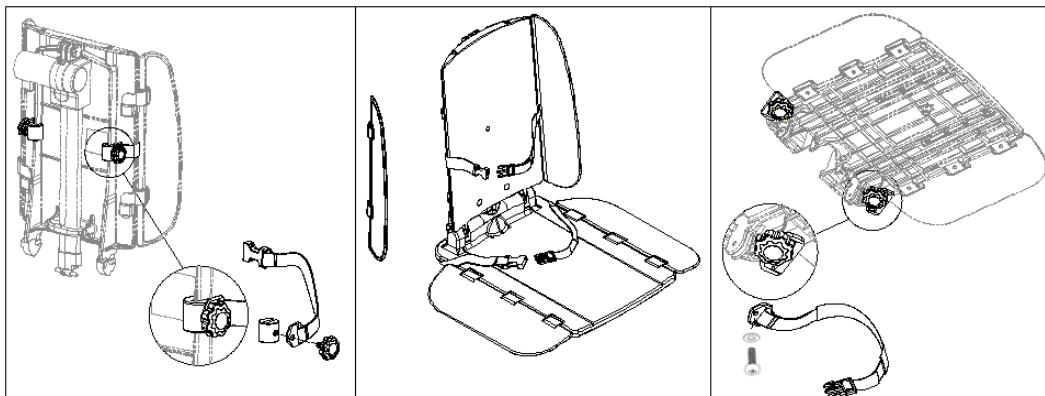
Place the wedge cushion prongs into the seat (base) locating holes and push down. The wedge cushion will now sit in place. If any holes are required to be punched into the AquaJoy Bathlift covers to accommodate the pommel or wedge, this will be completed on site by AquaJoy Prior to dispatch.

TO FIT THE WING SUPPORTS ON THE BACKREST

Simply locate the guides on the wings into the location points on either side of the backrest.

TO REMOVE THE WING SUPPORTS ON THE BACKREST

Simply pull upwards from the location points and the wing supports will release.

TO FIT THE CHEST & LAP HARNESS

The chest harness fixing bracket should be attached to the back of the backrest. It is adjustable by sliding the bracket up and down the backrest so that the belt can be positioned at the most suitable height for the client. The harness is secured by screwing the knob into the fixing bracket as shown in the above diagram. (The short part of the two piece chest harness should be attached to the side where the client is transferring for easy, quick release). The chest harness size is adjustable from the side by pulling the material through the buckle (as with a belt). To secure the user, simply insert the chest harness clip into the buckle.

The lap harness should be attached to the rear underside of the seat base. (The short part of the two piece lap harness should be attached to the side where the client is transferring for easy, quick release). The harness is secured by screwing the knob into the boss insert as shown in the above diagram. The lap harness size is adjustable from the side by pulling the material through the buckle (as with a belt). To secure the user, simply insert the lap harness clip into the buckle.

LIMITED WARRANTY

Drive guarantees this product for three years on the frame, actuator and charger and 1 year on the battery hand control and accessories from date of purchase.

The guarantee is given against defects in material and workmanship. The guarantee is not valid in the case of fair wear and tear, willful damage, common neglect, misuse or unauthorized alteration or repair by unqualified persons. Discoloration of the cover mats is caused by normal wear and tear and is excluded from the warranty.

If you have a question about your Drive device or this warranty, please contact an authorized Drive dealer.

LISTA DE REVISIÓN RÁPIDA

CARGANDO SU CONTROL MANUAL

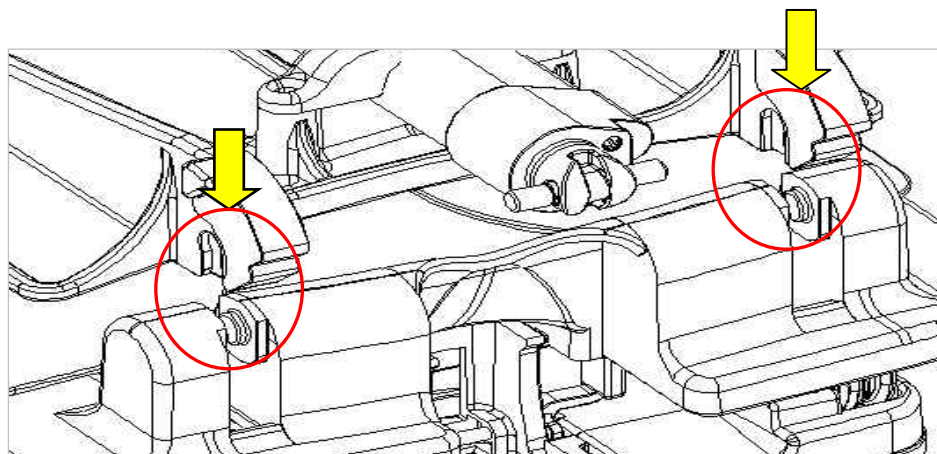
Antes de usar su silla elevadora para bañera, asegúrese de haber cargado la batería de su control manual por 12 horas. Por favor continúe cargando la batería de su control manual después de cada baño o al menos por 12 horas por semana. No puede sobrecargar de más la batería de su control manual. Si la luz roja del indicador del control manual está parpadeando, esto quiere decir que no tiene la carga suficiente para usar su silla elevadora para bañera. Recárguelo por favor inmediatamente. La luz indicadora de la batería del control manual cambiará a color ámbar cuando se esté cargando. La luz indicadora del cargador cambiará a rojo cuando se esté cargando. Por favor, cargue la batería de su control manual sobre una superficie sólida y plana, a temperatura ambiente y no la cubra.

ALAS LATERALES DE DESVIACIÓN

Si tiene agarraderas en su bañera, asegúrese de colocar las alas laterales de desviación (franjas de plástico empacadas con su silla elevadora para bañeras) a las agarraderas de su bañera. No hacerlo puede que obstruya el mecanismo y afecte su garantía.

INSTALACIÓN

Cuando conecte el respaldo de su silla elevadora a la base del asiento, asegúrese de que las ranuras y clavijas estén alineadas correctamente y completamente planas. Presione hacia abajo sobre las ranuras antes de levantar el respaldo.



COPAS DE SUCCIÓN

Asegúrese de que las copas de succión de las patas de su silla elevadora para bañeras se peguen de manera segura al fondo de su bañera. Si tiene hoyuelos u ondas sobre su bañera, tal vez necesite comprar patas de succión adicionales para la parte del medio para asegurar que se adhiera de manera segura a la bañera. Verifique por favor que las copas de succión de las patas estén pegadas al fondo de su bañera en todo momento antes de tomar un baño.

Estimado **cliente**

Gracias por comprar su silla elevadora AquaJoy Premier Plus.

La **SILLA ELEVADORA AQUAJoy PREMIER PLUS** ha sido diseñada para ayudarle a bañarse cómodamente. La **SILLA ELEVADORA AQUAJoy PREMIER PLUS** puede usarse en el hogar, en ambientes con múltiples usuarios y por profesionales de atención a la salud. Si usted no puede bañarse por sí solo, utilice la silla elevadora solamente bajo supervisión.

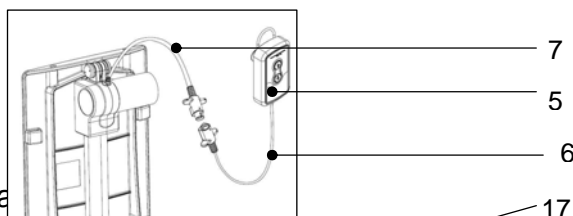
Lea por favor con cuidado estas instrucciones de funcionamiento antes de usar su silla elevadora y siga todas las instrucciones, en particular las instrucciones de seguridad en todo momento.

El AquaJoy Premier Plus viene con una garantía de tres años (excluyendo la batería del control manual y accesorios que tienen una garantía de un año - a menos que se negocie de forma diferente). La garantía empieza en el día de la compra.

Los siguientes componentes forman parte del **AQUAJoy PREMIER PLUS**.

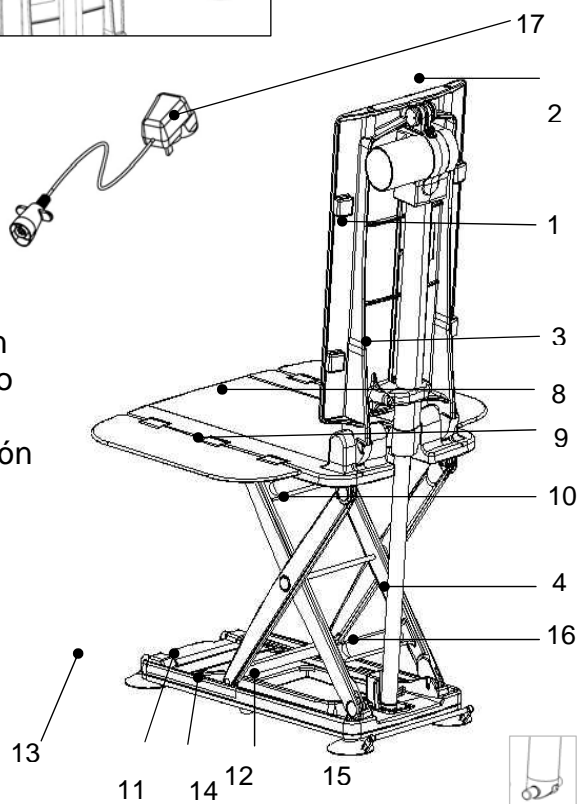
Armazón del respaldo

- 1. Asiento del respaldo
- 2. Actuador
- 3. Sujetador del actuador
- 4. Flecha del husillo
- 5. Batería del control manual
- 6. Cable de control manual
- 7. Cable del actuador



Asiento completo (base)

- 8. Base del asiento
- 9. Alas laterales
- 10. Partes de la tijera
- 11. Deslizador
- 12. Plato de la base
- 13. Copas frontales de succión
- 14. Patas de succión del medio
- 15. Copas traseras de succión
- 16. Estructura para la inclinación
- 17. Cargador



Instrucciones de seguridad

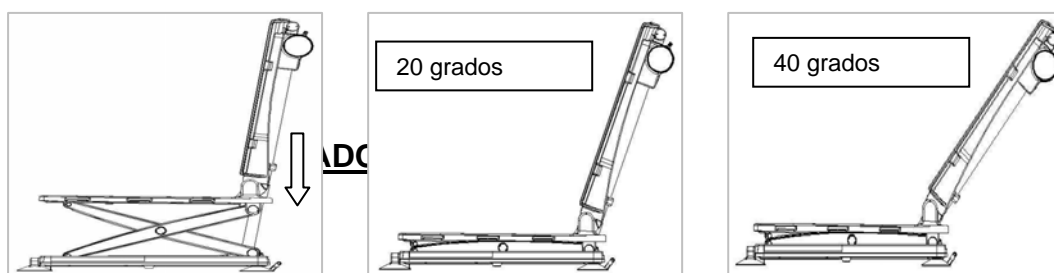
La silla elevadora AquaJoy Premier Plus sólo debe usarse para ayudar a una persona a la vez a meterse y salirse de una bañera. No debe usarse para subir dentro y fuera, arriba o abajo, como la base de una plataforma o como una plataforma para levantar que no sea dentro del baño. Por favor tenga en cuenta que la silla elevadora no es un juguete y no se debe permitir que los niños jueguen con la silla elevadora.

Si usted no puede bañarse por sí solo, utilice la silla elevadora solamente bajo supervisión. Antes de tomar un baño, realice una prueba para asegurarse de que la silla elevadora funciona correctamente. Asegúrese de que las copas de succión de las patas de su silla elevadora para bañeras se peguen de manera segura al fondo de su bañera en todo momento. Asegúrese y revise que las clavijas del respaldo de la silla elevadora estén alineadas correctamente con las ranuras de la base de la silla elevadora y presionadas hasta abajo hasta que estén planas. (Ver las páginas 6 y 7) Siga siempre las instrucciones de cargado para la batería de su control manual. Revise siempre la temperatura del agua antes de bañarse. El uso de cantidades excesivas de aceites o sales para baño requerirá que la silla elevadora se limpie más a menudo. Nunca trate de alcanzar algo entre la placa de la base y el asiento (existe el peligro que su mano se atrape en el mecanismo de elevación de tijera).

Verifique siempre que no existan obstrucciones en el mecanismo antes de su uso. Asegúrese siempre de que el clip de retención del control manual esté siempre conectado al actuador durante su uso. Desconecte siempre el control manual cuando el respaldo está totalmente plano. Cuando instale su silla elevadora AquaJoy Premier Plus, asegúrese de colocarla en el extremo opuesto a las válvulas del agua. Si tiene agarraderas en su bañera, asegúrese de colocar las alas laterales de desviación (franjas de plástico empacadas con su silla elevadora) a las agarraderas de su bañera. No hacerlo puede que obstruya el mecanismo y anulará su garantía. Si las alas laterales de la silla elevadora se atrapan debajo de la agarradera de su bañera, PARE, presione el botón Down (abajo) de su control manual, asegúrese de que el ala lateral ya no esté atrapada debajo de la agarradera y presione el botón Up (arriba) en su control manual.

Sólo use la silla elevadora AquaJoy Premier Plus con el control manual de batería AquaJoy Premier Plus que se proporciona. Sólo use el cargador de batería AquaJoy Premier Plus que se proporciona con su control manual de batería AquaJoy Premier Plus (y nunca recargue la batería de su control manual AquaJoy Premier Plus usando un cargador diferente). Por favor, sólo cargue la batería de su control manual sobre una superficie sólida y plana, a temperatura ambiente y no la cubra.

Cuando levante el respaldo de su silla elevadora después de haber conectado el respaldo, asegúrese siempre de que se baja totalmente hacia la posición reclinada antes de su funcionamiento.



La batería del control manual no debe tirarse al fuego o almacenarse cerca del fuego. Tire las baterías usadas del control manual de la manera correcta.

No abra la batería del control manual.

Después de las primeras doce horas de carga, por favor continúe cargando la batería de su control manual después de cada baño o al menos por 12 horas por semana continuamente.

Sólo use la silla elevadora AquaJoy Premier Plus con el control manual de batería AquaJoy Premier Plus que se proporciona.

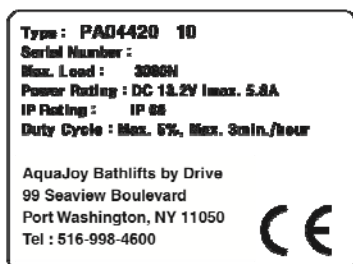
Sólo use el cargador de batería AquaJoy Premier Plus que se proporciona con su control manual de batería AquaJoy Premier Plus (y nunca recargue la batería de su control manual AquaJoy Premier Plus usando un cargador diferente)

No cargue la batería del control manual dentro del baño. Sólo cargue la batería de su control manual sobre una superficie sólida y plana, a temperatura ambiente y no la cubra.

Etiqueta de número de serie

Encontrará todos los datos técnicos sobre la etiqueta de número de serie del AQUAJoy PREMIER PLUS

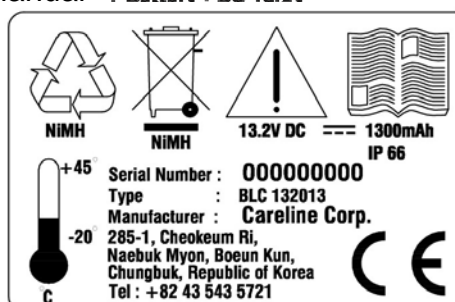
Etiqueta del actuador



Etiqueta del asiento



Etiqueta de la batería del control manual



Condiciones ambientales para uso, almacenamiento y transporte

Uso: Un rango de temperatura ambiental de 50 F° a 104F° (+10 C° a +40C°).

Un rango de humedad relativa del 30 al 75%.

Un rango de presión atmosférica de 700 hPa a 1060 hPa

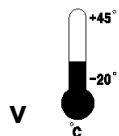
Almacenaje y transporte:

Un rango de temperatura ambiental de -31F° a 122F° (-35 C° a 50C°).

Un rango de humedad relativa del 10 al 100%.

Un rango de presión atmosférica de 300 hPa a 1060 hPa Menos de 30 días a 50°C

¿Qué es lo que significan los símbolos sobre las etiquetas?



Rango de temperatura de almacenamiento



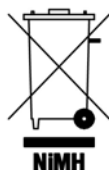
Precaución 13.2



Lea las instrucciones cuidadosamente



Reciclable



Desechar correctamente

MONTAJE / INSTALACIÓN

COMO INSTALAR SU SILLA ELEVADORA AQUAJoy PREMIER PLUS

NOTE POR FAVOR: ASEGÚRESE AL INSTALAR SU SILLA ELEVADORA AQUAJoy PREMIER PLUS DE COLOCARLA EN EL EXTREMO OPUESTO A LAS VÁLVULAS DEL AGUA.

NOTE POR FAVOR: AL CONECTAR EL RESPALDO A LA BASE DEL ASIENTO DE LA SILLA ELEVADORA, **ASEGÚRESE DE QUE LAS RANURAS Y LAS CLAVIJAS ESTÉN ALINEADAS CORRECTAMENTE.** (VER LA FOTO DE ABAJO)

ASEGÚRESE POR FAVOR QUE EL RESPALDO DE LA SILLA ELEVADORA ESTE TOTALMENTE PLANO (NO EN UN ANGULO), COMO SE INDICA EN LA FOTO DE ABAJO, Y PRESIONADO SOBRE LAS RANURAS ANTES DE LEVANTARLO. NO COLOQUE LAS CUBIERTAS HASTA QUE TERMINE DE ARMARLO.

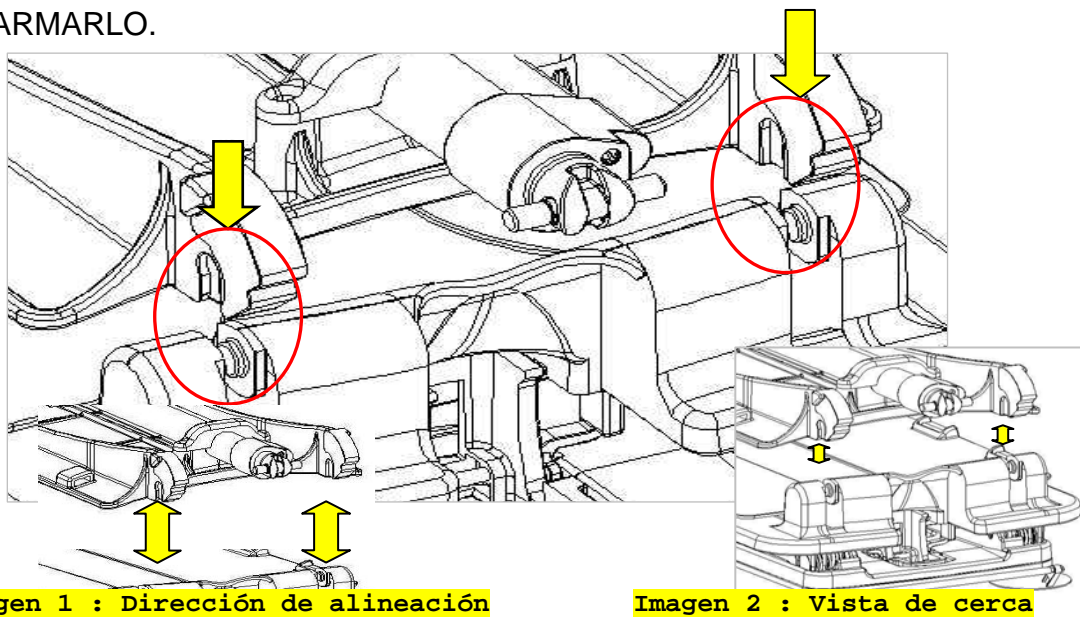


Imagen 1 : Dirección de alineación

Imagen 2 : Vista de cerca

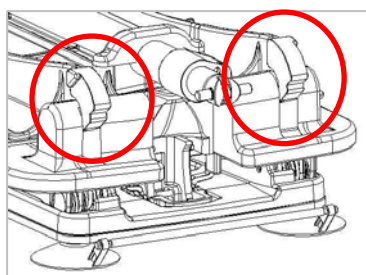


Imagen 3 : Totalmente armado

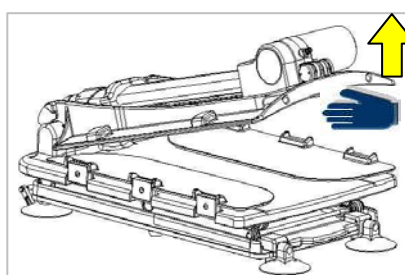
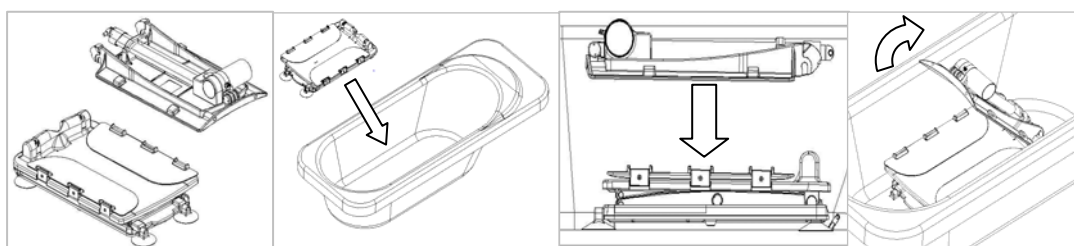


Imagen 4: Levantar hacia arriba desde el centro

INSTALANDO SU SILLA ELEVADORA

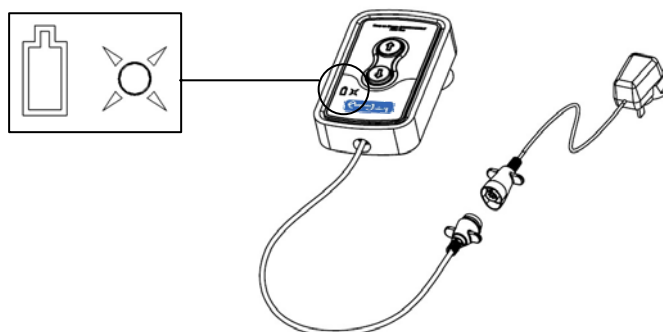


- Asegúrese que su bañera esté limpia y seca antes de instalar su silla elevadora.
- Simplemente saque las partes de la silla elevadora de la caja (primero saque el respaldo y luego el asiento (base)).
- Coloque el asiento (base) sobre una superficie plana de la bañera. Asegúrese de que exista suficiente espacio para que la silla elevadora se recline totalmente. **PRECAUCIÓN:** Asegúrese de que las copas de succión de las patas de su silla elevadora para bañeras se peguen de manera segura al fondo de su bañera. Si tiene hoyuelos u ondas sobre su bañera, tal vez necesite comprar patas de succión adicionales para la parte del medio para asegurar que se adhiera de manera segura a la bañera. Verifique por favor que las copas de succión de las patas estén pegadas al fondo de su bañera en todo momento antes de tomar un baño.
- Tome el respaldo y simplemente colóquelo de forma plana sobre el asiento, haciendo que las ranuras del respaldo concuerden con las del asiento (ver el punto anterior).
- Simplemente levante el respaldo hacia arriba hasta que esté totalmente reclinado.

NOTE POR FAVOR: ANTES DE USAR SU SILLA ELEVADORA AQUAJoy PREMIER PLUS / JUNIOR PLUS, CARGUE LA BATERÍA DE SU CONTROL MANUAL POR AL MENOS DOCE HORAS. DESPUÉS DEL PRIMER USO, CONTINÚE CARGANDO LA BATERÍA DE SU CONTROL MANUAL DESPUÉS DE CADA BAÑO. NO PUEDE SOBRECARGAR DE MÁS LA BATERÍA DE SU CONTROL MANUAL. SI LA LUZ INDICADORA PARPADEA EN ROJO EN SU CONTROL MANUAL QUIERE DECIR QUE NO TIENE LA SUFICIENTE CARGA PARA USAR SU SILLA ELEVADORA. RECÁRGUELO POR FAVOR INMEDIATAMENTE. LA LUZ INDICADORA DEL CONTROL MANUAL SE CAMBIARA A ÁMBAR CUANDO ESTE EN PROCESO DE CARGADO. LA LUZ

INDICADORA DEL CARGADOR SE CAMBIARA A ROJO CUANDO ESTE EN PROCESO DE CARGADO.

COMO CARGAR SU SILLA ELEVADORA AQUAJoy PREMIER PLUS

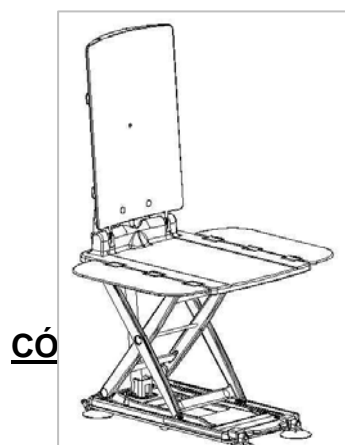


Si ya está conectada, separe el cable de la batería del control manual del cable de la silla elevadora (respaldo). Si no está conectada, simplemente saque la batería del control manual del empaque. Por razones de seguridad, por favor asegúrese de no cargar la batería de su control manual en el baño.

Conecte el cable de la batería del control manual al cargador. Conecte el enchufe del cargador a la toma de corriente. Por favor, deje que la batería del control manual se cargue por aproximadamente 12 horas cuando reciba por primera vez su silla elevadora. Esto proporcionará aproximadamente 15 elevaciones, hacia arriba y abajo (a 175#) en su silla elevadora. No puede sobrecargar de más la batería de su control manual. Si usted no puede bañarse por sí mismo, utilice la silla elevadora solamente bajo supervisión.

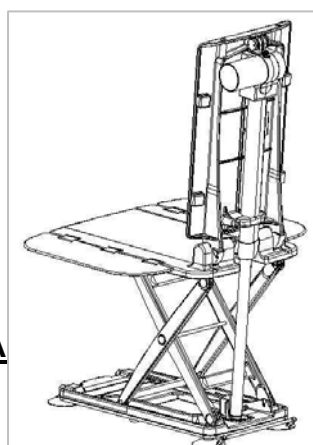
Le recomendamos que cargue la batería del control manual continuamente después de cada baño. Si espera más de una semana entre baños, le recomendamos que cargue la batería de su control manual antes de bañarse o al menos por 12 horas a la semana. La luz indicadora del control manual se pondrá en ÁMBAR para avisarle que se está cargando. La luz indicadora del cargador cambiará a rojo para avisarle que se está cargando.

BAÑÁNDOSE CON SU AQUAJoy PREMIER PLUS



CÓ

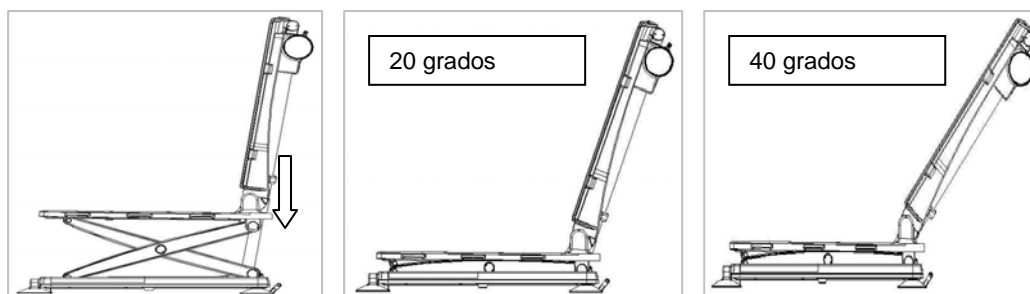
USU SU SILLA



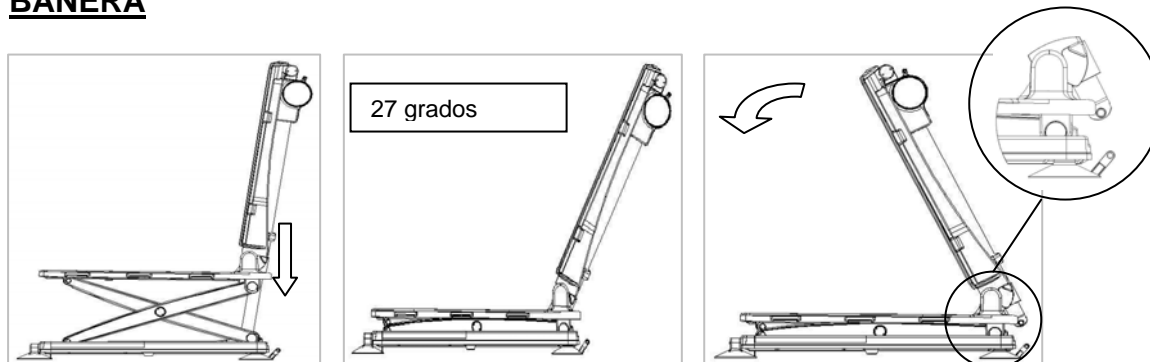
JOY PREMIER PLUS

Después de instalar fácilmente su **SILLA ELEVADORA AQUAJoy PREMIER PLUS** fije el conector de la batería del control manual totalmente cargada al conector de la parte de atrás del respaldo. Sujete el control manual de batería y presione el botón "up" (arriba). Continúe presionando y la silla elevadora se levantará. Cuando la silla elevadora se nivele con la parte superior de su bañera, quite su dedo del botón "up" y la silla se dejará de mover. Siéntese sobre el ala lateral de la silla elevadora (ésta debe estar descansando de forma plana sobre el lado de su bañera) con sus piernas contra la bañera. Deslícese/arrástrese hacia la parte del medio de la silla y levante una pierna a la vez sobre la orilla de la bañera. Gire para que quede sentado en la posición correcta para tomar un baño cómodo. (Si tiene problemas deslizándose/arrastrándose, por qué no probar nuestro "**ACCESORIO GIRATORIO Y DESLIZANTE AQUAJoy** ".)

Al presionar el botón "abajo" en su control manual la silla se bajará a su posición deseada para tomar un baño. La silla elevadora lo llevará de manera segura y cómoda al fondo de la bañera. En el fondo, usted se sentará a un ángulo de 20 grados. Si quiere reclinarla cuando está en el fondo de la bañera, simplemente continúe presionando el botón "down" (abajo) y el respaldo de la silla se inclinará. (Puede reclinar la silla hasta un máximo de 40 grados) También puede dejar de reclinar la silla en cualquier momento al simplemente dejar de presionar el botón "down" (abajo). Cuando haya terminado de bañarse, simplemente presione el botón "up" (arriba) en su control manual. Continúe presionando el botón "up" (arriba) hasta que la silla esté nivelada con la parte superior de su bañera. Asegúrese por favor que las alas laterales descansen en forma plana sobre el lado de la bañera cuando se salga fuera de su silla elevadora.

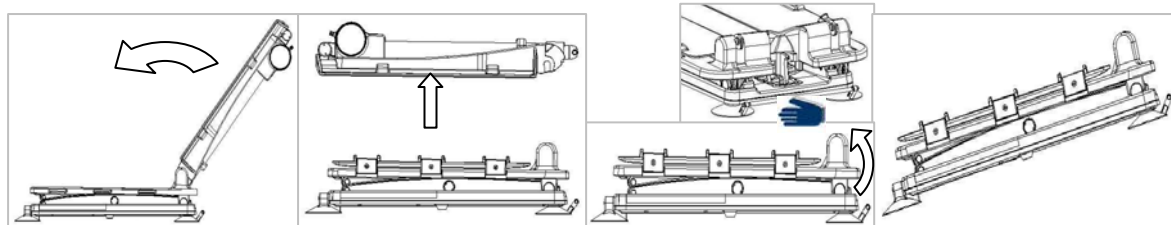


CÓMO SACAR SU SILLA ELEVADORA AQUAJoy PREMIER PLUS DE SU BAÑERA



Vacíe el agua de la bañera. Presione el botón "down" (abajo) en el control manual, coloque la silla elevadora en la posición más baja dentro de la bañera, continúe presionando el botón "down" hasta que el respaldo llegue a la posición de totalmente reclinado. Sujete las dos alas laterales y dóblelas hacia adentro sobre el asiento. Tome el respaldo, empújelo hacia adelante de manera que quede plano sobre el asiento.

SACANDO SU SILLA ELEVADORA



Con el respaldo doblado hacia adelante sobre el asiento de la silla elevadora, simplemente desenganche el respaldo de la base al levantarlo hacia arriba (como se indica arriba). Las ranuras del respaldo se separarán de las ranuras del asiento (base).

Para quitar el asiento (base), simplemente coloque una mano sobre la barra elevadora en la parte trasera de la base y levántele para sacar la silla elevadora de la bañera. Continúe levantando y las patas de succión del frente de la silla se liberarán automáticamente. Coloque su otra mano en la parte del frente de la silla elevadora y levante. Continúe levantando la base de la silla fuera de la bañera y ahora ya la puede guardar.

SERVICIO Y MANTENIMIENTO La **SILLA ELEVADORA AQUAJoy PREMIER PLUS** requiere de mantenimiento y servicio mínimo. Verifique por favor que todo esté trabajando bien a intervalos regulares (al menos una vez al mes). El actuador de la silla elevadora se prueba al menos a 10,000 ciclos si se usa y se le da mantenimiento correctamente o si se usa en el medio ambiente para el que fue diseñado. Sin embargo, para maximizar la vida de su silla elevadora y para asegurar una confiabilidad, desempeño y seguridad óptima, AquaJoy Bathlifts Ltd recomienda que reemplace su control manual, actuador y cargador de acuerdo con la garantía del producto.

LISTA DE REVISIÓN DE RUTINA

PARA REVISAR QUE LAS SIGUIENTES PARTES ESTÁN EN BUENAS CONDICIONES, SIGA POR FAVOR EL PROCEDIMIENTO DE ABAJO:-

BATERÍA DEL CONTROL MANUAL

Fije su control manual de batería a su silla elevadora, presione el botón UP (arriba), la silla elevadora subirá. Presione el botón Down (abajo) y la silla elevadora deberá bajar. Cuando este presionando cualquiera de los botones, si la luz indicadora parpadea en rojo en el control manual, entonces necesita volver a cargar la batería del control manual inmediatamente. Aparecerá una luz ámbar cuando el control manual está en el proceso de cargado. Si no aparece ninguna luz, por favor intente con un cargador diferente (si está disponible). Si el problema persiste y todavía no aparece ninguna luz, por favor contacte a su proveedor.

CARGADOR

Fije su cargador a su batería del control manual. Si el cargador tiene una luz roja y el control manual tiene una luz ámbar, deje el cargador en su lugar. Si el control manual no tiene ninguna luz, por favor intente con un cargador diferente (si está disponible). Si la luz del control manual se cambia a ámbar, contacte a su proveedor sobre el cargador original. Si su cargador no tiene una luz, contacte a su proveedor.

ACTUADOR

Fije el control manual a su silla elevadora y presione el botón Up (arriba) para revisar el viaje hacia arriba de la silla elevadora y presione el botón Down (abajo) para revisar el viaje hacia abajo de la silla elevadora. Si la silla elevadora no se mueve hacia arriba o abajo, trate primero con un control manual diferente (si está disponible). Si el problema persiste, contacte por favor a su proveedor en relación con el motor de su silla elevadora. El LED de luz ámbar del control manual aparecerá sólo cuando está en el proceso de cargado. La luz del LED parpadeará en rojo para avisarle que su control manual necesita cargarse cuando el control manual y el actuador están conectados juntos y la silla elevadora está funcionando.

COPAS DE SUCCIÓN

Asegúrese de que las copas de succión de las patas de su silla elevadora estén pegadas de manera segura al fondo de su bañera. Si tiene hoyuelos u ondas sobre su bañera, tal vez necesite comprar patas de succión adicionales para la parte del medio para asegurar que se adhiera de manera segura a la bañera. Verifique por favor que las copas de succión de las patas estén pegadas al fondo

de su bañera en todo momento antes de tomar un baño y limpie y quite cualquier residuo de las patas de succión.

OPERACIÓN DE LA SILLA ELEVADORA

Fije el control manual a su silla elevadora. Presione el botón Down (abajo) para revisar que se baja de manera segura (poniendo especial atención al mecanismo de tijera de la parte de abajo del asiento de la silla) y presione el botón para revisar que se suba de manera segura (poniendo especial atención al mecanismo de tijera debajo del asiento de la silla). Si existen obstrucciones, retírelas por favor. Si existe un problema, por favor contacte a su proveedor para recibir asesoría adicional. **ADEMÁS ASEGÚRESE DE QUE LA SILLA ELEVADORA SE LIMPIE REGULARMENTE PARA ASEGURAR UN FUNCIONAMIENTO SEGURO** (al menos una vez por semana). El actuador de la silla elevadora se prueba al menos a 10,000 ciclos si se usa y se le da mantenimiento correctamente o si se usa en el medio ambiente para el que fue diseñado. Sin embargo, para maximizar la vida de su silla elevadora y para asegurar una confiabilidad, desempeño y seguridad óptima, AquaJoy Bathlifts Ltd recomienda que reemplace su control manual, actuador y cargador de acuerdo con la garantía del producto.

LIMPIEZA - SILLA ELEVADORA Y CUBIERTAS

Para limpiar la silla elevadora, simplemente use un limpiador casero para uso normal y un paño húmedo. La silla elevadora AquaJoy Premier Plus puede usarse con o sin cubiertas. Las cubiertas estándar se pueden quitar y lavar fácilmente en su lavadora a una temperatura máxima de 140°F. Recomendamos que lave las cubiertas después de dos o tres baños si es posible para evitar la acumulación de suciedad o residuos. El juego opcional de la cubierta con gel puede quitarse y lavarse fácilmente con una solución con jabón.

TENGO UN PROBLEMA CON MI SILLA ELEVADORA.....

1. ¿ESTÁ TOTALMENTE CARGADA LA BATERÍA DE SU CONTROL MANUAL? ¿APARECE UNA LUZ ROJA EN EL CONTROL MANUAL CUANDO PRESIONA EL BOTÓN UP/DOWN (ARRIBA/ABAJO)?

REVISE POR FAVOR SU CONTROL MANUAL - SISTEMA DE LUZ ÁMBAR

Fije el cargador a su control manual, luego conecte el cargador a una toma de corriente. Si el control manual tiene una luz ámbar, deje el cargador en su lugar para cargarlo. **NOTA:** La luz permanecerá color ámbar para indicar que se está cargando y no se pondrá roja. Si no aparece ninguna luz, por favor intente con un cargador diferente si está disponible. Si el problema persiste y todavía no aparece ninguna luz, por favor contacte a su proveedor.

2. ¿CÓMO CARGO LA BATERÍA DE MI CONTROL MANUAL?

Si ya lo fijó en la silla elevadora, quite el control manual. El control manual se fija a la silla elevadora por medio de los adaptadores amarillo y rojo que están al final del cable. Sepárelos y luego jale de ellos para quitar el control manual. Ahora, fije el adaptador negro del cargador que se proporciona con el AquaJoy Premier Plus con el control manual del AquaJoy Premier Plus de la misma manera y conecte el enchufe de tres tomas a la toma de corriente principal. Ahora, encienda el suministro principal. Deberá aparecer una luz roja en su cargador y una luz ámbar en su control manual.

AL RECIBIR POR PRIMERA VEZ SU SILLA ELEVADORA Y SIN IMPORTAR EL COLOR DE LA LUZ INDICADORA EN EL CONTROL MANUAL, RECARGUE POR FAVOR LA BATERÍA DE SU CONTROL MANUAL POR DOCE HORAS. LA LUZ INDICADORA DEL CONTROL MANUAL SE CAMBIARA A ÁMBAR CUANDO ESTE EN PROCESO DE CARGADO. ESTO ASEGURARA QUE LA BATERÍA DEL CONTROL MANUAL ESTE LISTA PARA EL USO NORMAL. LA LUZ INDICADORA DEL CONTROL MANUAL SE CAMBIARA A ROJO CUANDO ESTE EN PROCESO DE CARGADO. DESPUÉS DE DOCE HORAS DE CARGA, POR FAVOR RECARGUE LA BATERÍA DE SU CONTROL MANUAL DESPUÉS E CADA BAÑO O AL MENOS POR 12 HORAS A LA SEMANA. SI LA LUZ INDICADORA EN EL CONTROL MANUAL PARPADEA CON UNA LUZ ROJA, POR FAVOR RECARGUE LA BATERÍA DE SU CONTROL MANUAL INMEDIATAMENTE. SOLAMENTE CARGUE LA BATERÍA DE SU CONTROL MANUAL SOBRE UNA SUPERFICIE PLANA Y NO LO CUBRA.

3. ¿PUEDO O CÓMO LAVO MIS CUBIERTAS?

La **SILLA ELEVADORA AQUAJoy PREMIER PLUS puede usarse con o sin cubiertas**. Las cubiertas estándar pueden quitarse y lavarse fácilmente en su lavadora hasta una temperatura máxima de 140°F. No debe colocar las cubiertas en la secadora, cuélguelas para que se sequen al aire. El juego opcional de la cubierta con gel puede quitarse y lavarse fácilmente con una solución con jabón. Recomendamos que lave sus cubiertas después de tomar dos o tres baños, si es posible, para evitar la acumulación de suciedad o residuos.

4. PARECE QUE LAS DOS PATAS CON COPAS DE SUCCIÓN DELANTERAS NO SE ESTÁN PEGANDO AL FONDO DE LA BAÑERA.

Algunas bañeras tienen hoyuelos u ondas sobre la base de la bañera. Estas ondas generalmente aparecen hasta la mitad de la base de la bañera. Si las dos patas de succión frontales no se están pegando de manera segura al fondo de la bañera, por favor contacte a su proveedor para comprar una pata de succión extra para la parte del medio. Estas simplemente se atornillan a los dos hoyos en la parte de en medio que ya vienen debajo de la silla elevadora. Si agrega las dos patas de succión extra en la parte del medio, debe haber suficiente succión con estas dos patas y las dos patas traseras. Verifique por favor que las copas de

succión de las patas estén pegadas al fondo de su bañera en todo momento antes de tomar un baño y limpie y quite cualquier residuo de las patas de succión.

5. ¿PUEDO USAR EMOLIENTES, CREMAS, ACEITES EN LA BAÑERA CON MI SILLA ELEVADORA?

Sí, sin embargo, asegúrese de enjuagar y limpiar minuciosamente cualquier residuo de la base de la bañera y de las copas de succión. Verifique por favor que las copas de succión de las patas estén pegadas al fondo de su bañera en todo momento antes de tomar un baño y asegúrese de que limpiar todos los residuos después de cada baño. También le recomendamos que lave sus cubiertas más a menudo, por ejemplo después de cada baño si es posible.

6. SI DEJO CARGANDO LA BATERÍA DE MI CONTROL MANUAL, ¿LA DAÑARE?

Por, cargue la batería del control manual por 12 horas cuando reciba por primera vez su silla elevadora. Luego deje cargando el control manual después de cada baño. No puede sobrecargar de más la batería de su control manual. Una batería totalmente cargada le proporcionará aproximadamente quince elevaciones completas hacia arriba y abajo. Sólo cargue la batería de su control manual sobre una superficie sólida y plana, a temperatura ambiente y no la cubra.

7. ¿CÓMO LIMPIO MI CONTROL MANUAL CON BATERÍA?

Para limpiar la esponja que está adentro del control manual, simplemente quite los dos tornillos de la parte de atrás del control manual y saque la esponja de la caja de control. Límpielo como sea necesario y simplemente reemplace la batería de su control manual dentro de la esponja y vuelva a colocar los tornillos.

8. ¿NECESITO USAR LAS ALAS LATERALES DE DESVIACIÓN? (Alas de plástico gris/blanca empacadas con todas las sillas elevadoras)

Sí, si tiene agarraderas en su bañera asegúrese de colocar las alas laterales de desviación a las agarraderas de su bañera. No hacerlo puede que obstruya el mecanismo y afectará su garantía. Si las alas laterales de la silla elevadora se atrapan debajo de la agarradera de su bañera, pare, presione el botón Down (abajo) de su control manual, asegúrese de que el ala lateral ya no esté atrapada debajo de la agarradera y presione el botón Up (arriba) en su control manual.

DATOS TÉCNICOS

Longitud del asiento: 580 mm (22.8 pulgadas)

Ancho del asiento con las alas laterales del asiento extendidas: 686 mm (27 pulgadas)

Ancho del asiento con las alas laterales del asiento dobladas hacia adentro: 390 mm (15.3 pulgadas)

Altura del asiento en su posición más baja: 90 mm (3.5 pulgadas)

Altura del asiento en su posición más alta: 465 mm (18.3 pulgadas)

Profundidad del asiento medido desde el respaldo hasta la orilla del frente: 490 mm (19.3 pulgadas)

Altura del respaldo: 604 mm (23.8 pulgadas)

Ancho del respaldo: 340 mm (13.4 pulgadas)

Capacidad de carga: 170 kg (26.7 piedra, 175 lb)

Peso total sin batería: 13.64kg (30 lb)

Peso del asiento: 7.70kg (16.94 lb)

Peso de las alas laterales: 0.94kg (2.07 lb)

Peso del respaldo: 5 kg (11 lb)

Peso del control manual con batería: 670 gr.

Duración de carrera (80 kg carga): Hacia arriba aprox. 50 seg., hacia abajo aprox. 35 seg.

Voltaje de operación: 13.2 V CD

Consumo máximo de corriente: 5.8^a

Entrada nominal: 13.2V CD

Ruido del motor sin carga: aprox. 50 dB (de acuerdo a DIN 3746)

Equipo médico tipo B

Clase de protección: IP 66

Ciclo de trabajo: Max. 5%, Max. 3min/hora

Batería: 13.2V 1300mAh (Ni-MH)

Cargador de la batería

Entrada: 100-240 ~ 60/50Hz 138mA

Salida: 20V DC 250mA 5.0VA

Peso: RU 84g/ EU 78g/ EE.UU. 78g

Tiempo de cargado con una batería muerta: aprox. 12 hr

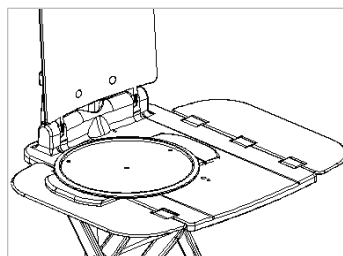
ACCESORIOS

PARA PONER Y QUITAR LAS CUBIERTAS

Si tiene cubiertas para su silla elevadora, póngalas por favor antes de bañarse. Para poner la cubierta del asiento, coloque la cubierta sobre el asiento y deslice las dos alas laterales del asiento en cualquiera de los lados de la cubierta, igual que como lo hace con la sabana de abajo de su cama. Presione las alas laterales hacia abajo de manera que la cubierta quede colocada de manera segura. ¡ASEGÚRESE DE QUE SE COLOCO DE MANERA SEGURA ANTES DE BAÑARSE!

Para colocar la cubierta en el respaldo, estire las cuatro esquinas de plástico (en la parte de atrás de su cubierta) sobre las cuatro esquinas del respaldo de su silla elevadora.

UNIDAD GIRATORIA Y DESLIZANTE

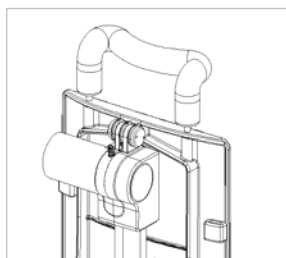
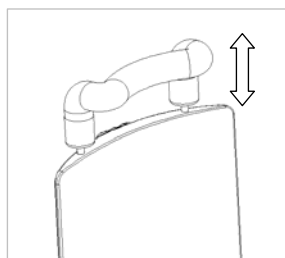


El disco de transferencia del AquaJoy Premier Plus le ayudará a subir y bajarse de la silla elevadora con mayor facilidad y seguridad. Es ideal para personas que tienen dificultad para arrastrarse hacia el centro de la silla elevadora y les permite deslizarse y girar a la posición correcta para bañarse. Simplemente coloque la unidad giratoria y deslizante en su posición preferida sobre la base del asiento.

BOLSA PARA TRANSPORTE

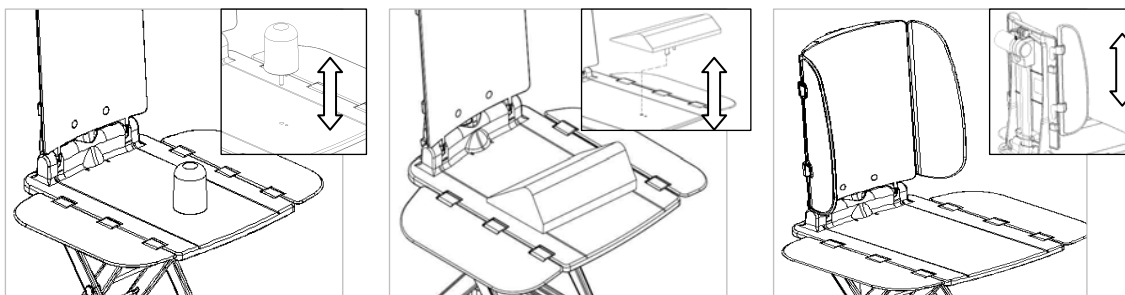
La bolsa para transporte es la manera ideal y más fácil de almacenar su silla elevadora. ¡Y si va a salir de vacaciones, por qué no llevarse con usted su silla elevadora!

REPOSACABEZAS



El reposacabezas AquaJoy Premier Plus proporciona apoyo y comodidad adicional mientras se baña. Para colocar el reposacabezas simplemente coloque los dientes dentro de los dos hoyos ubicados en la parte superior del respaldo de la silla elevadora. Para quitarlo, simplemente levante hacia arriba y el reposacabezas saldrá.

SILLA ELEVADORA AQUAJoy JUNIOR PLUS (PARA NIÑOS Y JÓVENES)



PARA COLOCAR EL POMO

Coloque los dientes del pomo dentro de los hoyos de colocación del asiento (base) y presione hacia abajo. El pomo quedará en su lugar. Si se necesitan hacer hoyos a las cubiertas de la silla elevadora AquaJoy para que se pueda colocar el pomo o la cuña, estos se harán en la planta antes de enviar el AquaJoy.

PARA QUITAR EL POMO

Simplemente jale hacia arriba y el pomo saldrá

PARA PONER LA CUÑA ACOLCHONADA

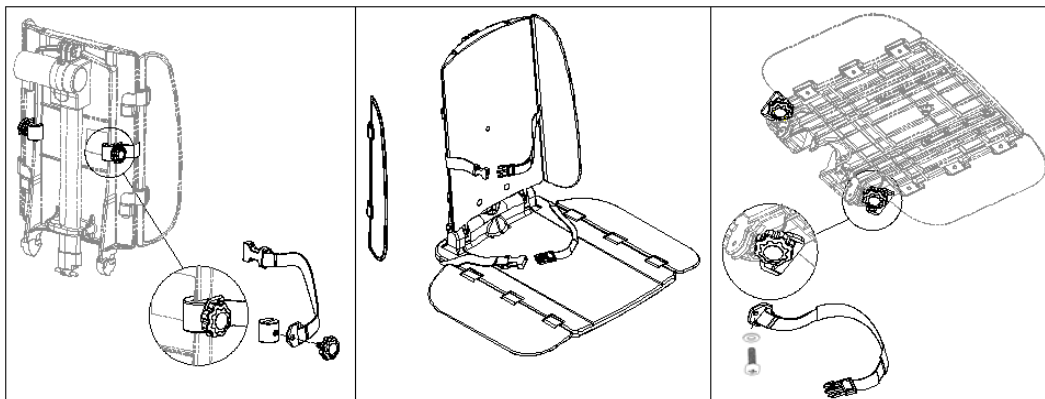
Coloque los dientes de la cuña acolchonada dentro de los hoyos de colocación del asiento (base) y presione hacia abajo. La cuña acolchonada quedará en su lugar.

Si se necesitan hacer hoyos a las cubiertas de la silla elevadora AquaJoy para que se pueda colocar el pomo o la cuña, estos se harán en la planta antes de enviar el AquaJoy.

PARA COLOCAR LAS ALAS DE APOYO SOBRE EL RESPALDO

Simplemente coloque las guías sobre las alas dentro de los puntos de colocación en cualquiera de los lados del respaldo.

PARA QUITAR LAS ALAS DE APOYO SOBRE EL RESPALDO Simplemente jale hacia arriba desde los puntos de colocación y las alas de apoyo saldrán.

PARA COLOCAR LOS ARNÉS DEL PECHO Y DEL REGAZO

La ménsula fijadora del arnés del pecho debe colocarse en la parte de atrás del respaldo. Se ajusta al deslizar la ménsula hacia arriba o abajo del respaldo de manera que el cinturón quede en la posición más cómoda para la altura del cliente. El arnés se asegura al atornillar la perilla dentro de la ménsula fijadora como se muestra en el diagrama de arriba. (La parte corta de las dos piezas del arnés del pecho debe fijarse al lado a donde se transfiere el cliente para poder quitarlas de manera segura y rápida). El tamaño del arnés del pecho se puede ajustar de un lado al jalar el material a través de la hebilla (igual que con un cinturón). Para asegurar al usuario, simplemente introduzca el clip del arnés del pecho dentro de la hebilla.

El arnés para el regazo debe fijarse debajo del lado trasero de la base del asiento. (La parte corta de las dos piezas del arnés del regazo debe fijarse al lado a donde se transfiere el cliente para poder quitarlas de manera segura y rápida). El arnés se asegura al atornillar la perilla dentro del encastre como se muestra en el diagrama de arriba. El tamaño del arnés del regazo se puede ajustar de un lado al jalar el material a través de la hebilla (igual que con un cinturón). Para asegurar al usuario, simplemente introduzca el clip del arnés del regazo dentro de la hebilla.

GARANTÍA LIMITADA

Drive garantiza este producto por tres años en el armazón, el actuador y el cargador y 1 año en la batería del control manual y los accesorios a partir de la fecha de compra.

La garantía se proporciona contra defectos en materiales y fabricación. Esta garantía no es válida en el caso de uso y desgaste justo, daño premeditado, negligencia común, mal uso o alteración o reparación no autorizada por personas no calificadas. La decoloración de las cubiertas es ocasionada por el uso y desgaste normal y no se incluyen en la garantía.

Si usted tiene alguna pregunta acerca de su aparato Drive o esta garantía, por favor contacte a un representante autorizado de Drive.

GUIDE ABRÉGÉ

RECHARGE DE LA TÉLÉCOMMANDE

Avant d'utiliser votre siège élévateur de bain, veuillez recharger votre télécommande pendant douze heures. Veuillez recharger votre télécommande après chaque utilisation, ou au moins douze heures par semaine. Vous ne pouvez pas surcharger votre télécommande. Si le témoin lumineux rouge de la télécommande clignote, la charge résiduelle est insuffisante pour utiliser le siège élévateur. Veuillez la recharger immédiatement. Le témoin lumineux passe à la couleur ambre pendant la recharge. Le témoin lumineux rouge du chargeur s'allume pendant la recharge. Veuillez charger votre télécommande sur une surface solide et plate à la température normale de la pièce et ne la couvrez pas.

DÉFLECTEURS DE VOLETS LATÉRAUX

Si votre baignoire est équipée de poignées de soutien, assurez-vous d'installer les déflecteurs de volets latéraux (bandes de plastique fournies avec votre siège élévateur) sur les poignées. Si vous négligez de le faire, le fonctionnement du siège peut être obstrué et ceci peut affecter la garantie.

INSTALLATION

Lorsque vous assemblez le dossier à la base du siège, assurez-vous que les tenons sont parfaitement engagés dans les mortaises et sont bien à plat. Appuyez fermement sur les mortaises vers le bas avant de relever le dossier.

VENTOUSES

Assurez-vous que les ventouses de votre siège élévateur de bain adhèrent bien au fond de la baignoire. Si le fond de la baignoire est texturé, vous pourriez devoir acheter des ventouses centrales supplémentaires pour garantir la stabilité du siège. Veuillez vérifier l'adhésion des ventouses avant chaque utilisation du siège.

Cher client

Merci d'avoir acheté le siège élévateur de bain AquaJoy Premier Plus.

Le siège élévateur de bain **AQUAJoy PREMIER PLUS** a été conçu pour augmenter votre niveau de confort pendant le bain. Le siège élévateur de bain **AQUAJoy PREMIER PLUS** peut être utilisé à la maison, dans un environnement multi-usager et par des professionnels des soins de santé. Si vous ne pouvez prendre un bain sans assistance, utilisez toujours ce produit sous supervision.

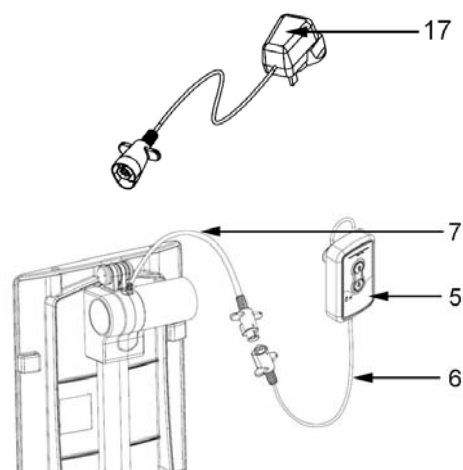
Veillez lire ce guide d'utilisation avec soin avant d'utiliser votre siège élévateur de bain et respectez toutes les instructions, particulièrement celles qui ont trait à la sécurité.

Le siège **AQUAJoy PREMIER PLUS** est garanti pendant trois ans (à l'exclusion de la télécommande à pile et des accessoires qui sont garantis pendant un an, sauf si une entente particulière a été négociée). La garantie prend effet le jour de l'achat.

Voici les principales
composantes du siège
AQUAJoy PREMIER PLUS :

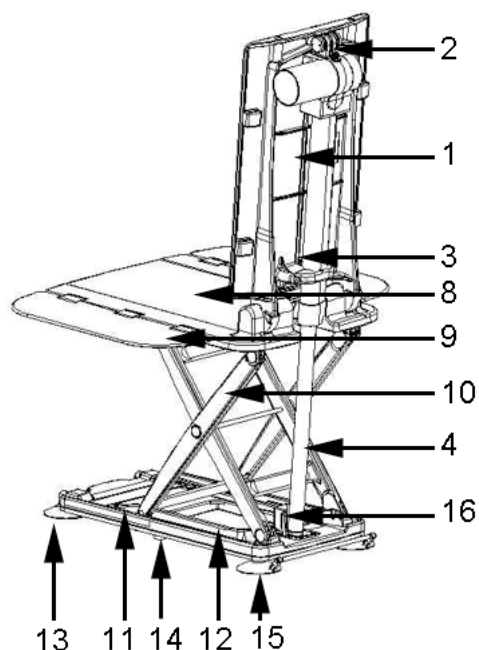
Dossier

1. Dossier
2. Moteur
3. Support de moteur
4. Axe de l'arbre
5. Télécommande à pile
6. Câble de la télécommande
7. Câble du moteur



Siège complet (base)

8. Seat base
9. Volets latéraux
10. Mécanisme à ciseaux
11. Glissière
12. Base
13. Ventouses avant
14. Ventouses centrales
15. Ventouses arrière
16. Pivot inclinable



Instructions concernant la sécurité

- Le siège élévateur de bain AquaJoy Premier Plus ne peut être utilisé que pour aider une personne à la fois pour l'accès et la sortie du bain. Il ne doit pas être utilisé comme plateforme élévatrice à l'extérieur du bain. Les enfants ne doivent pas utiliser ce produit comme un jouet.
- Si vous ne pouvez prendre un bain sans assistance, utilisez toujours ce produit sous supervision.
- Avant de prendre un bain, faites fonctionner le siège élévateur à vide pour en vérifier le fonctionnement.

- Avant chaque utilisation, assurez-vous que les ventouses adhèrent bien au fond de la baignoire.
- Avant chaque utilisation, assurez-vous que les mortaises sont bien engagées sur les tenons et bien à plat (voir pages 6 et 7).
- Suivez toujours les consignes concernant la recharge de la télécommande.
- Vérifiez toujours la température de l'eau avant le bain.
- Une utilisation excessive d'huiles ou de sel de bain fait en sorte que vous devrez nettoyer le siège plus fréquemment.
- Ne placez jamais vos mains ou vos membres entre la base et le siège. Le mécanisme en ciseau peut cause des blessures.
- Vérifiez toujours que rien n'obstrue le mécanisme avant d'utiliser le siège.
- Assurez-vous que la l'agrafe de la télécommande est toujours branchée au moteur pendant l'utilisation du siège.
- Débranchez toujours la télécommande lorsque le dossier est rabattu.
- Installez le siège AquaJoy Premier Plus à l'opposé de la robinetterie dans la baignoire.
- Si votre baignoire est équipée de poignées de soutien, assurez-vous d'installer les déflecteurs de volets latéraux (bandes de plastique fournies avec votre siège élévateur) sur les poignées. Si vous négligez de le faire, le fonctionnement du siège peut être obstrué et ceci peut affecter la garantie. Si les volets se coincent dans les poignées du bain, ARRÊTEZ immédiatement et appuyez sur le bouton BAS de la télécommande. Assurez-vous que les volets sont libres avant de remonter le siège.
- N'utilisez le siège AquaJoy Premier Plus qu'avec la télécommande à pile AquaJoy Premier Plus fournie.
- N'utilisez que le chargeur de pile AquaJoy Premier Plus pour recharger votre télécommande (n'utilisez jamais un autre modèle de chargeur).
- Veuillez charger votre télécommande sur une surface solide et plate à la température normale de la pièce et ne la couvrez pas.
- Lorsque vous relevez le dossier du siège élévateur après avoir fixé le dossier, assurez-vous de bien déployer le dossier (inclinaison) avant d'utiliser le siège.

BATTERIE ET CHARGEUR

- La télécommande à pile ne doit pas être jetée au feu ni entreposée près d'une flamme. Mettez la pile au rebut de manière appropriée.
- Ne tentez pas d'ouvrir la télécommande à pile.
- Après la première recharge de douze heures, rechargez votre télécommande après chaque utilisation ou au moins douze heures par semaine.

- N'utilisez le siège AquaJoy Premier Plus qu'avec la télécommande à pile AquaJoy Premier Plus fournie.
- N'utilisez que le chargeur de pile AquaJoy Premier Plus pour recharger votre télécommande (n'utilisez jamais un autre modèle de chargeur).
- Ne chargez pas la télécommande à pile à l'intérieur de la salle de bain. Veuillez charger votre télécommande sur une surface solide et plate à la température normale de la pièce et ne la couvrez pas.

Étiquette d'identification (numéro de série)

Vous trouverez les principales données techniques du produit sur les étiquettes d'identification du siège élévateur de bain AQUAJEY PREMIER PLUS.

Étiquette du moteur

Étiquette du siège

Étiquette de la télécommande à pile


Type: PA04428 10
 Max. Load: 3000N
 Power Rating: DC 13.2V Imax. 5.2A
 IP Rating: IP 66
 Duty Cycle: Max. 5%, Max. 3min./hour

AquaJoy Bathlifts by Drive
 99 Seaview Boulevard
 Port Washington, NY 11050
 Tel: 516-998-4600



AquaJoy Bathlifts by Drive
 99 Seaview Boulevard
 Port Washington, NY 11050
 Tel: 516-998-4600

Type: Premier Plus
 Serial Number: 000000000




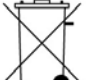

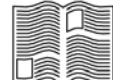
Conditions fondamentales pour l'utilisation, l'entreposage et le transport

Utilisation :

Température ambiante entre 50 °F et 104 °F (10 °C et 40 °C).
 Humidité relative entre 30 % et 75 %
 Pression atmosphérique entre 200


Entreposage et transport

Température ambiante entre -31 °F et 45 °F (-1 °C et 10 °C)
 Humidité relative entre 30 % et 75 %
 Pression atmosphérique entre 200
 Moins de

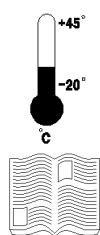





NIMH NIMH 13.2V DC 1300mAh IP 66

Serial Number: 000000000
 Type: BLC 132013
 Manufacturer: Careline Corp.
 285-1, Cheokeum Ri,
 Naebuk Myon, Boeun Kun,
 Chungbuk, Republic of Korea
 Tel: +82 43 543 5721



Que signifient ces symboles ?



Température d'entreposage



Mise en garde :
13,2 VCC

Lisez ces instructions avec soin



Recyclable

Mettre au rebut de manière appropriée

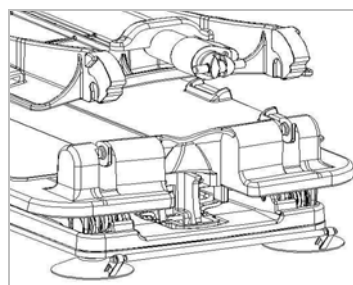
MONTAGE / INSTALLATION

COMMENT INSTALLER VOTRE SIÈGE ÉLÉVATEUR AQUAJEY PREMIER PLUS

NOTE IMPORTANTE : ASSUREZ-VOUS D'INSTALLER LE SIÈGE ÉLÉVATEUR AQUAJoy DANS LA BAIGNOIRE, DU CÔTÉ OPPOSÉ À LA ROBINETTERIE.

NOTE IMPORTANTE : LORSQUE VOUS ASSEMBLEZ LE DOSSIER À LA BASE, **ASSUREZ-VOUS QUE LES TENONS SONT BIEN ENGAGÉS DANS LES MORTAISES** (VOIR LES ILLUSTRATIONS QUI SUIVENT).

ASSUREZ-VOUS QUE LE DOSSIER EST PARFAITEMENT À PLAT (ANGLE NUL) COMME SUR L'ILLUSTRATION ET APPUYEZ FERMEMENT VERS LE BAS SUR LES MORTAISES AVANT DE RELEVER LE DOSSIER. NE FIXEZ PAS LES HOUSSES AVANT QUE L'ASSEMBLAGE SOIT COMPLÉTÉ.



Ill 1: Alignement

Ill 2: Vue rapprochée

Ill 3: Engagement complet

Ill 4: Soulever par le centre

INSTALLATION DU SIÈGE ÉLÉVATEUR DE BAIN

- Assurez-vous que la baignoire est propre avant d'y installer le siège élévateur.
- Retirez le siège de la boîte, pièce par pièce (retirez d'abord le dossier, puis la base).
- Placez le siège (base) dans la partie plate de la baignoire. Assurez-vous qu'il y a assez de place pour permettre d'incliner le dossier du siège élévateur.
ATTENTION : Assurez-vous que les ventouses sont bien collées au fond de la baignoire. Si le fond de la baignoire est texturé, vous pourriez devoir vous procurer une ventouse centrale supplémentaire pour garantir une meilleure adhérence. Veuillez vérifier l'emprise des ventouses à chaque utilisation du siège élévateur.
- Placez ensuite le dossier à plat sur la base qui se trouve déjà dans la baignoire, en prenant soin d'aligner les mortaises sur les tenons (voir plus haut dans le texte).
- Soulevez simplement le dossier jusqu'à ce qu'il soit complètement relevé.

NOTE IMPORTANTE : AVANT LA PREMIÈRE UTILISATION DE VOTRE SIÈGE ÉLÉVATEUR AQUAJoy PREMIER PLUS / JUNIOR, VEUILLEZ CHARGER

VOTRE TÉLÉCOMMANDE À PILE PENDANT **DOUZE HEURES**. RECHARGEZ VOTRE TÉLÉCOMMANDE APRÈS CHAQUE UTILISATION. VOUS NE POUVEZ PAS SURCHARGER VOTRE TÉLÉCOMMANDE. SI LE TÉMOIN LUMINEUX ROUGE DE LA TÉLÉCOMMANDE CLIGNOTE, LA CHARGE RÉSIDUELLE EST INSUFFISANTE POUR UTILISER LE SIÈGE ÉLÉVATEUR. VEUILLEZ LA RECHARGER IMMÉDIATEMENT. LE TÉMOIN LUMINEUX PASSE A LA COULEUR AMBRE PENDANT LA RECHARGE. LE TÉMOIN LUMINEUX ROUGE DU CHARGEUR S'ALLUME PENDANT LA RECHARGE.

COMMENT RECHARGER VOTRE SIÈGE ÉLÉVATEUR AQUAJoy PREMIER PLUS

S'il est déjà branché, séparez le câble de la télécommande à pile du câble relié au dossier du siège élévateur. Si les deux câbles ne sont pas reliés, retirez simplement la télécommande de l'emballage.

Pour des raisons de sécurité, ne rechargez jamais votre télécommande à pile dans la salle de bain.

Branchez le câble de la télécommande à celui du chargeur.

Branchez le chargeur dans une prise murale. Laissez la télécommande ainsi pendant environ 12 heures avant d'utiliser le siège élévateur pour la première fois. Ceci permet d'effectuer environ quinze cycles de levage / rabaissement (avec une charge d'environ 80 kg (175 lb)). Vous ne pouvez pas surcharger la télécommande. Si vous ne pouvez prendre un bain sans assistance, utilisez toujours ce produit sous supervision.

Nous vous recommandons de recharger votre télécommande à pile continuellement après chaque utilisation. S'il s'écoule plus d'une semaine entre les utilisations, nous vous recommandons de recharger la télécommande avant la prochaine utilisation, ou au moins 12 heures par semaine. Le témoin de la télécommande passera à la couleur AMBRE pour indiquer que la recharge est en cours. Le témoin lumineux du chargeur s'illuminera en rouge pendant la recharge.

UTILISATION DE VOTRE SIÈGE AQUAJoy PREMIER PLUS DANS UNE BAINOIRE

Après avoir facilement installé votre siège élévateur **AQUAJoy PREMIER PLUS BATHLIFT**, reliez le connecteur de la télécommande complètement chargée à celui qui est relié au dossier.

Avec la télécommande bien en main, appuyez sur le bouton Haut (*Up*). Maintenez ce bouton enfoncé pour faire monter le siège. Lorsque le siège arrive à égalité avec le bord de la baignoire, relâchez le bouton Haut et l'ascension cessera.

Asseyez-vous sur le volet du siège élévateur (il devrait reposer sur le côté de votre baignoire) avec les jambes longeant la paroi de la baignoire. Glissez vers la position centrale du siège et passez une jambe à la fois à l'intérieur de la baignoire. Pivotez votre bassin de façon à prendre position naturellement sur le siège (si vous avez de la difficulté à glisser ou à pivoter, considérez l'acquisition de notre **DISQUE DE TRANSFERT AQUAJoy**).

Appuyez sur le bouton Bas (Down) de la télécommande pour faire descendre le siège à la profondeur désirée.

Le siège élévateur vous fera descendre confortablement et de manière sécuritaire vers le fond de la baignoire. Au fond, vous serez assis à un angle de 20 degrés. Si vous désirez incliner le dossier après avoir atteint le fond, maintenez le bouton Bas enfoncé et le dossier s'inclinera (vous pouvez l'incliner jusqu'à un maximum de 40 degrés).

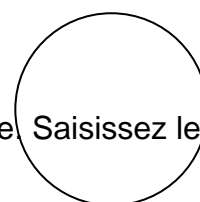
Vous pouvez cesser l'inclinaison à n'importe quel moment en relâchant le bouton Bas. Lorsque vous avez terminé votre bain, appuyez simplement sur le bouton Haut de la télécommande. Maintenez ce bouton enfoncé jusqu'à ce que le siège soit à égalité avec le bord de la baignoire. Assurez-vous que les volets reposent bien sur les bords de la baignoire avant de quitter le siège élévateur.

COMMENT RETIRER VOTRE SIÈGE ÉLÉVATEUR AQUAJoy PREMIER PLUS DE LA BAIGNOIRE

Videz l'eau de la baignoire.

Appuyez sur le bouton Bas de la télécommande jusqu'à ce que le siège élévateur soit à sa limite inférieure et maintenez le bouton enfoncé jusqu'à ce que le dossier soit complètement incliné.

Saisissez les deux volets et rabattez-les vers l'intérieur, sur le siège. Saisissez le dossier et inclinez-le jusqu'à ce qu'il soit bien à plat sur le siège.



RETRAIT DU SIÈGE ÉLÉVATEUR

Lorsque le dossier est complètement rabattu, soulevez simplement le dossier pour le séparer de la base (comme illustré plus haut). Les tenons ne seront plus sous l'emprise des mortaises.

Pour retirer le siège (base) de la baignoire, placez simplement une main sur la barre transversale à l'arrière et soulevez la base. Continuez de soulever la base

jusqu'à ce que les ventouses avant se détachent. Placez votre autre main à l'avant de la base et soulevez-la hors de la baignoire.

Lorsque le siège élévateur est sorti de la baignoire, vous pouvez l'entreposer à votre guise.

SERVICE ET ENTRETIEN

Le siège élévateur **AQUAJoy PREMIER PLUS** demande peu d'entretien et de service. Vérifiez périodiquement le bon état de marche des composantes (au moins une fois par mois). Le moteur du siège élévateur a été testé et est prévu pour plus de 10 000 cycles s'il est utilisé et entretenu adéquatement, dans l'environnement pour lequel il a été conçu. Cependant, pour maximiser la durée de vie utile de votre siège élévateur et pour garantir un fonctionnement optimal et sécuritaire, Aquajoy Bathlifts Ltd. recommande de remplacer votre télécommande, votre moteur et votre chargeur en conformité avec les termes de votre garantie.

VÉRIFICATIONS PÉRIODIQUES

SUIVEZ CES INSTRUCTIONS POUR VÉRIFIER QUE CES COMPOSANTES SONT EN BON ÉTAT

TÉLÉCOMMANDE À PILES

Fixez votre télécommande à pile au siège élévateur, appuyez sur le bouton Haut et le siège devrait se soulever. Appuyez sur le bouton Bas et il devrait descendre. Lorsque vous appuyez sur un de ces deux boutons, si le témoin rouge clignote, vous devez recharger votre télécommande à pile immédiatement. Le témoin lumineux passe à la couleur ambre pendant la recharge. Si le témoin ne s'allume pas, essayez avec un autre chargeur du même type (si vous en possédez un). Si le problème persiste, communiquez avec votre revendeur.

CHARGEUR

Reliez le chargeur à la télécommande à pile. Si le témoin rouge du chargeur et le témoin ambre de la télécommande s'illuminent, laissez le chargeur en place. Si le témoin de la télécommande ne s'illumine pas, essayez un autre chargeur (si vous en possédez un). Si le témoin de la télécommande passe à la couleur ambre, communiquez avec votre fournisseur au sujet du chargeur défectueux. Si le témoin du chargeur demeure éteint, communiquez avec votre fournisseur.

MOTEUR

Fixez la télécommande au siège élévateur et appuyez sur les boutons Haut et Bas pour vérifier la course du siège dans les deux directions. Si le siège ne peut monter ou descendre, essayez avec une télécommande différente (si vous en possédez une). Si le problème persiste, communiquez avec votre fournisseur concernant le moteur défectueux. Le témoin ambre ne s'illumine que pendant la recharge. Le témoin clignote au rouge pour indiquer que votre télécommande doit

être rechargée, seulement lorsque la télécommande est branchée au siège élévateur et que celui-ci est en mouvement.

VENTOUSES

Assurez-vous que les ventouses du siège élévateur sont solidement fixées au fond de la baignoire. Si le fond de la baignoire est texturé, vous pourriez devoir acquérir une ventouse centrale supplémentaire pour garantir le maintien du siège dans la baignoire. Veuillez vérifier l'emprise des ventouses avant chaque utilisation et nettoyez les résidus qui pourraient y adhérer.

FONCTIONNEMENT DU SIÈGE ÉLÉVATEUR POUR BAIGNOIRE

Fixez la télécommande à pile au siège élévateur. Appuyez sur le bouton Bas pour vérifier le déplacement du siège vers le fond de la baignoire, en portant une attention particulière au mécanisme en ciseau sous le siège. Retirez tout ce qui pourrait obstruer le mouvement du siège et de ses composantes. Si des problèmes surviennent, communiquez avec votre revendeur pour obtenir des instructions supplémentaires. ASSUREZ-VOUS DE NETTOYER LE SIÈGE ÉLÉVATEUR PÉRIODIQUEMENT POUR GARANTIR SON BON FONCTIONNEMENT (au moins une fois par semaine). Le moteur du siège élévateur a été testé et est prévu pour plus de 10 000 cycles s'il est utilisé et entretenu adéquatement, dans l'environnement pour lequel il a été conçu. Cependant, pour maximiser la durée de vie utile de votre siège élévateur et pour garantir un fonctionnement optimal et sécuritaire, Aquajoy Bathlifts Ltd. recommande de remplacer votre télécommande, votre moteur et votre chargeur en conformité avec les termes de votre garantie.

NETTOYAGE – SIÈGE ÉLÉVATEUR ET HOUSSE

Pour nettoyer le siège élévateur, utilisez simplement un produit nettoyant domestique et un chiffon humide. Le siège élévateur AquaJoy Premier Plus peut être utilisé avec ou sans housses. Les housses standard peuvent facilement être retirées et lavées à la machine à une température maximale de 60 °C (140 °F). Nous vous recommandons de laver les housses après deux ou trois utilisations, si possible, afin d'éviter que les saletés s'accumulent. La housse rembourrée au gel offerte en option peut facilement être retirée et nettoyée à l'aide d'eau savonneuse.

J'AI UN PROBLÈME AVEC LE SIÈGE ÉLÉVATEUR POUR BAIGNOIRE

1. EST-CE QUE VOTRE TÉLÉCOMMANDE EST COMPLÈTEMENT CHARGÉE ? EST-QUE LE TÉMOIN ROUGE SUR VOTRE TÉLÉCOMMANDE S'ALLUME LORSQUE VOUS APPUYEZ SUR LE BOUTON HAUT / BAS ?

VEUILLEZ VÉRIFIER VOTRE TÉLÉCOMMANDE – TÉMOIN AMBRE

Branchez votre télécommande au chargeur, puis branchez le chargeur dans une prise murale. Si le témoin de la télécommande passe à la couleur ambre, laissez le chargeur en place. NOTE : Le témoin demeurera ambre pendant la recharge et il ne deviendra pas rouge. Si le témoin ne s'illumine pas, essayez un autre chargeur,

si vous en possédez un. Si le problème persiste et que le témoin ne s'illumine toujours pas, communiquez avec votre fournisseur.

2. COMMENT RECHARGER LA TÉLÉCOMMANDE ?

Détachez la télécommande du siège, le cas échéant. La télécommande est reliée au siège par l'entremise de connecteurs rouge et jaune au bout de leurs câbles respectifs. Séparez-les pour libérer la télécommande. Puis, branchez la télécommande AquaJoy Premier Plus au chargeur noir AquaJoy Premier Plus fourni avec l'ensemble de la même manière qu'elle était branchée au siège. Puis branchez la fiche à trois broches du chargeur dans une prise murale. Vous devriez voir un témoin rouge sur le chargeur et un témoin ambre sur la télécommande.

LORSQUE VOUS RECEVEZ VOTRE SIÈGE ÉLÉVATEUR ET SANS ÉGARD À LA COULEUR DU TÉMOIN LUMINEUX SUR LA TÉLÉCOMMANDE À PILE, VEUILLEZ RECHARGER LA TÉLÉCOMMANDE PENDANT DOUZE HEURES. LE TÉMOIN DE LA TÉLÉCOMMANDE PASSERA À LA COULEUR AMBRE PENDANT LA RECHARGE. CECI FERA EN SORTE QUE LA TÉLÉCOMMANDE SERA EN PARFAIT ÉTAT POUR LA PREMIÈRE UTILISATION. LE TÉMOIN ROUGE DU CHARGEUR DEVRAIT S'ILLUMINER PENDANT LA RECHARGE. SUITE À CETTE RECHARGE INITIALE DE DOUZE HEURES, NOUS VOUS RECOMMANDONS DE RECHARGER VOTRE TÉLÉCOMMANDE À PILE CONTINUELLEMENT APRÈS CHAQUE UTILISATION. S'IL S'ÉCOULE PLUS D'UNE SEMAINE ENTRE LES UTILISATIONS, NOUS VOUS RECOMMANDONS DE RECHARGER LA TÉLÉCOMMANDE AVANT LA PROCHAINE UTILISATION, OU AU MOINS 12 HEURES PAR SEMAINE. SI LE TÉMOIN LUMINEUX ROUGE DE LA TÉLÉCOMMANDE CLIGNOTE, LA CHARGE RÉSIDUELLE EST INSUFFISANTE POUR UTILISER LE SIÈGE ÉLÉVATEUR. VEUILLEZ LA RECHARGER IMMÉDIATEMENT. VEUILLEZ CHARGER VOTRE TÉLÉCOMMANDE SUR UNE SURFACE SOLIDE ET PLATE À LA TEMPÉRATURE NORMALE DE LA PIÈCE ET NE LA COUVREZ PAS.

3. PUIS-JE ET COMMENT NETTOYER LA HOUSSE?

Le siège élévateur **AQUAJoy PREMIER PLUS** peut être utilisé avec ou sans housses. Les housses standard peuvent facilement être retirées et lavées à la machine à une température maximale de 60 °C (140 °F). Ne mettez pas les housses au sèche-linge, suspendez-les pour les faire sécher. Nous vous recommandons de laver les housses après deux ou trois utilisations, si possible, afin d'éviter que les saletés s'accumulent. La housse rembourrée au gel offerte en option peut facilement être retirée et nettoyée à l'aide d'eau savonneuse.

4. LES DEUX VENTOUSES AVANT / ARRIÈRE NE COLLENT PAS BIEN AU FOND DE LA BAIGNOIRE

Le fond de certaines baignoires est texturé. Ces textures couvrent le fond et une partie des côtés de la baignoire. Si les deux ventouses avant n'adhèrent pas bien au fond de la baignoire, communiquez avec votre fournisseur pour vous procurer des ventouses centrales supplémentaires. Avec deux ventouses centrales et les ventouses arrière, le siège devrait se stabiliser. Vérifiez l'adhérence des ventouses avant chaque utilisation du siège élévateur et nettoyez-les après chaque usage.

5. PUIS-JE UTILISER UN ÉMOLLIENT, DES CRÈMES OU DES HUILES DE BAIN AVEC MON SIÈGE ÉLÉVATEUR ?

Oui, mais assurez-vous de bien nettoyer / rincer toute pellicule résiduelle sur la base du siège et sur les ventouses. Vérifier l'adhérence des ventouses avant chaque utilisation du siège élévateur et nettoyez-les après chaque usage. Nous vous recommandons aussi de nettoyer les housses plus fréquemment, après chaque utilisation si possible.

6. VAIS-JE ENDOMMAGER MA TÉLÉCOMMANDE SI JE LA LAISSE BRANCHÉE AU CHARGEUR ?

Non. Chargez votre télécommande à pile pendant douze heures avant la première utilisation. Puis, rechargez la télécommande après chaque utilisation. Vous ne pouvez pas surcharger la pile. Une pile complètement chargée permet environ quinze cycles de levage complets. Veuillez charger votre télécommande sur une surface solide et plate à la température normale de la pièce et ne la couvrez pas.

7. COMMENT NETTOYER LA TÉLÉCOMMANDE ?

Pour nettoyer le protecteur de mousse de la télécommande à pile, retirez les deux vis à l'arrière de la télécommande et retirez le protecteur de mousse de l'unité de commande. Nettoyez comme nécessaire et remplacez simplement la télécommande dans le protecteur de mousse et reposez les vis.

8. DOIS-JE UTILISER LES DÉFLECTEURS DE VOLETS LATÉRAUX ? (Bandes de plastique grises/blanches fournies avec votre siège élévateur)

Oui, si votre baignoire est équipée de poignées, veuillez fixer les déflecteurs sur les deux poignées de la baignoire. Si vous négligez de le faire, le fonctionnement du siège peut être obstrué et ceci peut affecter la garantie. Si les volets se coincent dans les poignées du bain, arrêtez immédiatement et appuyez sur le bouton Bas de la télécommande. Assurez-vous que les volets sont libres avant de remonter le siège.

DONNÉES TECHNIQUES

Longueur du siège : 580 mm (22,8 po)

Largeur du siège avec les volets déployés : 686 mm (27 po)

Largeur du siège sans les volets : 390 mm (15,3 po)

Hauteur du siège à la position la plus basse : 90 mm (3,5 po)

Hauteur du siège à la position la plus haute : 465 mm (18,3 po)

Profondeur du siège du dossier à l'avant du siège : 490 mm (19,3 po)

Hauteur du dossier : 604 mm (23,8 po)

Largeur du dossier : 340 mm (13,4 po)

Charge maximale : 170 kg (26,7 stone, 175 lb) (375 lb)

Poids total sans la pile : 13,64 kg (30 lb)

Poids du siège : 7,70 kg (16,94 lb)

Poids des volets : 0,94 kg (2,07 lb)

Poids du dossier : 5 kg (11 lb)

Poids de la télécommande à pile : 670 g
Durée d'un cycle (charge de 80 kg): Haut env. 50 sec. Bas env. 35 sec
Operating voltage: 13,2 VCC
Consommation maximale : 5,8 A
Voltage nominal : 13,2 VCC
Niveau de bruit du moteur sans charge : 50 dB (selon DIN 3746)
Équipement médical de type B
Classe de protection: IP 66
Cycle de service : Max. 5%, Max. 3min / heure

Pile : 13,2 V 1300 mAh (Ni-MH)
Chargeur de pile :
Entrée : 100-240 ~ 60/50 Hz 138 mA
Sortie : 20 VCC 250 mA 5,0 VA
Poids : UK 84 g/ EU 78 g/ USA 78 g
Durée de la recharge pour une pile à plat : env. 12 h

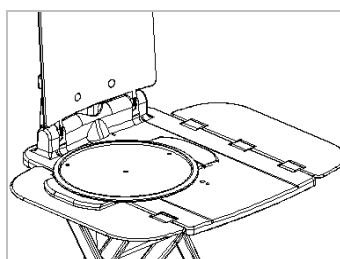
ACCESSOIRES

INSTALLATION ET RETRAIT DES HOUSSES

Si vous utilisez des housses avec votre siège élévateur, installez-les avant la séance de bain. Pour installer la housse du siège, placez la housse sur le siège et glissez les volets dans la housse, comme vous le feriez pour un drap-contour. Rabaissez les volets pour bien ajuster la housse. **ASSUREZ-VOUS QUE LA HOUSSE EST BIEN AJUSTÉE AVANT DE PRENDRE LE BAIN.**

Pour installer la housse du dossier, étirez les quatre coins de plastique (au verso de la housse) au-delà des quatre coins du dossier.

DIQUE DE TRANSFERT (PIVOT ET GLISSEMENT)



Le disque de transfert AquaJoy Premier Plus facilite le transfert sécuritaire pour accéder ou quitter le siège élévateur. Il est idéal pour ceux qui ont de la difficulté à s'installer sur le siège ou à le quitter. Il permet de glisser vers la position centrale du siège et de pivoter sur place. Placez simplement le disque et glissez à la position désirée sur le siège.

SAC DE TRANSPORT

Le sac de transport est idéal pour le transport et l'entreposage de votre siège élévateur. Si vous partez en vacances, pourquoi ne pas apporter votre siège avec vous !

APPUIE-TÊTE

L'appuie-tête AquaJoy Premier Plus fournit un support et un confort accru pendant le bain.

Pour installer l'appuie-tête, insérez simplement les tiges dans les orifices prévus au haut du dossier. Faites le mouvement inverse pour le retirer.

SIÈGE ÉLÉVATEUR AQUAJoy JUNIOR PLUS (POUR ENFANTS ET JEUNES ADULTES)

INSTALLATION DU POMMEAU

Insérez la tige du pommeau dans les trous d'ajustement sur la base du siège. Le pommeau sera ainsi fixé. Si un trou doit être pratiqué dans la housse pour recevoir un pommeau ou un coussin triangulaire, AquaJoy se chargera de cette opération avant la livraison.

RETRAIT DU POMMEAU

Tirez simplement le pommeau vers le haut.

INSTALLATION DU COUSSIN TRIANGULAIRE

Insérez les tiges du coussin triangulaire dans les trous d'ajustement sur la base du siège et poussez vers le bas. Le coussin triangulaire sera ainsi fixé. Si un trou doit être pratiqué dans la housse pour recevoir un pommeau ou un coussin triangulaire, AquaJoy se chargera de cette opération avant la livraison.

INSTALLATION DES VOLETS SUR LE DOSSIER

Placez les guides des volets dans les réceptacles prévus, sur les côtés du dossier.

RETRAIT DES VOLETS DU DOSSIER

Tirez les volets vers le haut jusqu'à ce que les fixations se désengagent.

INSTALLATION DES CEINTURES DE THORAX ET DE BASSIN

Le support de fixation de la ceinture de thorax doit être fixée derrière le dossier du siège. On peut l'ajuster en le faisant glisser de haut en bas selon la taille de l'utilisateur. Serrez le bouton, comme sur l'illustration, pour fixer le support. Pour un accès plus rapide, installez la partie courte de la ceinture du côté où l'utilisateur s'installe sur le siège. Vous pouvez ajuster la longueur de la ceinture sur le côté en tirant la ceinture dans la boucle. Insérez simplement l'attache dans la boucle pour utiliser la ceinture.

La ceinture de bassin doit être attachée sous l'arrière de la base du siège. Pour un accès plus rapide, installez la partie courte de la ceinture du côté où l'utilisateur s'installe sur le siège. Serrez le bouton, comme sur l'illustration, pour fixer le support. Vous pouvez ajuster la longueur de la ceinture sur le côté en tirant la ceinture dans la boucle. Insérez simplement l'attache dans la boucle pour utiliser la ceinture.

GARANTIE LIMITEE

Drive garantit ce produit pour une durée de trois ans en ce qui concerne le cadre, le moteur et le chargeur. La télécommande à pile et les accessoires sont garantis un an à partir de la date d'achat.

Cette garantie couvre les défauts de matériel et de fabrication. La garantie ne couvre pas les problèmes causés par l'usure normale, les dommages volontaires, la négligence, une utilisation inappropriée ou une modification non autorisée ou une réparation effectuée par du personnel non qualifié. La décoloration des housses est considérée comme une usure normale et n'est pas couverte par la garantie.

Pour toute autre question relative à votre appareil Drive ou cette garantie, voyez avec un revendeur agréé de notre compagnie.