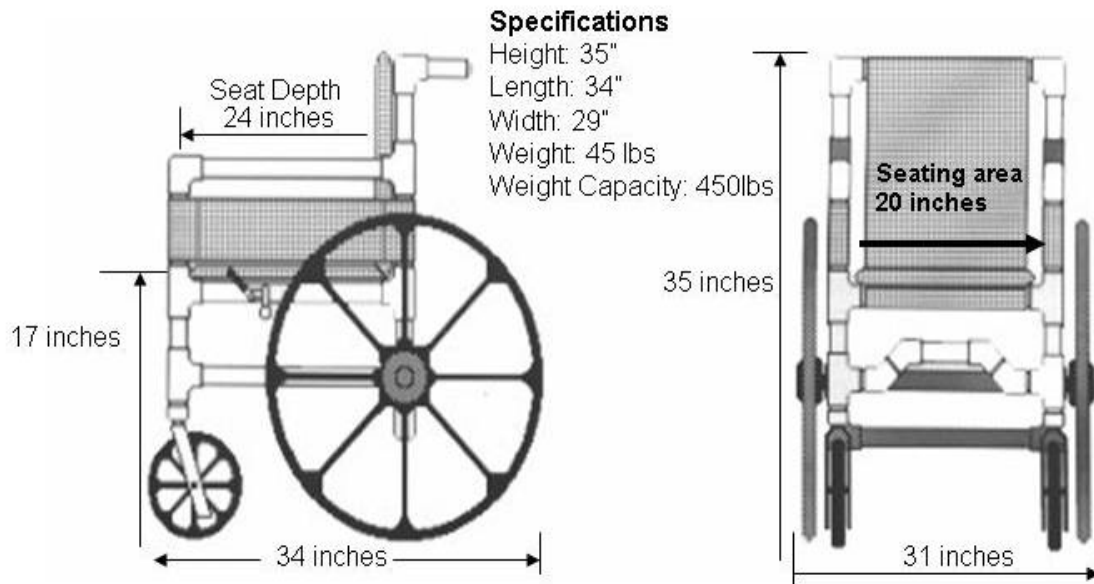




## AquaTrek Aquatic Wheel Chair (AQ-450-WC)



- **Durable and Lightweight**
- **7 & 24 inch Mag Wheels**
- **Totally Submersible**
- **Safe & Comfortable**
- **Stainless Steel Fasteners**
- **Stainless Steel Axle**
- **Full One-Year Warranty**
- **Black Graphite Hand Rings**
- **Open Swing Arm**
- **Retractable Foot Rest**
- **Additional Options Available**
  - **Seat Belt**
  - **Shoulder Harness**
  - **Anti-Tip wheels**

All **AQUATREK** aquatic wheelchair models are designed for use in and around water. Its unique design allows full usage in swimming pools, spas, splash pads, leisure rivers and showers. Its construction from PVC plastic and stainless steel fasteners makes it both durable and non-corrosive.