

Freedom ADA Roll In Shower 63" x 34"



Model APF6333BF75
APFQ6333BF75

63" x 34" x 78 3/4"
60" x 30" Inside Dimension

3/4" barrier free threshold
with 1/2" change of level,
pre-leveled and reinforced
shower base for easy
installation

One piece for new
construction

3 molded soap ledges

Durable, luxurious and easy
to clean applied acrylic with
tile pattern

Fully reinforced backing in
walls offers strength and easy
installation of accessories

Accessories available:
Grab bars, folding shower
seat, collapsible water
retainer, weighted shower
curtain and rod, slide bar with
handheld shower, pressure
balance valve, caulkless drain

Shown with optional accessories
30 Limited warranty

Handed by seat, left seat shown

Shower is ADA compliant when installed with
available ADAAG accessories.

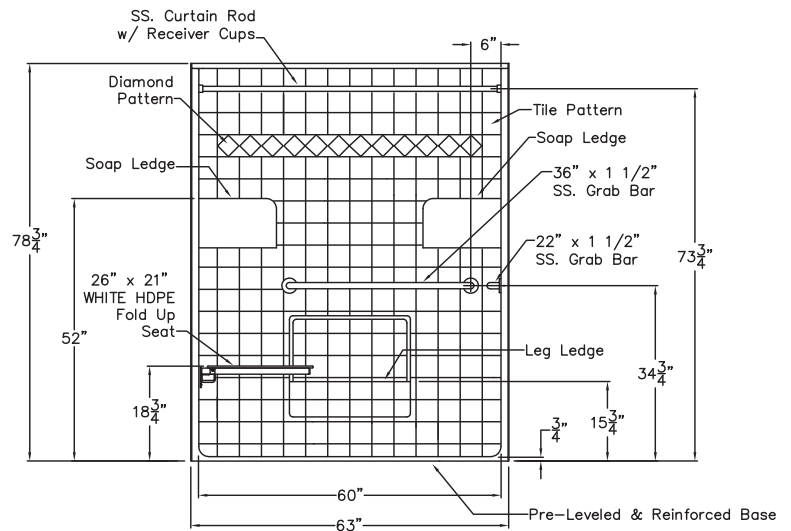


MODEL: APF6333BF75 Accessible Shower

Submittal Data

Product Features

- 63" x 34" x 78.75"
- 3/4" barrier free threshold
- Self-supporting and pre-leveled shower base eliminates mud setting
- Fully reinforced backing on walls
- Tile pattern easy to clean applied acrylic
- 3 molded soap ledges
- Textured slip-resistant floor
- Center drain location
- Lifetime manufacturer limited warranty

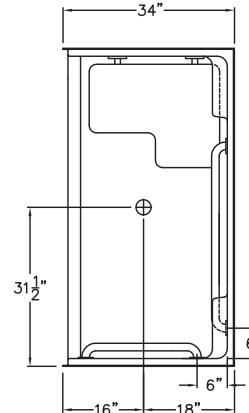


Code Compliance

- IPC International Plumbing Code
- UPC Uniform Plumbing Code
- ANSI Z124.2 Standards for Plastic Showers
- ADA Accessibility Guidelines for Buildings and Facilities
- ANSI A117.1 Accessible and Useable Buildings and Facilities
- CSA
- MAS

Optional Accessories

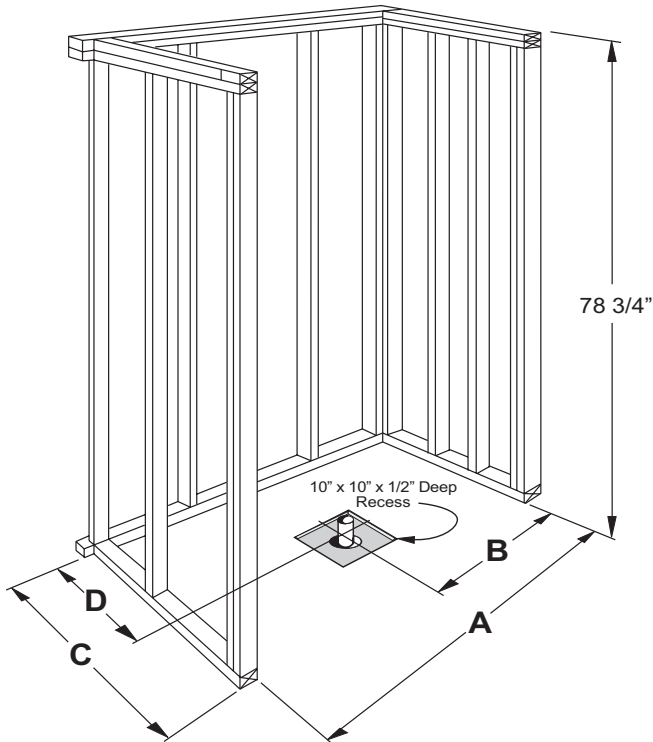
- Collapsible Water Retainer
- Folding Shower Seat
- Caulkless Drain
- Grab Bars
- Shower Rod and Curtain
- Pressure Balance Valve with hand-held Shower and Slide Bar



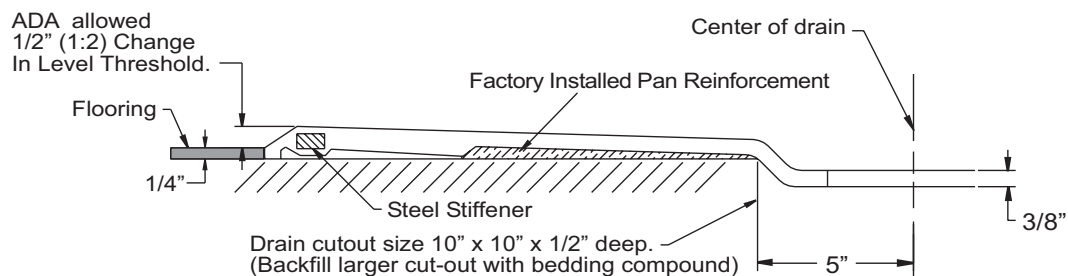
Handed by seat, left seat shown
With optional ADA accessories

FREEDOM SHOWERS

MODEL: APF6333BF75 Freedom Accessible Shower Submittal Data - Installation



	A	B	C	D
APF6333	63 1/4"	31 5/8"	34"	18"



Detail Of Threshold