

Freedom ADA Transfer Shower 39" x 38"



Model

APFQ3682BF625

39" x 37.5" x 82" OD

36" x 36" ID

5/8" threshold with pre-levleled and reinforced shower base for easy installation

Dual drywall receiver flange for easy installation

Durable, luxurious and easy to clean applied acrylic with smooth walls, and 2 molded soap ledges

Fully reinforced walls offers strength and easy installation of accessories

ADA accessories available: Grab bars, folding shower seat, collapsible water retainer, weighted shower curtain and rod, slide bar with handheld shower, pressure balance valve, caulkless drain

Shown with optional accessories Handed by valve, left valve shown
Lifetime limited warranty

Shower is ADA compliant when installed with available ADAAG accessories.

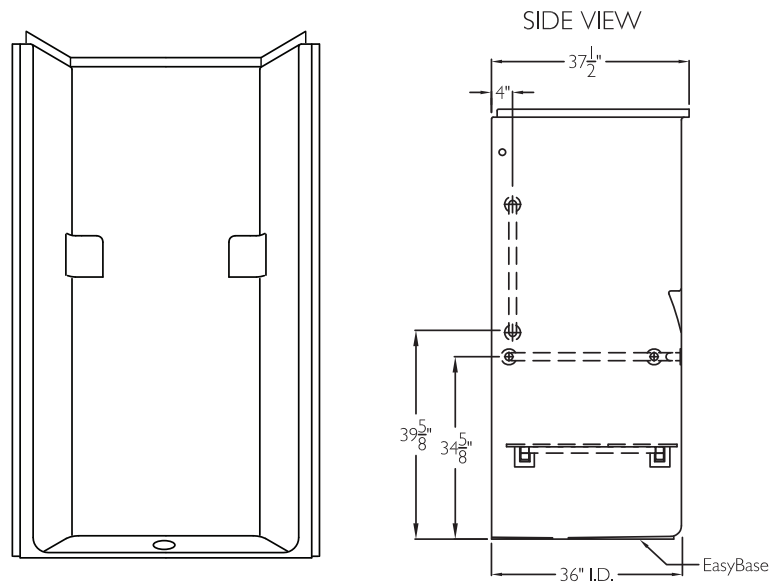


MODEL: APFQ3682BF625 ADA Transfer Shower

Submittal Data

Product Features

- 39" x 37.5" x 82"
- 5/8" barrier free threshold
- Dual drywall receiver flange
- Self-supporting and pre-leveled shower base eliminates mud setting
- Fully reinforced backing on walls
- Easy to clean applied acrylic
- Flat smooth walls
- Textured slip-resistant floor
- Center drain location
- Lifetime manufacturer limited warranty

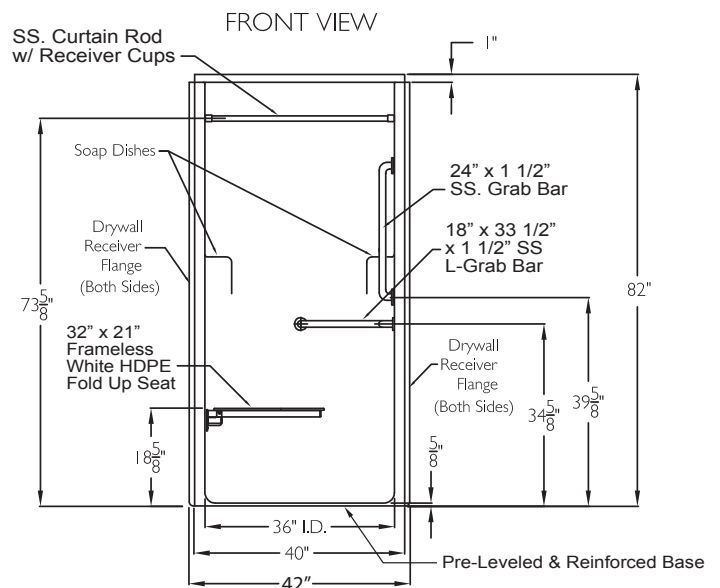


Code Compliance

- IPC International Plumbing Code
- UPC Uniform Plumbing Code
- ANSI Z124.2 Standards for Plastic Showers
- ADA Accessibility Guidelines for Buildings and Facilities
- ANSI A117.1 Accessible and Usable Buildings and Facilities
- CSA approved

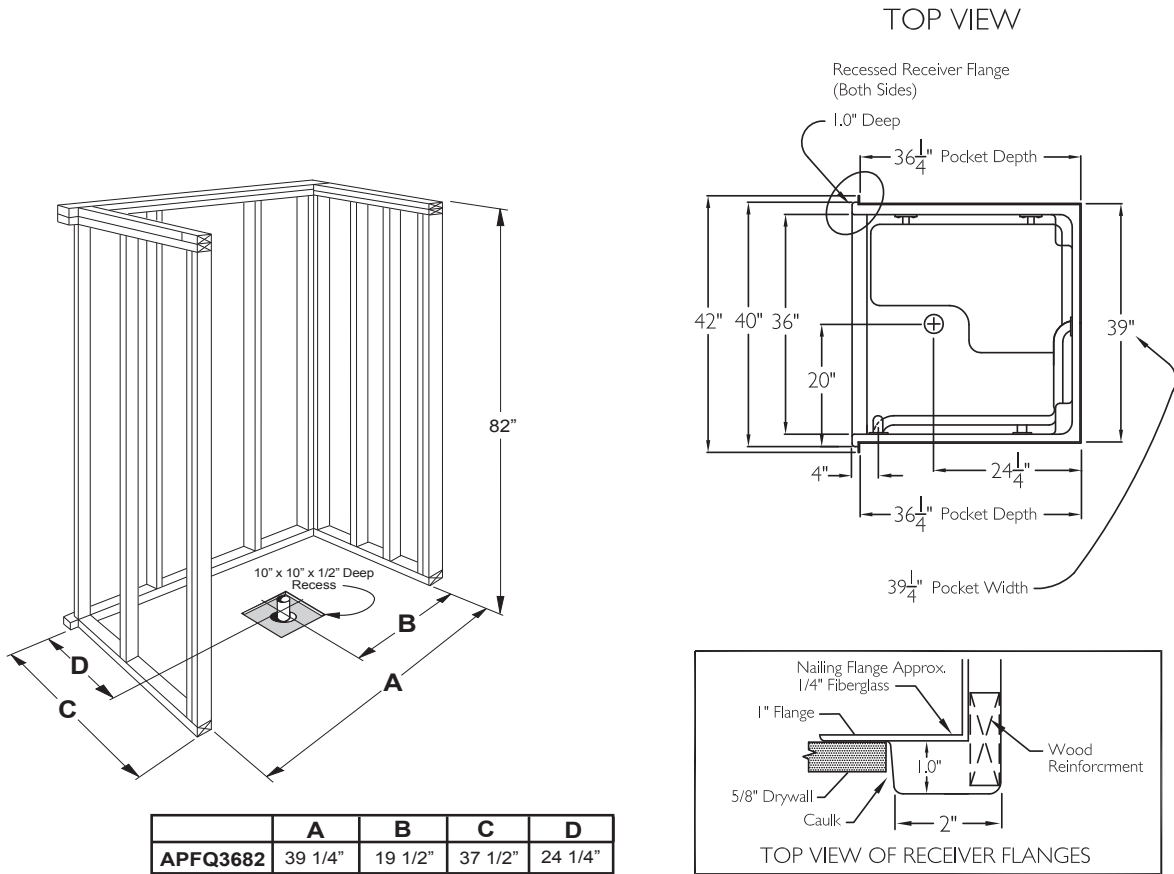
Optional Accessories

- Collapsible Water Retainer
- Folding Shower Seat
- Caulkless Drain
- Grab Bars
- Shower Rod and Curtain
- Pressure Balance Valve with hand-held Shower and Slide Bar

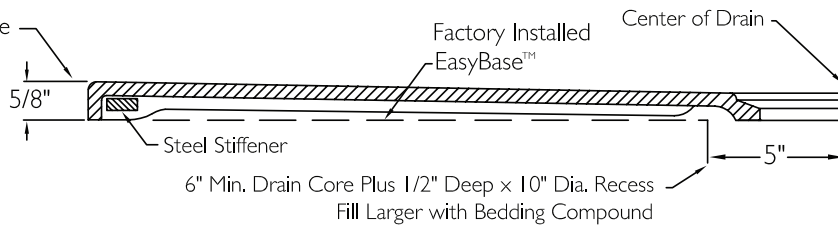


FREEDOM SHOWERS

MODEL: APFQ3682BF625 ADA Transfer Shower Submittal Data - Installation



Coordinate Finished Floor Height For Code. Finished Floor May Be No More Than 1/4" Below The Top Of Compartment Threshold.



Detail Of Threshold