



Freedom Accessible Shower 60" x 37"

Model APF6036BF5P

60" x 37" x 78"

5-piece for remodeling

7/8" barrier free threshold with pre-leveled and reinforced shower base for easy installation

Molded soap ledge

Durable, luxurious and easy to clean applied acrylic with 8" tile pattern

Full wood backing in walls offers strength and easy installation of accessories

Accessories available:
Grab bars, folding shower seat, collapsible water retainer, weighted shower curtain and rod, slide bar with handheld shower, pressure balance valve, caulkless drain



- Shower shown with available accessories
- Other wall configurations available
- Shown left drain
- Made in America
- Shower stall comes standard in white
- Lifetime Limited Warranty

FREEDOM SHOWERS

MODEL: APF6036BF5P Freedom Accessible Shower

Submittal Data

Product Features

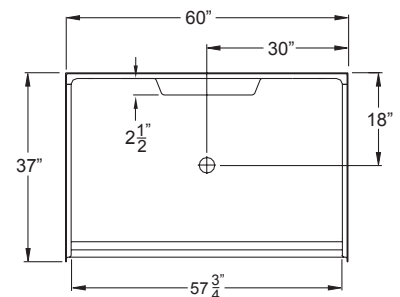
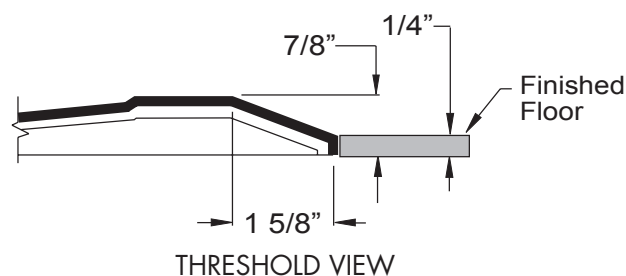
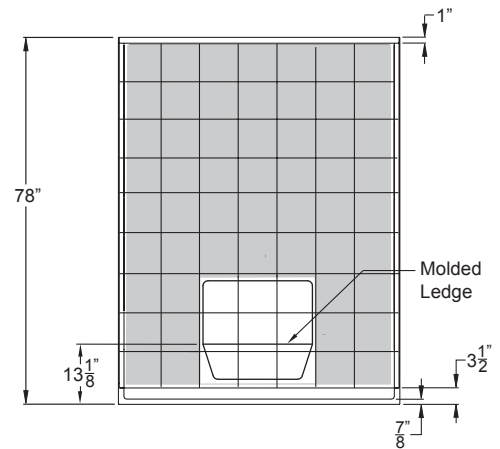
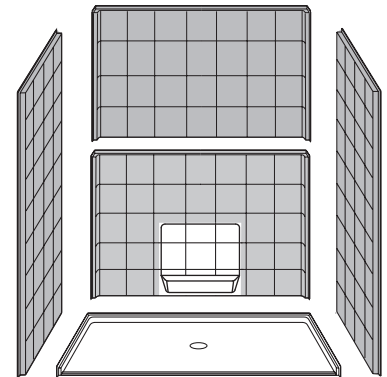
- 60" x 37" x 78"
- 5-piece for remodeling
- 7/8" barrier free threshold
- Self-supporting and pre-leveled shower base eliminates mud setting
- Full fiberglass encapsulated wood backing on walls
- tile pattern easy to clean applied acrylic
- 3.5" bottom soap ledge depth
- Textured slip-resistant floor
- Center drain location

Code Compliance

- IPC International Plumbing Code
- UPC Uniform Plumbing Code
- ANSI Z124.2 Standards for Plastic Showers
- CSA

Optional Accessories (Installed at job site)

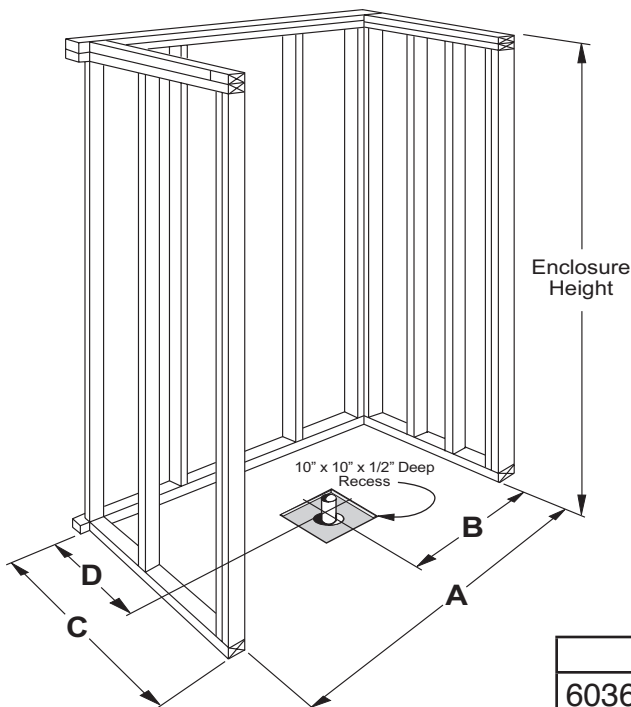
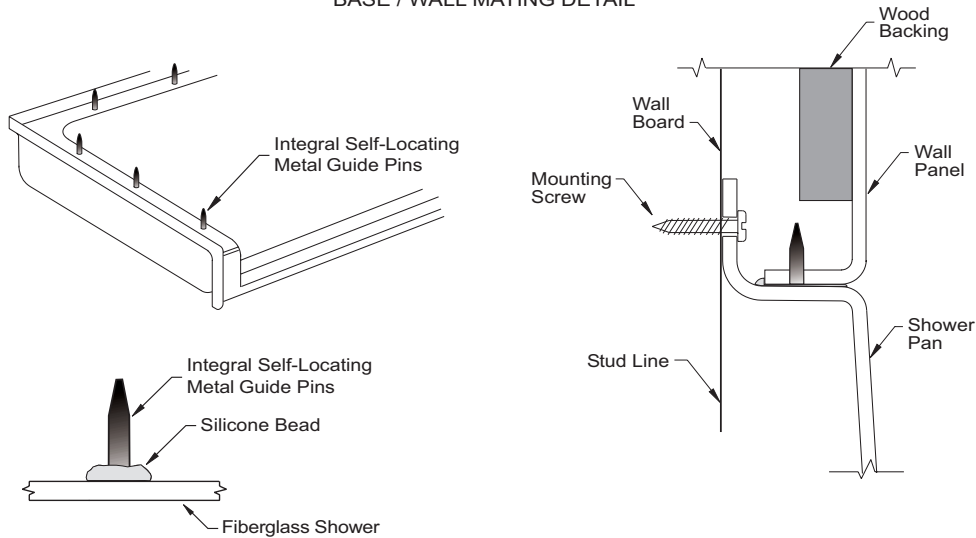
- Collapsible Water Retainer
- Folding Shower Seat
- Caulkless Drain
- Grab Bars
- Shower Rod and Curtain
- Pressure Balance Valve with hand-held Shower and Slide Bar



FREEDOM SHOWERS

MODEL: APF6036BF5P Freedom Accessible Shower Submittal Data - Installation

BASE / WALL MATING DETAIL



	A	B	C	D
6036 5P	60 1/4"	30 1/8"	37 1/4"	18 1/8"