

Freedom Accessible Shower 60" x 33"

Model APF6033SH5PLR

60" x 33 3/8" x 79 1/2"

5-piece for remodeling

4" Easy Step threshold with wood base and leveling leg for easy installation

Molded soap ledge

Durable, luxurious and easy to clean applied acrylic with 8" tile pattern

Fully reinforced backing in walls offers strength and easy installation of accessories

Accessories available:
Grab bars, folding shower seat, weighted shower curtain and rod, slide bar with handheld shower, pressure balance valve, caulkless drain



Shower shown with available accessories
Shower stall comes standard in white
Made in America

Right drain shown
Lifetime Limited Warranty

FREEDOM SHOWERS

MODEL: APF6033SH5PLR Freedom Accessible Shower Submittal Data

Product Features

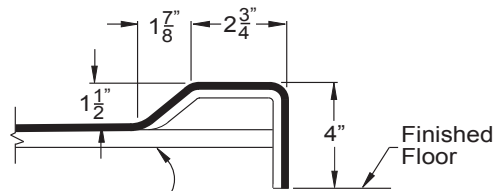
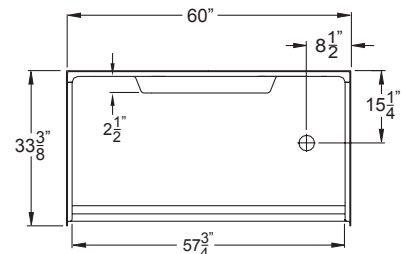
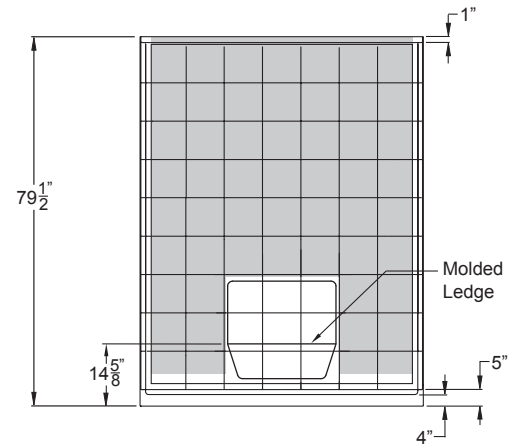
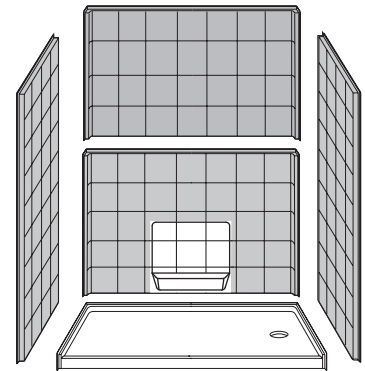
- 60" x 33 3/8" x 79 1/2"
- 5-piece for remodeling
- 4" Easy Step threshold
- Wood base with leveling leg
- Fully reinforced backing on walls
- tile pattern easy to clean applied acrylic
- Molded soap ledge
- Textured slip-resistant floor
- Left or right drain location

Code Compliance

- IPC International Plumbing Code
- UPC Uniform Plumbing Code
- ANSI Z124.2 Standards for Plastic Showers
- CSA Canadian Standards Association

Optional Accessories (Installed at job site)

- Folding Shower Seat
- Caulkless Drain
- Grab Bars
- Shower Rod and Curtain
- Pressure Balance Valve with hand-held Shower and Slide Bar

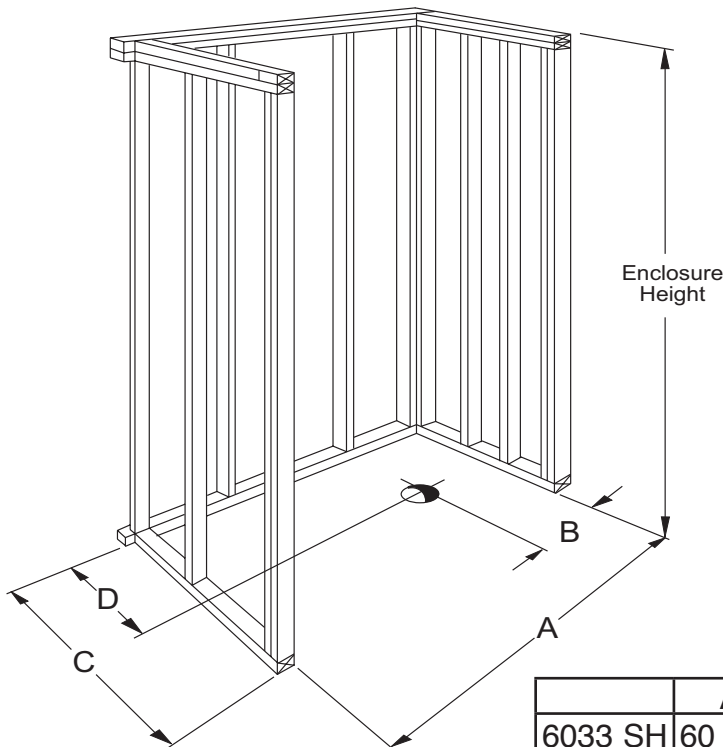
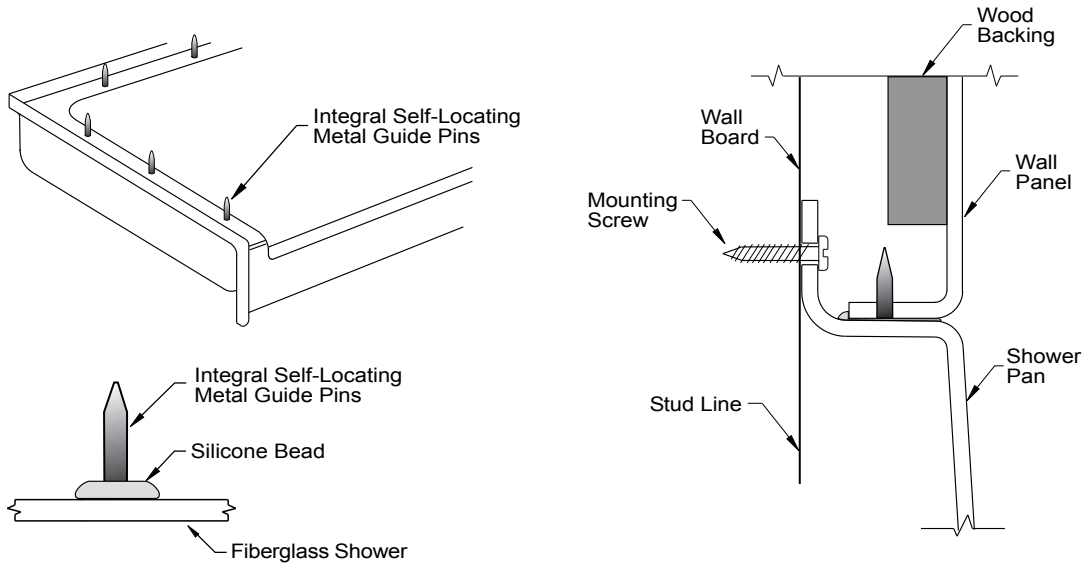


Wood Base With Leveling Leg. THRESHOLD VIEW

Wood Bottom With Leveling Leg will have the base level as it sits on the floor.

FREEDOM SHOWERS

MODEL: APF6033SH5PLR Freedom Accessible Shower Submittal Data - Installation



	A	B	C	D
6033 SH	60 1/4"	8 1/2"	33 3/8"	15 1/4"