

## Freedom Accessible Shower 54" x 37"



Model APF5436BF5P

54" x 36 7/8" x 77 3/4"

5-piece for remodeling

1" barrier free threshold with pre-leveled and reinforced shower base for easy installation

1 molded soap/foot ledge

Durable, luxurious and easy to clean applied acrylic with 8" tile pattern

Fully reinforced backing in walls offers strength and easy installation of accessories

Accessories available:  
Grab bars, folding shower seat, collapsible water retainer, weighted shower curtain and rod, slide bar with handheld shower, pressure balance valve, caulkless drain

Shower shown with available accessories  
Shower stall comes standard in white  
Made in America

Right drain shown  
Lifetime Limited Warranty



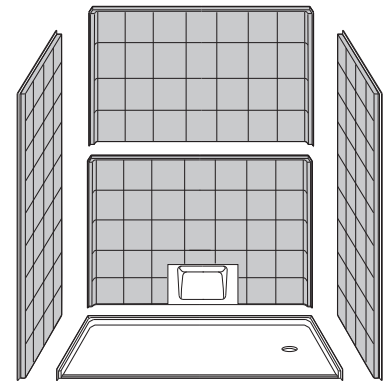
# MODEL: APF5436BF5P

## Freedom Accessible Roll-In Shower

### Submittal Data

#### Product Features

- 54" x 36 7/8" x 77 3/4"
- Interior Dimension: 51 3/4" x 34 1/2"
- 5-piece for remodeling
- 1" Barrier free threshold with pre-leveled and reinforced shower base for easy installation
- 1 Molded soap/foot ledge
- Fully reinforced backing in walls
- Durable, luxurious and easy to clean applied acrylic with 8" tile pattern
- Textured slip-resistant floor
- Left or right drain location

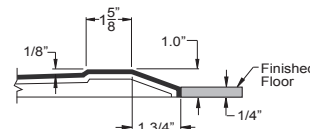
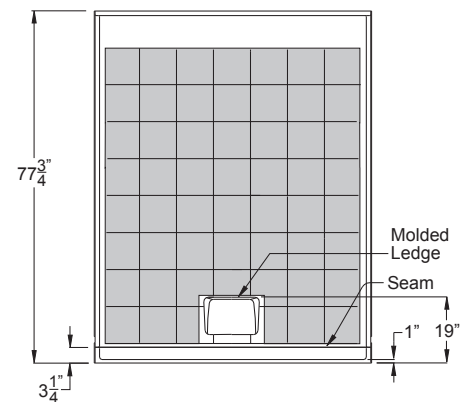


#### Code Compliance

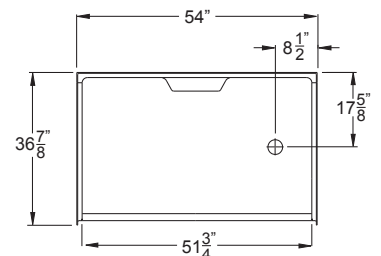
- IPC International Plumbing Code
- UPC Uniform Plumbing Code
- ANSI Z124.2 Standards for Plastic Showers
- NAHB
- HUD
- FHA
- CSA

#### Optional Accessories (Installed at job site)

- Collapsible Water Retainer
- Folding Shower Seat
- Caulkless Drain
- Grab Bars
- Shower Rod and Curtain
- Pressure Balance Valve with hand-held Shower and Slide Bar

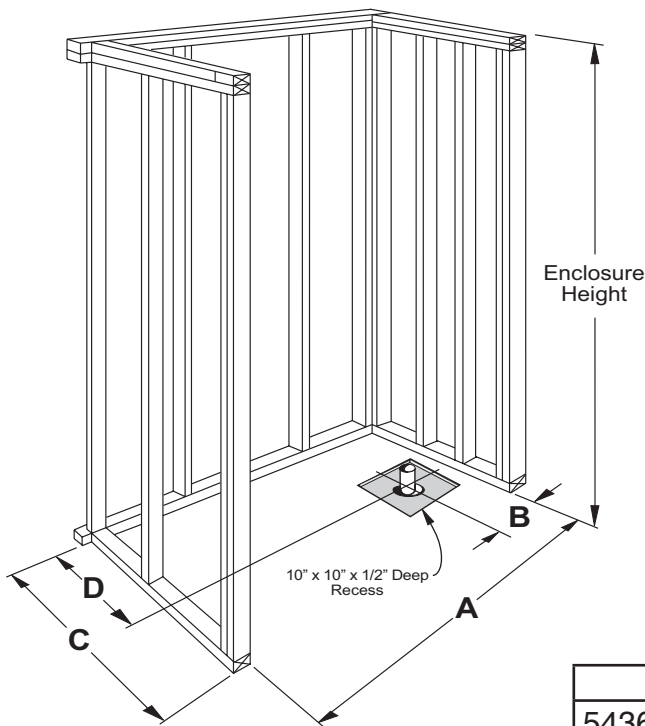
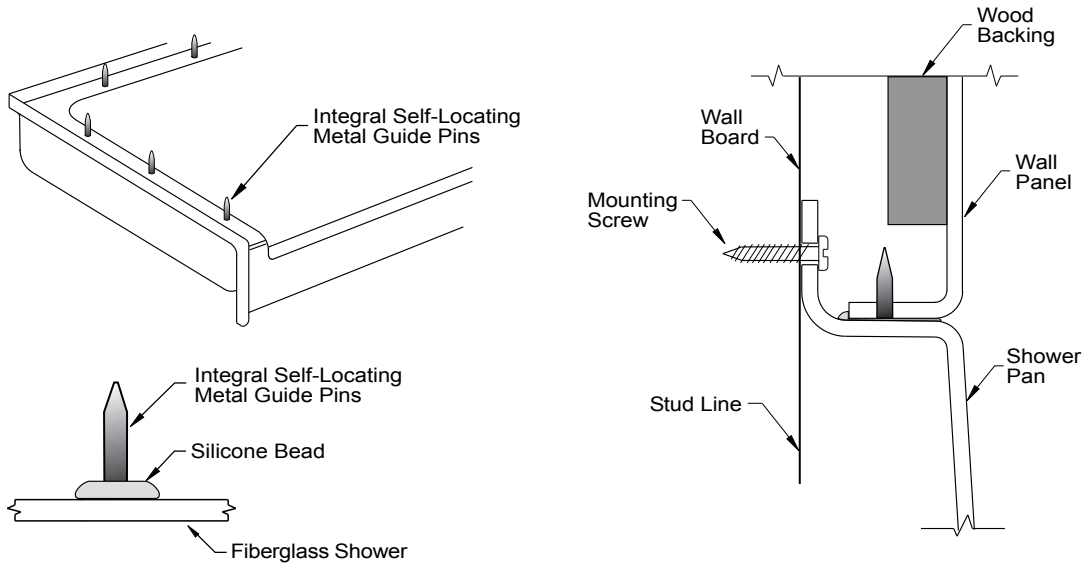


THRESHOLD VIEW



# FREEDOM SHOWERS

## MODEL: APF5436BF5P Freedom Accessible Roll-In Shower Submittal Data - Installation



	A	B	C	D
5436 5P	54 1/4"	8 9/16"	36 7/8"	17 5/8"

Due to the nature of the materials, dimensions may vary +/- 1/2".