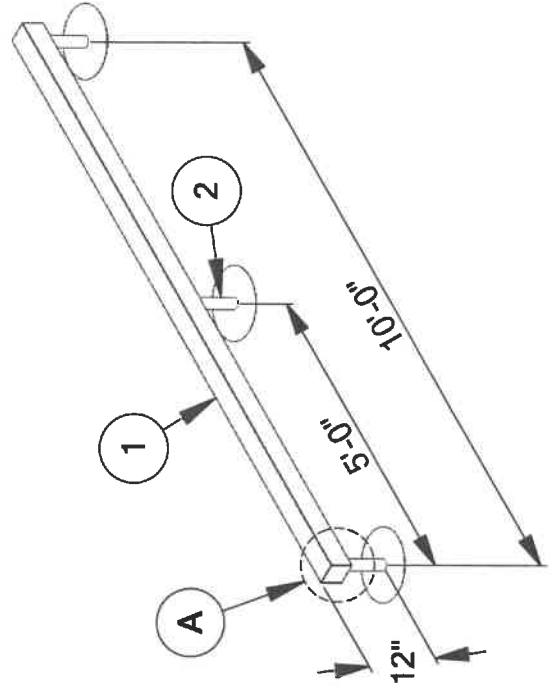
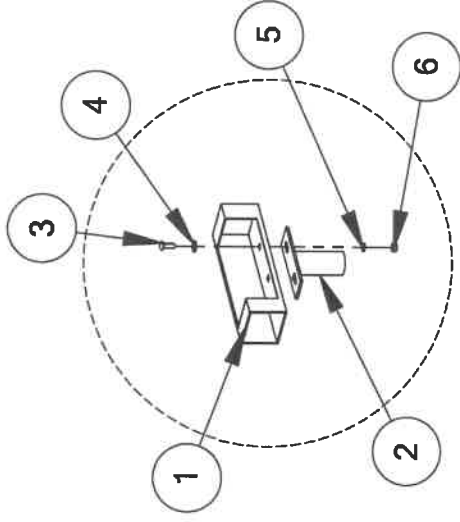
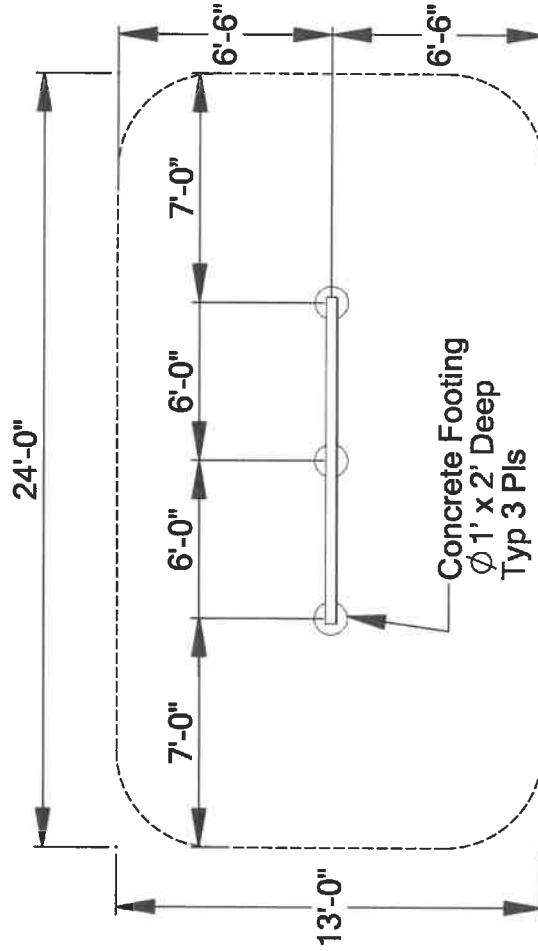


BALANCE BEAM

511-107

ITEM NO.	PART NUMBER	DESCRIPTION	QTY.
1	513-932	Beam 12' x 3" x 3-1/2" W	1
2	603-629	Leg	3
3	126-504	5/16" x 1" Carriage Bolt	6
4	316-501	5/16" Flat Washer	6
5	226-501	5/16" Lock Washer	6
6	216-501	5/16" Hex Nut	6



5 4 3 2 1

511-107 Balance Beam

Page 3 of 3
Rev 04/04/03

GENERAL ASSEMBLY INSTRUCTIONS:

Check all the parts and hardware with the packing list to be sure you have received everything needed to assemble this product. CONTACT YOUR LOCAL DISTRIBUTOR WITH NOTIFICATION OF ANY MISSING OR DAMAGED PARTS. Contact must be made within ten days of receipt of your order.

Only hand-tighten nuts & bolts on initial assembly. Final tightening should be done EVENLY after final assembly when unit has been plumbed & leveled.

After assembly is complete, ANY ENDS OF BOLTS PROTRUDING BEYOND NUTS SHOULD BE CUT OFF AND/OR PEENED OVER TO REMOVE ANY SHARP EDGES. Go over entire unit to file smooth any sharp edges or projections that may have been caused by rough handling in shipping or installation. T-Clamps are designed for both one and two bolt connections. In many situations only one bolt is required. See specific assembly instructions.

On products with platforms install 1 - 2 degrees off level to facilitate water drainage.

GENERAL MAINTENANCE INSTRUCTIONS:

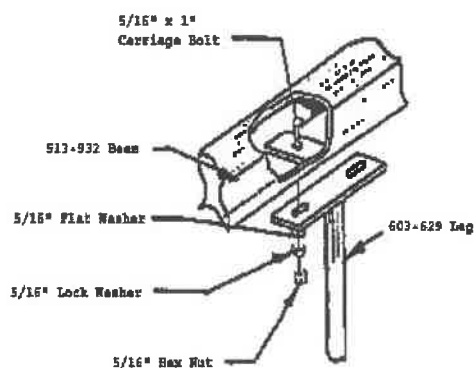
Check MONTHLY for loose bolts, damaged or broken parts. Tighten and/or replace immediately.

SPECIFIC ASSEMBLY INSTRUCTIONS:

NOTE: All threaded ends of bolts protruding beyond nuts must be cut off and/or peened to eliminate sharp edges. No more than two threads should extend beyond face of nut.
All washers, "T" nuts, and other fastener hardware used on round pipe or tubing must be hammered down to conform to the curved underlying surface to eliminate catch points.

STEP #1: Mark & dig footing holes per SKETCH

STEP #2: Assemble Beam on the ground per SKETCH



STEP #3: Stand up and brace in footing holes. Height of beam above resilient surfacing can be lowered from the 12" recommended by extending the depth of footing holes.

STEP #4: Plumb & level. Tighten all nuts & bolts so that lock washers are flat. Pour concrete and crown surface for drainage. Let stand 48 hours before removing braces, installing resilient surfacing and using equipment.

STEP #5: Attach Warning Label and Manufacturer's Identification Label to a clean surface. The labels should be attached in a location where they are clearly visible and legible and away from normal hand and foot placement areas. The labels must be replaced if they become illegible, destroyed or removed. Contact your distributor for replacement labels.