



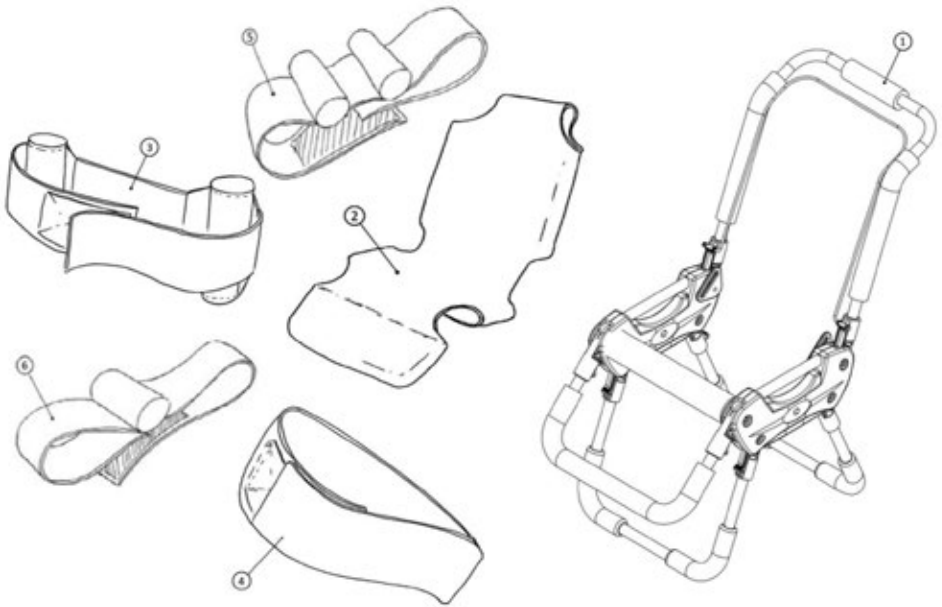
# Advanced Bath Chair

Spare Parts Catalogue



Supporting  
Children

# Leckey Advanced Bath Chair: Spare Parts- Covers

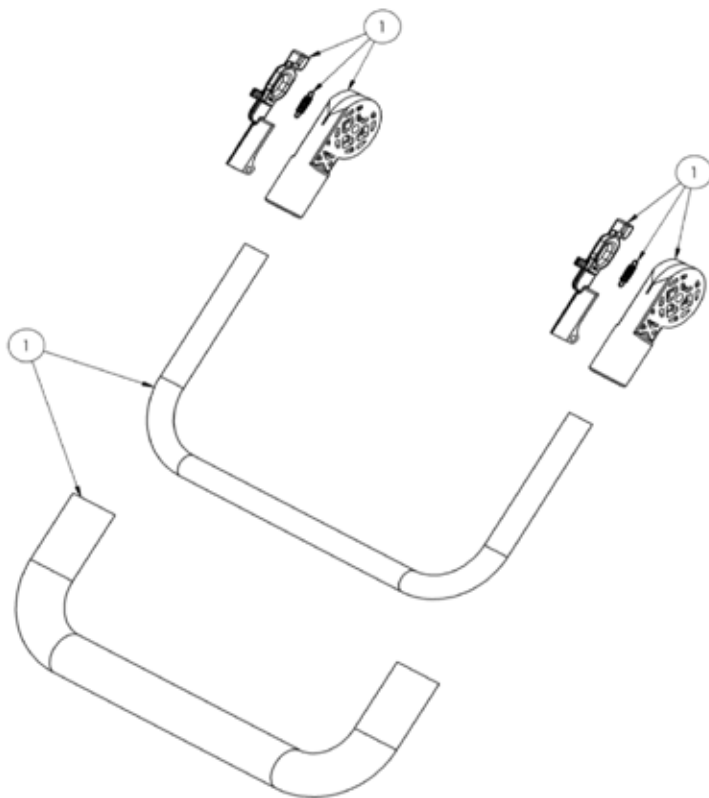


Where XX is in a Sales Code, please replace with RB for Royal Blue, or PB for Pink

Pos.	Leckey Sales Code	Description	Min. Order Qty
1	LAB/1/FR	Advanced Bath Chair Frame Size 1	1
	LAB/2/FR	Advanced Bath Chair Frame Size 2	1
	LAB/3/FR	Advanced Bath Chair Frame Size 3	1
	LAB/4/FR	Advanced Bath Chair Frame Size 4	1
2	LAB/1/D-XX	Cover Size 1	1
	LAB/2/D-XX	Cover Size 2	1
	LAB/3/D-XX	Cover Size 3	1
	LAB/4/D-XX	Cover Size 4	1
3	LAB/1/A-XX	Chest Belt	1
4	LAB/1/E-XX	Hip Belt	1
5	LAB/1/C-XX	Head Support All Sizes	1
6	LAB/1/B-XX	Abduction Belt Size 1 & 2	1
	LAB/2/B-XX	Abduction Belt Size 3 & 4	1

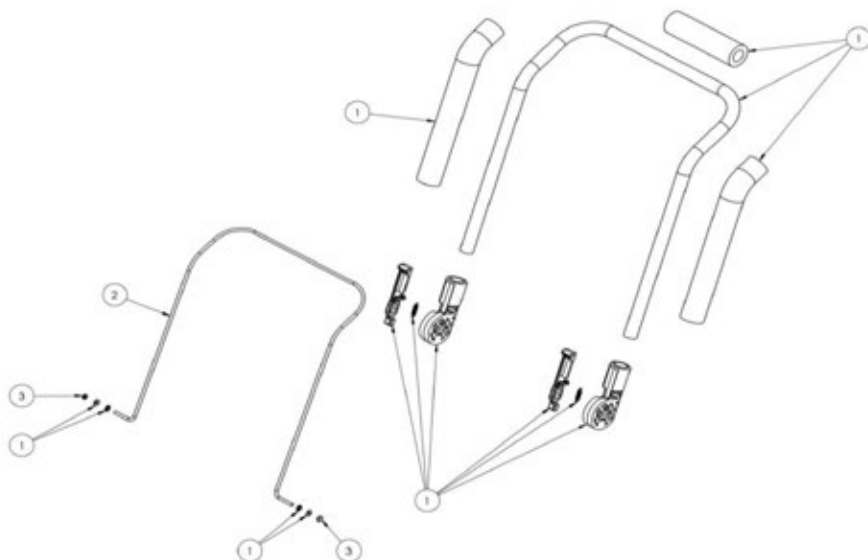
# Leckey Advanced Bath Chair: **Calf Support Assembly**

---



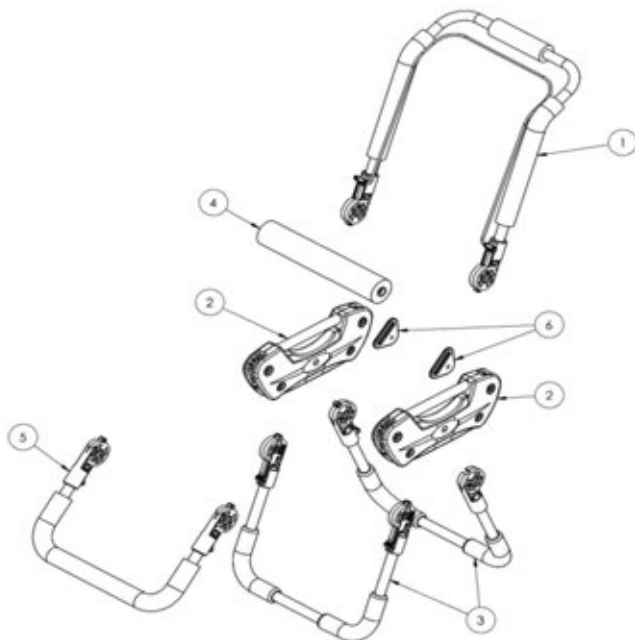
Pos.	Leckey Sales Code	Description	Min. Order Qty
1	RAP-4-1958	Calf Support Assembly Size 1 & 2	1
	RAP-4-3958	Calf Support Assembly Size 3 & 4	1

# Leckey Advanced Bath Chair: **Backrest Assembly**



Pos.	Leckey Sales Code	Description	Min. Order Qty
1	RAP-4-1955	Backrest Assembly Size 1	1
	RAP-4-2955	Backrest Assembly Size 2	1
	RAP-4-3955	Backrest Assembly Size 3	1
	RAP-4-4955	Backrest Assembly Size 4	1
2	RAP-4-1039	Back Angle Adjuster Bar Size 1	1
	RAP-4-2039	Back Angle Adjuster Bar Size 2	1
	RAP-4-3039	Back Angle Adjuster Bar Size 3	1
	RAP-4-4039	Back Angle Adjuster Bar Size 4	1
3	SI24	Poppers for Back Angle Adjuster Bar	50

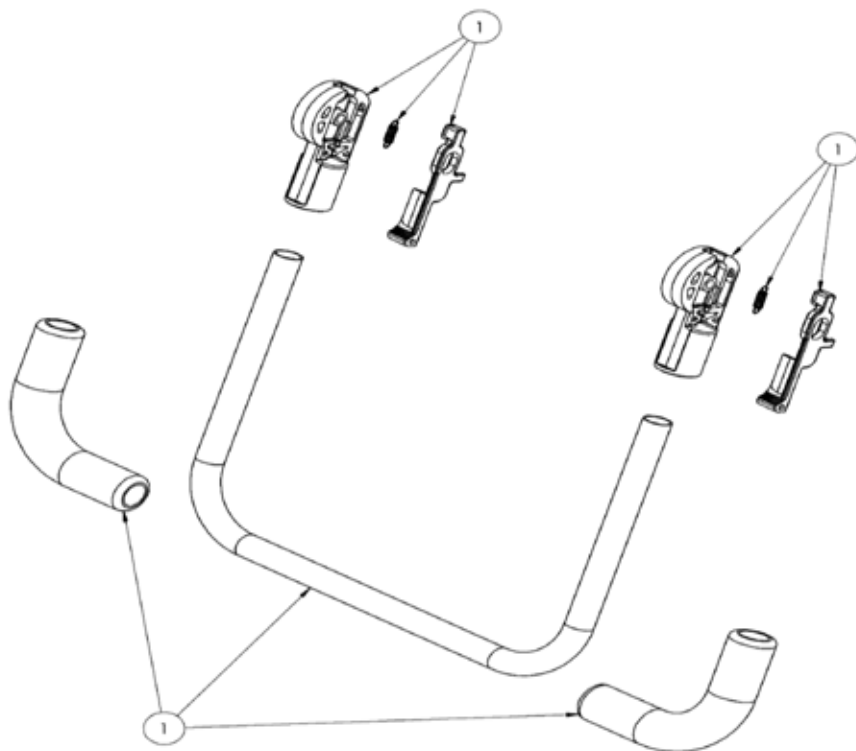
# Leckey Advanced Bath Chair: **Frame Assembly**



Pos.	Leckey Sales Code	Description	Min. Order Qty
1	RAP-4-1955	Backrest Assembly Size 1	1
	RAP-4-2955	Backrest Assembly Size 2	1
	RAP-4-3955	Backrest Assembly Size 3	1
	RAP-4-4955	Backrest Assembly Size 4	1
2	RAP-4-1956	Side Moulding Assembly Size 1	1
	RAP-4-2957	Side Moulding Assembly Size 2	1
	RAP-4-3958	Side Moulding Assembly Size 3	1
	RAP-4-4959	Side Moulding Assembly Size 4	1
3	RAP-4-1900	Lower Leg Assembly Size 1 - 4	1
4	RAP-4-1957	Knee Roll Assembly Size 1 - 4	1
5	RAP-4-1958	Calf Support Assembly Size 1 & 2	1
	RAP-4-3958	Calf Support Assembly Size 3 & 4	1
6	RAP-4-1064	Belt Plate Size 1 - 4	1

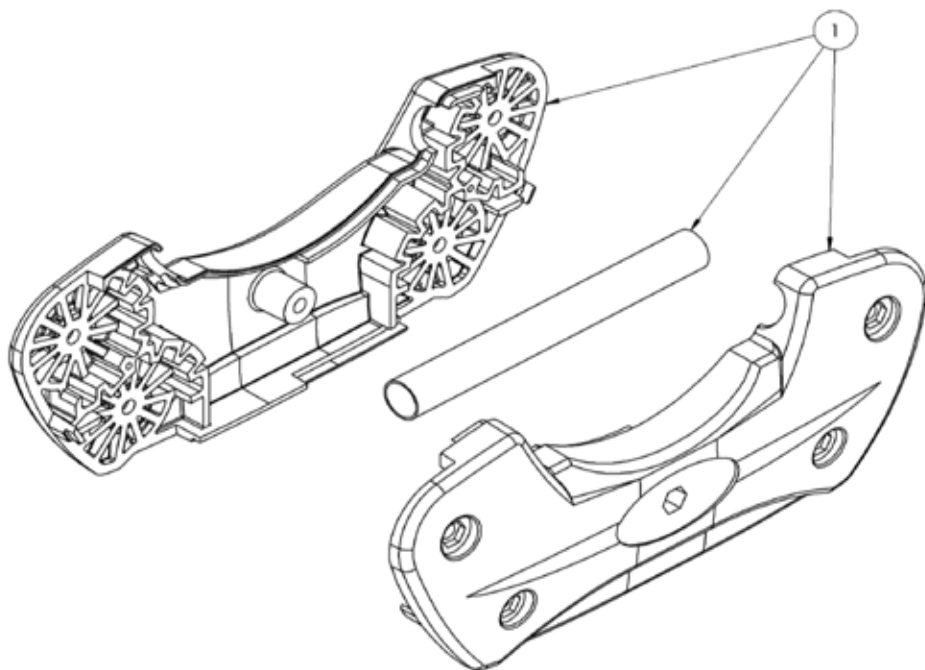
# Leckey Advanced Bath Chair: Lower Leg Assembly

---



Pos.	Leckey Sales Code	Description	Min. Order Qty
1	RAP-4-1900	Lower Leg Assembly Size 1 - 4	1

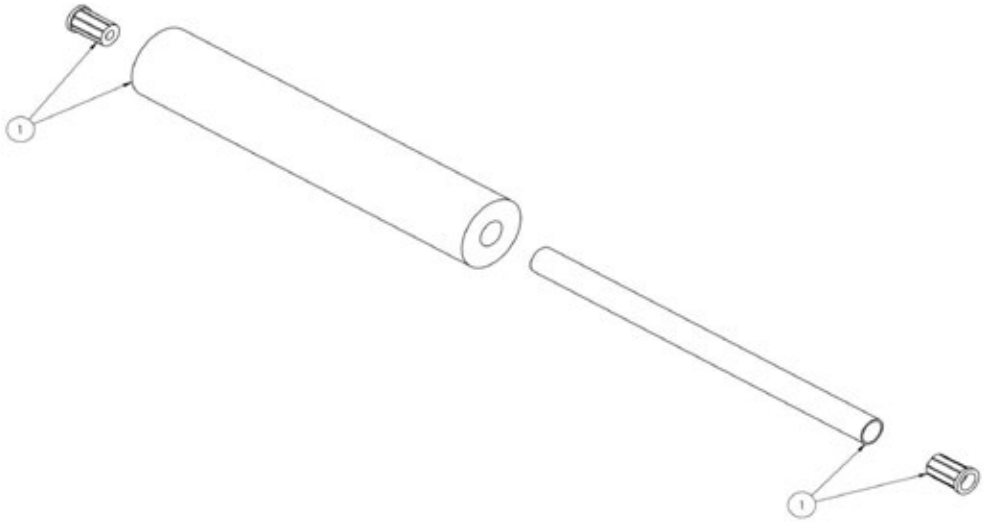
# Leckey Advanced Bath Chair: **Side Moulding Assembly**



Pos.	Leckey Sales Code	Description	Min. Order Qty
1	RAP-4-1956	Side Moulding Assembly Size 1	1
	RAP-4-2957	Side Moulding Assembly Size 2	1
	RAP-4-3958	Side Moulding Assembly Size 3	1
	RAP-4-4959	Side Moulding Assembly Size 4	1

# Leckey Advanced Bath Chair: Knee Roll Assembly

---



Pos.	Leckey Sales Code	Description	Min. Order Qty
1	RAP-4-1957	Knee Roll Assembly Size 1 - 4	1