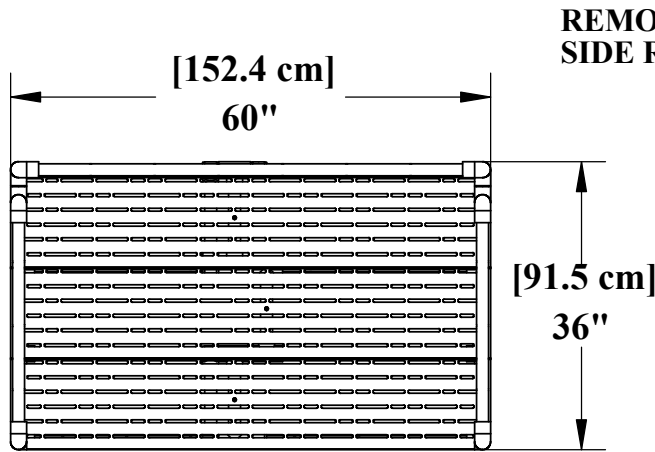
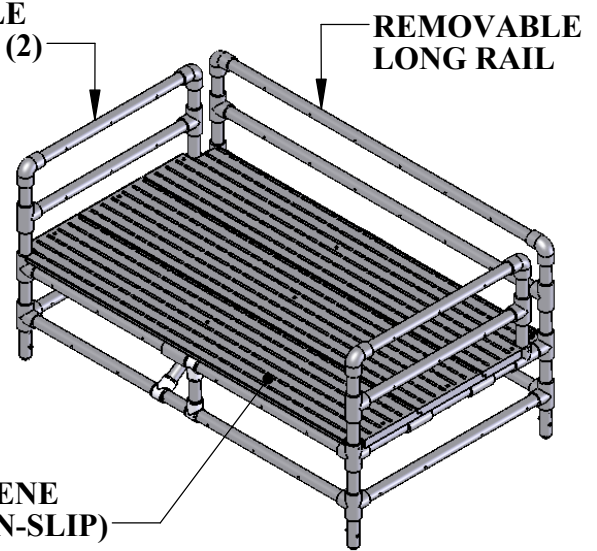


# TODDLER TRAINING PLATFORM

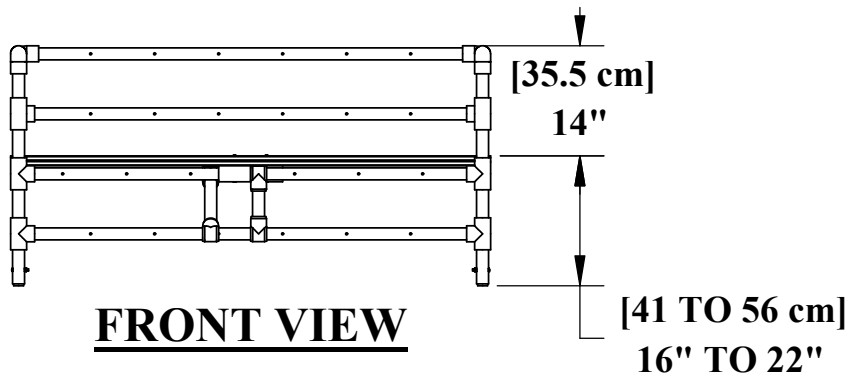


**TOP VIEW**

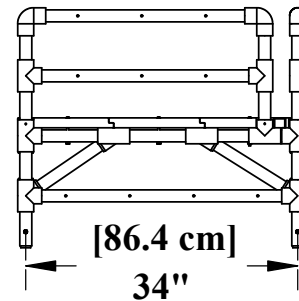


**POLYPROPYLENE DECKING (NON-SLIP)**

**ISO VIEW**



**FRONT VIEW**

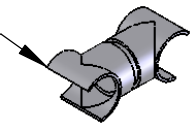


**SIDE VIEW**

**SPECIFICATIONS:**

THE AQUA CREEK TODDLER TRAINING PLATFORM SHALL BE CONSTRUCTED FROM  $\phi$ 1-1/2" O.D. [ $\phi$ 3.8cm] PVC PIPE AND STAINLESS STEEL HARDWARE. THE TODDLER TRAINING PLATFORM SHALL HAVE A WEIGHT LIMIT OF 250 LBS [113 kg]. THE TODDLER TRAINING PLATFORM SHALL HAVE FOUR (4) ADJUSTABLE FEET, ALLOWING THE DECK HEIGHT TO BE ADJUSTED OVER A 6" [15 cm] RANGE. THE DECK SHALL BE MADE OF PERFORATED POLYPROPYLENE DECKING WITH A NON-SLIP SURFACE. THE TODDLER TRAINING PLATFORM SHALL INCLUDE TWO (2) FREE-SLIDING TEE'S WITH SNAP FITTING ENDS.

SNAP-FITTING END



- TUBING: 1.5" [3.8 cm] O.D. x .145" [3.7 mm] WALL PVC TUBING
- FITTINGS: SOLID PVC
- DECK BOLTS: 1/4" x 3" BUTTON HEAD CAP SCREWS, STAINLESS STEEL
- DECKING: 1-1/4" [3.2 cm] THK. PERFORATED POLYPROPYLENE W/NON-SLIP SURFACE



9889 GARRY MORE LANE  
 MISSOULA, MT 59808  
 (406) 549-0769  
 FAX (406) 549-2602

NOTE:  
 \*SPECIFICATIONS ARE SUBJECT TO CHANGE WITHOUT NOTICE  
 \*ALL DIMENSIONS ARE IN INCHES

PRODUCT:		F-202TTP	
DWG #:		F-202TTP-1	
SCALE:	1:24	DATE:	9/12/08
DRAWN BY:	DS	REVISION:	A