

# 425-TS-CCS-3019-PWS

PORTABLE TUB/SHOWER SEAT W/CLAMP & CURTAIN SLOT

VERSABLE  
VERSABLE  
DESIGNS

## Construction

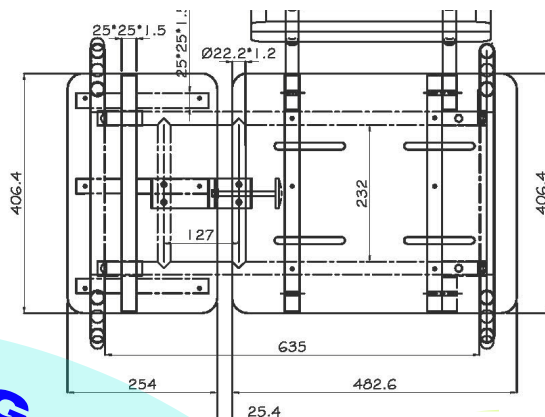
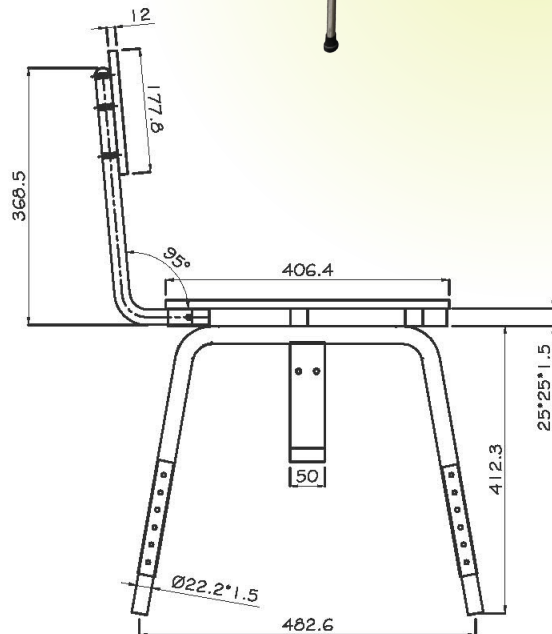
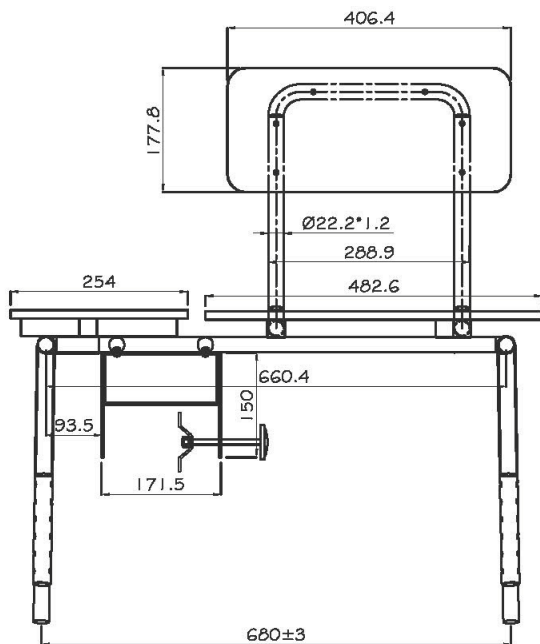
- 304-SS Frame
- Solid Phenolic Top - White

## Benefits

- ADA Compliant
- Adjustable feet
- Supports 500 lbs
- Allows curtain closure

## Installation

- Attach legs & back with provided hardware
- Adjust feet to level seat surface
- For tub use tighten clamp securely to tub
- Assembly hardware included



ENABLING  
INDEPENDENCE